



US006102916A

**United States Patent** [19]  
**Masini**

[11] **Patent Number:** **6,102,916**  
[45] **Date of Patent:** **Aug. 15, 2000**

- [54] **BONE CUTTING GUIDES WITH REMOVABLE HOUSINGS FOR USE IN THE IMPLANTATION OF PROSTHETIC JOINT COMPONENTS**
- [75] Inventor: **Michael A. Masini**, Ann Arbor, Mich.
- [73] Assignee: **MedIdea, LLC**, Ann Arbor, Mich.
- [21] Appl. No.: **09/272,546**
- [22] Filed: **Apr. 1, 1999**

5,702,460 12/1997 Carls et al. .... 606/88

*Primary Examiner*—Michael Buiz  
*Assistant Examiner*—Julian W. Woo  
*Attorney, Agent, or Firm*—Gifford, Krass, Groh, Sprinkle, Anderson & Citkowski, PC

[57] **ABSTRACT**

Improved bone cutting guides enable a surgeon to better gauge required resection characteristics. In one embodiment at least a portion of the guide is transparent, thereby enabling the user to optimize cut estimates and to visualize the resection as it is being performed. In another embodiment, at least a portion of the outer surface of the body is shaped to interact with another bone or prosthetic element associated with a joint, thereby enabling the device to function both as a trial and as a cutting guide. In this embodiment as well the guide may be at least partially transparent to improve visualization. Although primarily intended for use in femoral-side knee arthroplasty, the invention is applicable to any procedure which might benefit from improved bone-cutting accuracy.

**Related U.S. Application Data**

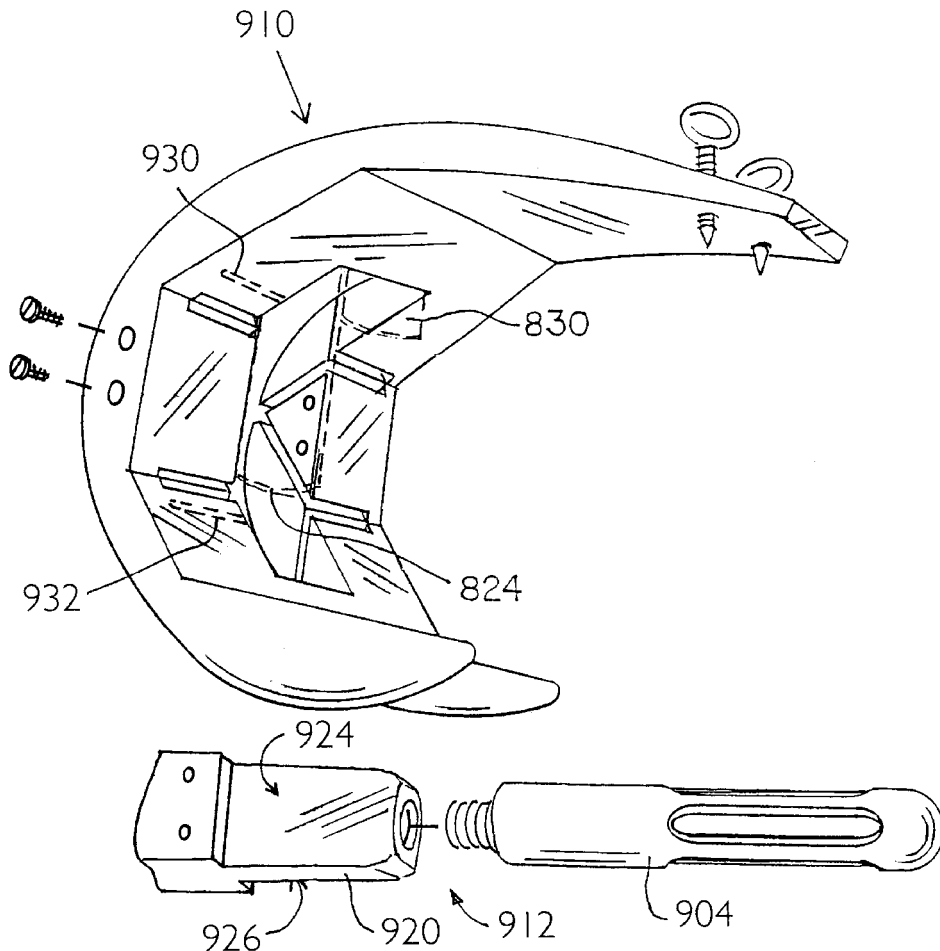
- [63] Continuation of application No. 08/933,255, Sep. 18, 1997, Pat. No. 5,885,296, which is a continuation-in-part of application No. 08/556,812, Nov. 2, 1995, Pat. No. 5,716,361.
- [51] **Int. Cl.<sup>7</sup>** ..... **A61B 17/56**
- [52] **U.S. Cl.** ..... **606/88; 606/87**
- [58] **Field of Search** ..... 606/86, 82, 88, 606/87

**References Cited**

**U.S. PATENT DOCUMENTS**

- [56] 5,690,637 11/1997 Wen et al. .... 606/86

**1 Claim, 7 Drawing Sheets**



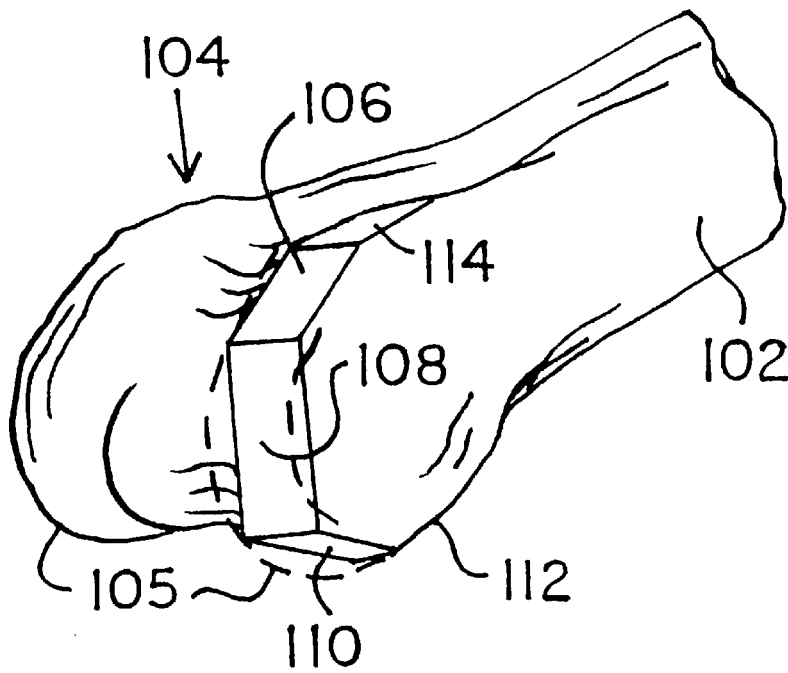


FIG-1  
(PRIOR ART)

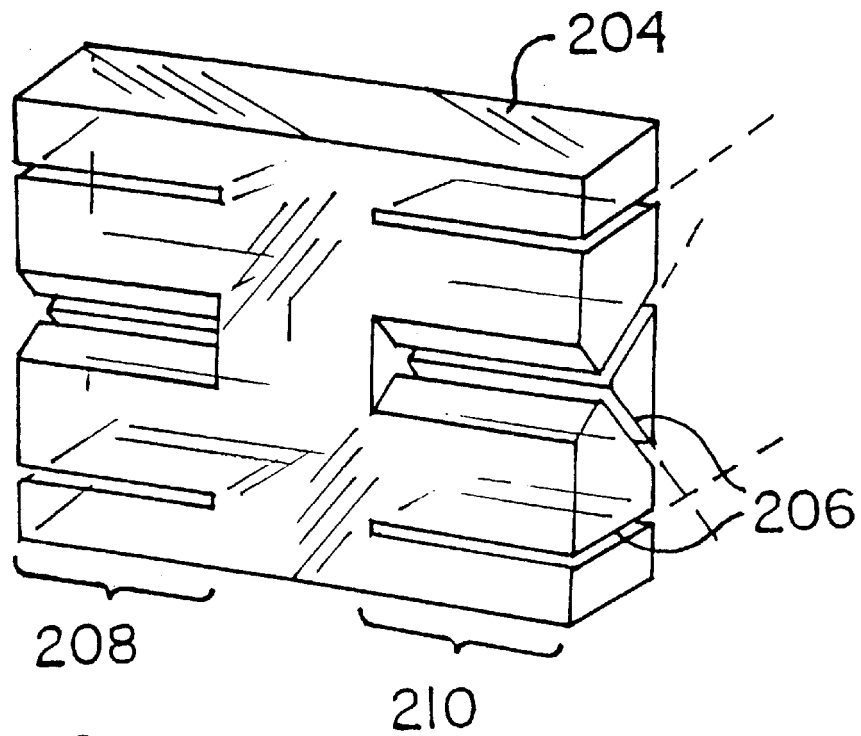


FIG-2

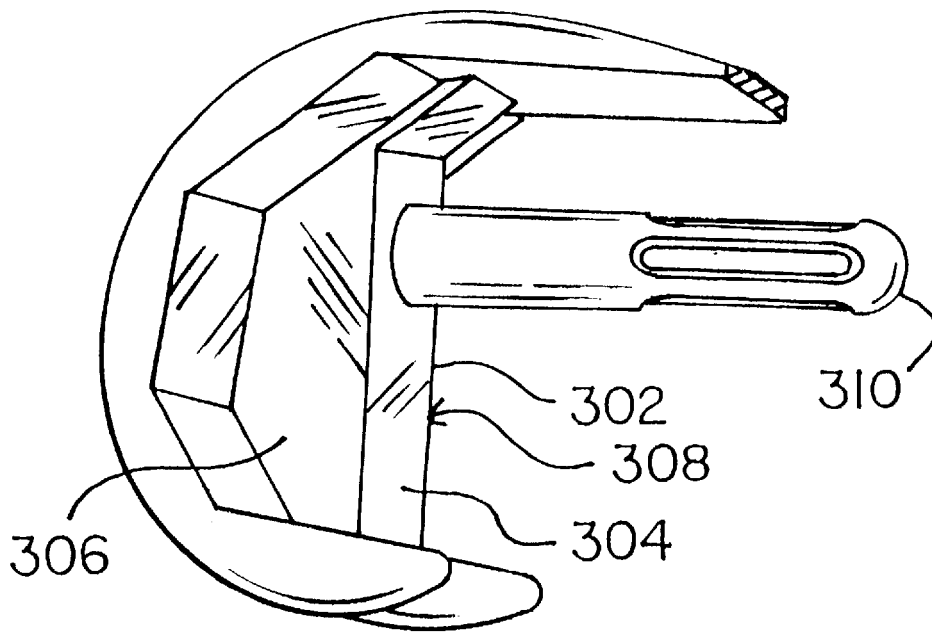


FIG- 3  
(PRIOR ART)

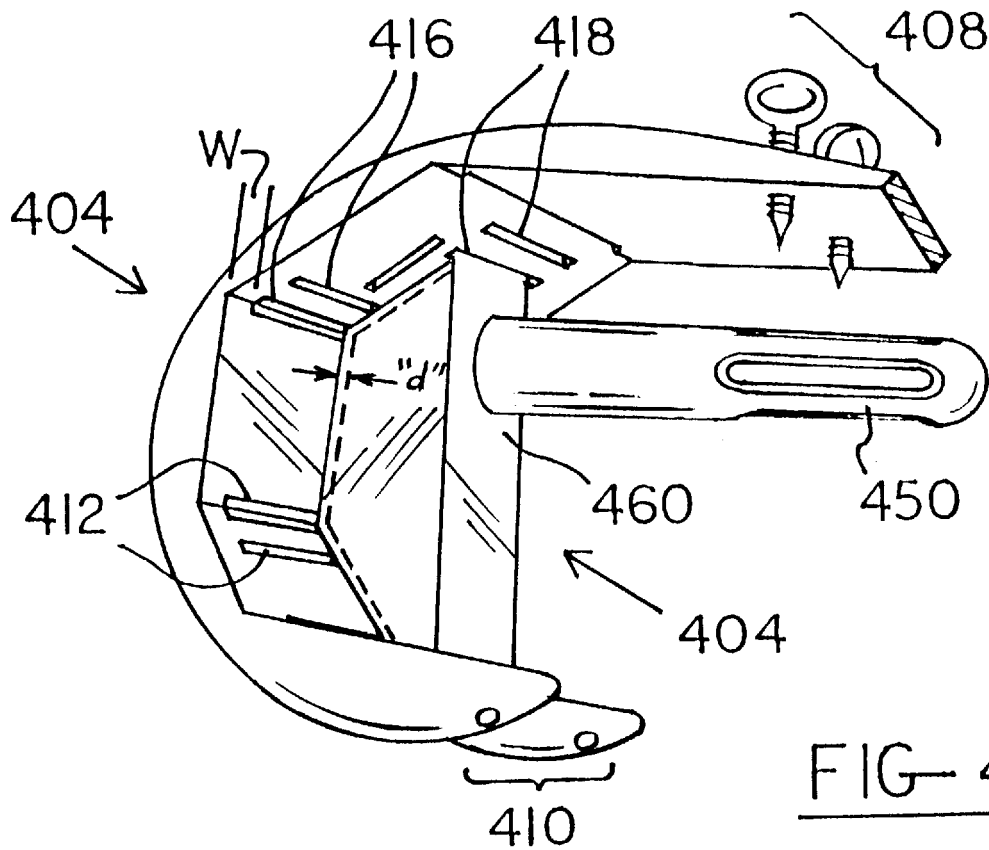


FIG- 4

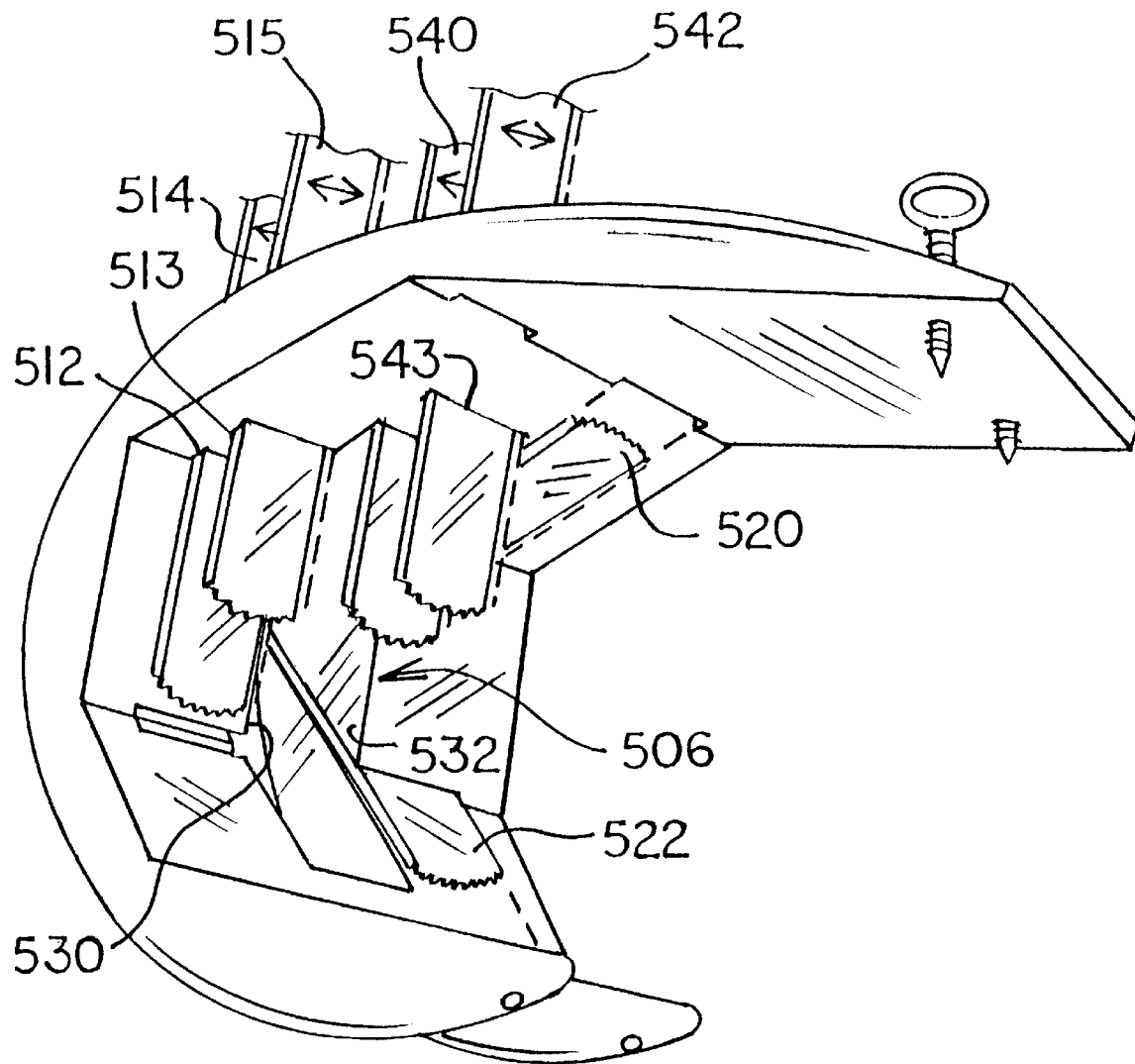


FIG-5

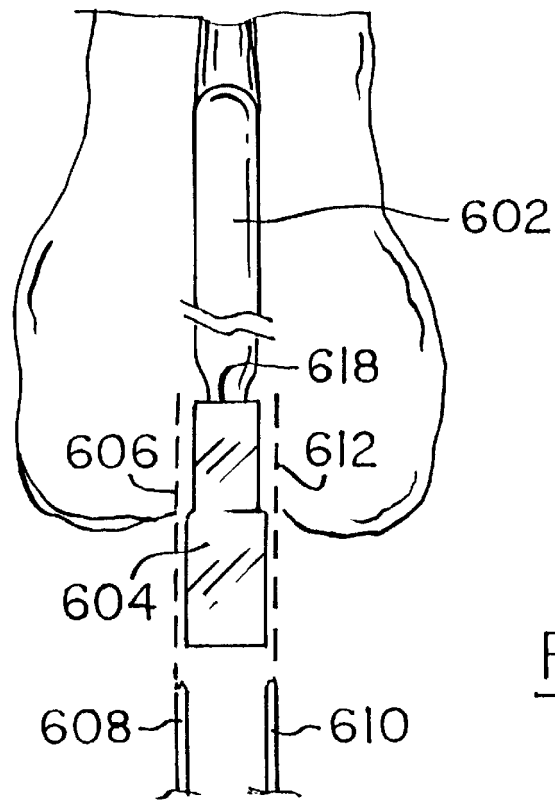


FIG-6

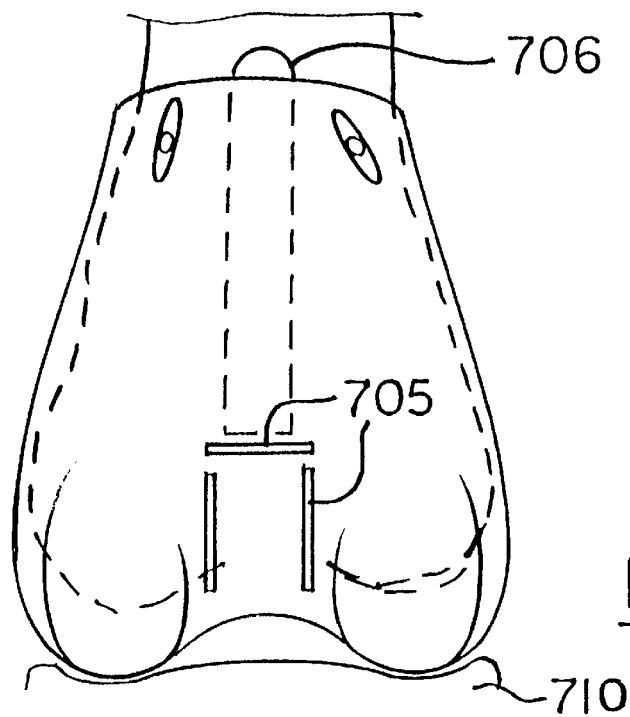


FIG-7

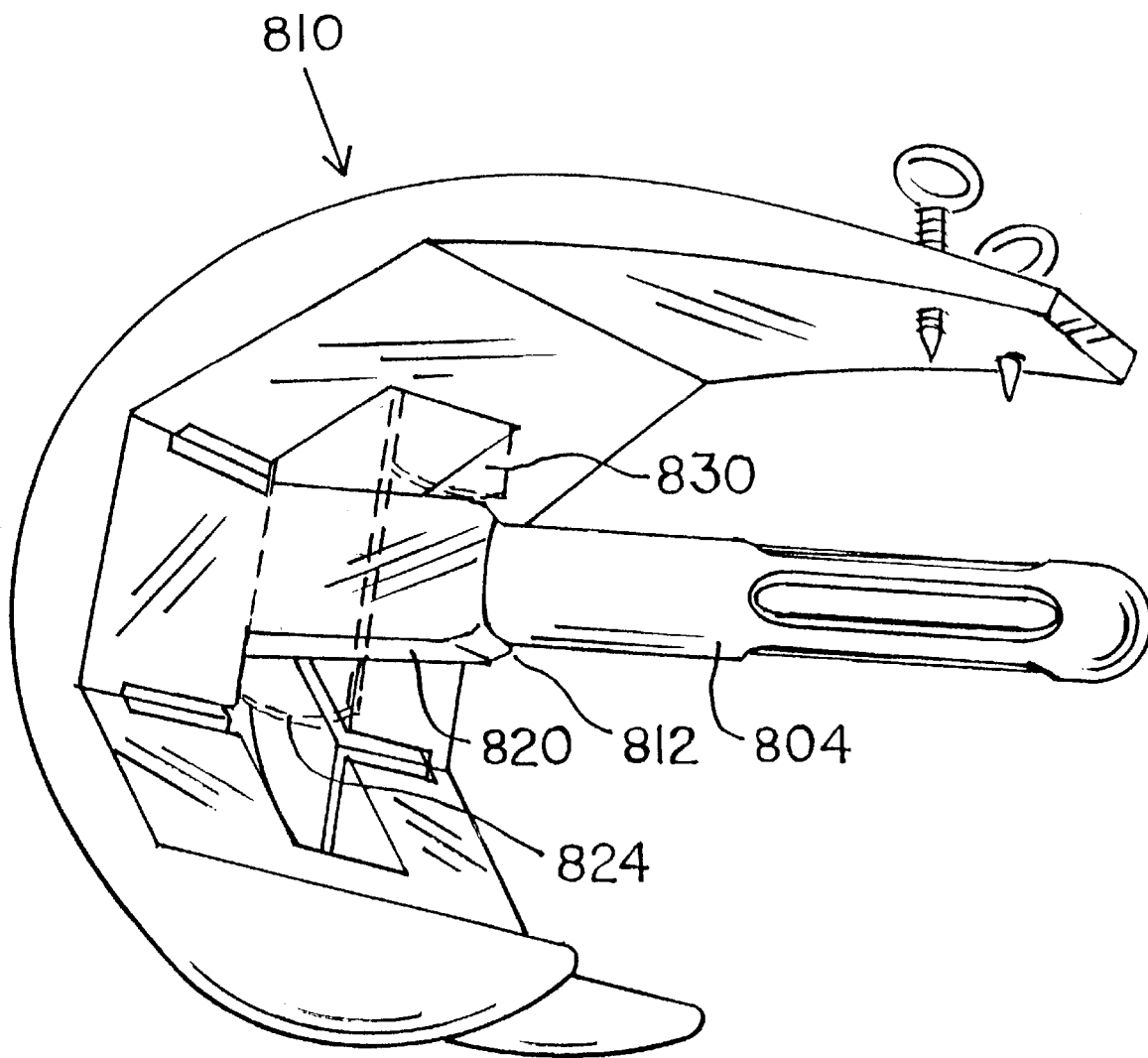


FIG-8

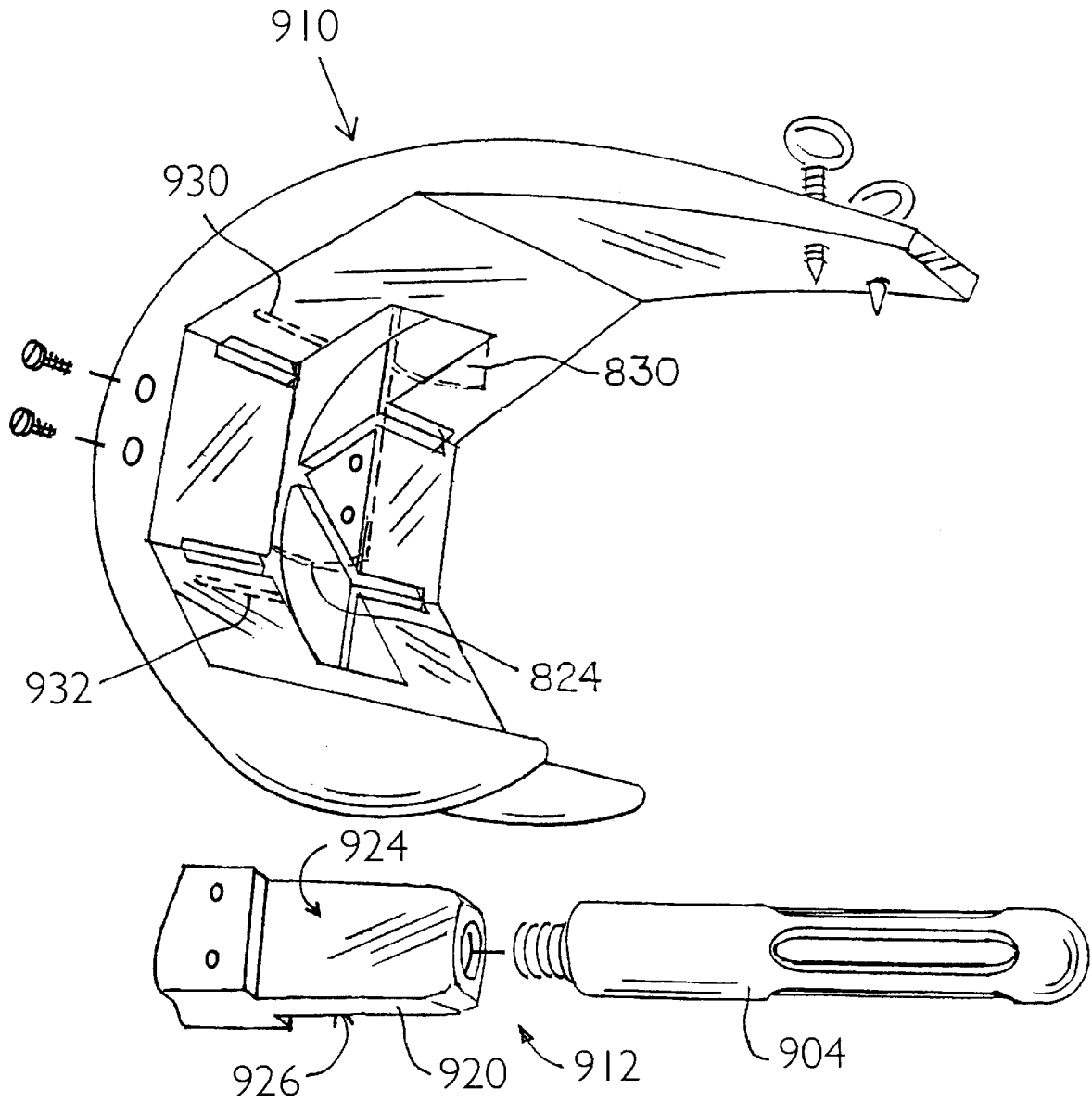


FIG- 9

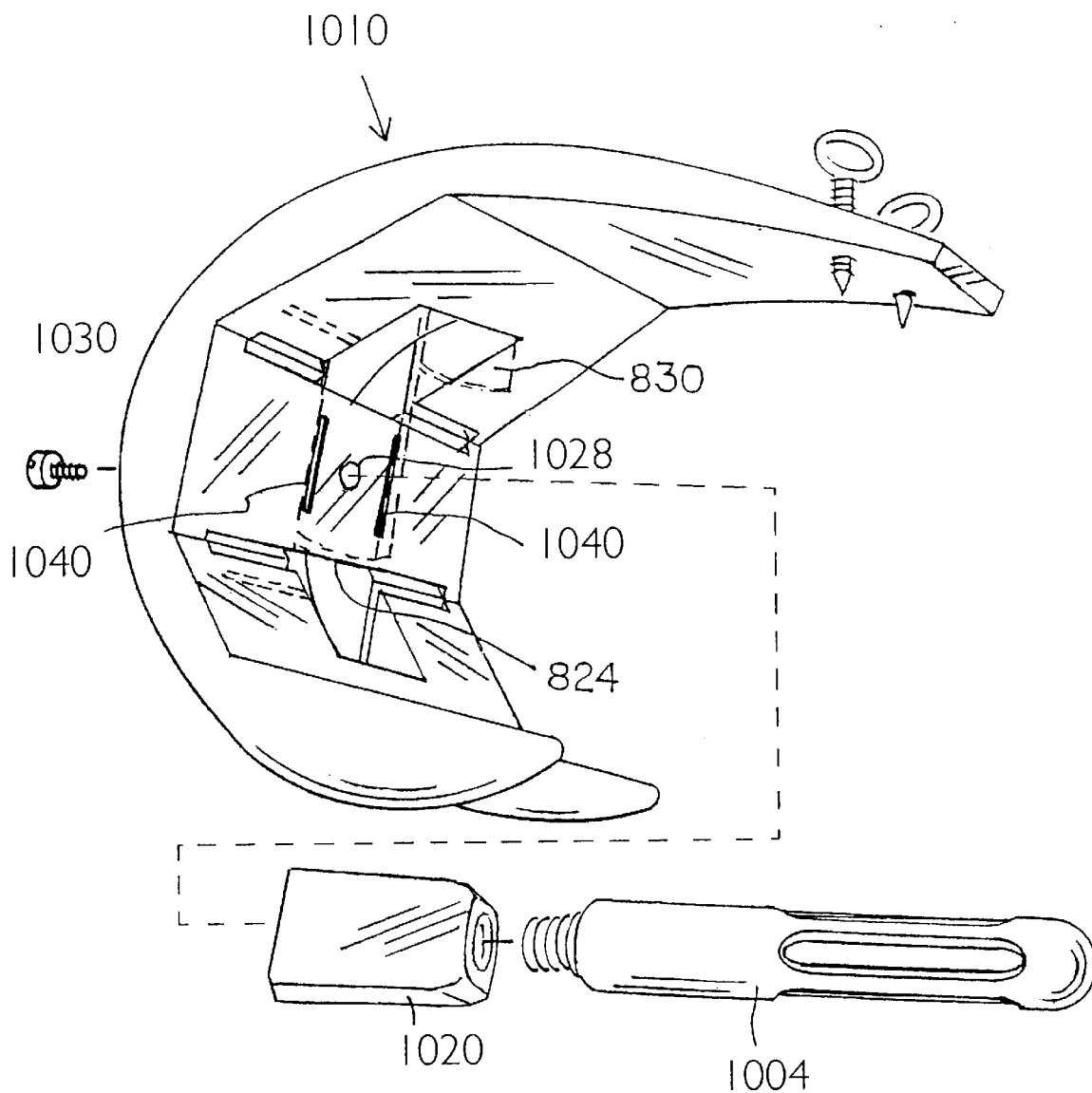


FIG- 10



## BONE CUTTING GUIDES WITH REMOVABLE HOUSINGS FOR USE IN THE IMPLANTATION OF PROSTHETIC JOINT COMPONENTS

### REFERENCE TO RELATED APPLICATION

This application is a continuation of application Ser. No. 08/933,255, filed Sep. 18, 1997, now U.S. Pat. No. 5,885,296 which is a continuation-in-part of application Ser. No. 08/556,812, filed Nov. 2, 1995 now U.S. Pat. No. 5,716,361.

This is a continuation-in-part of co-pending U.S. patent application Ser. No. 08/556,812, filed Nov. 2, 1995.

### FIELD OF THE INVENTION

This invention concerns arthroplasty, and, more particularly, resides in improved cutting guides having features to better assist a surgeon in preparing a bone, for example, to receive an implant.

### BACKGROUND OF THE INVENTION

Whether for primary or revision arthroplasty, cutting guides are typically employed to ensure that the bone saw performs resections corresponding to mating surfaces of the prosthetic component. For example, in a femoral knee replacement, cutting guides or blocks are temporarily secured to the distal end of the femoral shaft, and include slots into which the blade of an oscillating saw is inserted to shape the end of the bone in accordance with corresponding surfaces of the prosthetic element.

In the case of a revision, the procedure is usually more elaborate due to deterioration of the previously prepared surfaces resulting from decomposition of the bone/prosthesis interface, necrosis, and other factors. Cutting blocks are also typically used in revision procedures, though bone deficiency often renders stabilization of the block impossible. In addition, if the cutting block includes a stem, the positioning of the stemmed implant can alter the fit of the final prosthesis relative to the bone. More recently introduced techniques attempt to base the cuts on an intramedullary guide to which additional cutting blocks are mounted. Though such approaches improve bone cutting accuracy, there remains an unacceptable margin of error, the correction of which in some cases requiring a freehand shaping of the bone.

### SUMMARY OF THE INVENTION

The present invention accordingly provides improved cutting guides which enable one performing a resection to better predict and execute required cut characteristics. Broadly, at least a portion of the body comprising the cutting guide is transparent, thereby enabling the practitioner to better estimate cut depth and/or visualize the resection as it is being performed. Preferably one or more slots are used to guide a cutting saw, with the volume of the body surrounding the slots being transparent.

In one embodiment, at least a portion of the outer surface of the body is further shaped to interact with another bone or prosthetic element as part of a joint, thereby enabling the device to function both as a trial and as a cutting guide. For example, if adapted for use in femoral knee arthroplasty, the outer shape of the body may include condylar protrusions which cooperate with corresponding tibial surfaces or prosthetic inserts. In this combination trial/cutting-guide embodiment the device may likewise advantageously be at least partially transparent to assist in estimating cut orien-

tion or depth, and to visualize a particular resection in progress. Although primarily intended for use in conjunction with preparing a bone surface to receive a prosthetic component, the invention is applicable to any bone-cutting procedure which might benefit from improved accuracy.

### BRIEF DESCRIPTION OF THE DRAWINGS

FIG. 1 is an oblique drawing of the distal end of a femur, showing some of the resections typically used in conjunction with prosthetic implantation;

FIG. 2 is an oblique drawing of a cutting guide adapted for primary femoral knee arthroplasty which, according to the invention, is constructed of transparent material;

FIG. 3 is an oblique drawing of an existing prosthetic component adapted for mounting on the distal end of the femoral shaft including an intercondylar box structure;

FIG. 4 is an improved cutting guide according to the invention, which includes outer surfaces appropriate to trial testing combined with cutting guides to facilitate efficient resection;

FIG. 5 illustrates from an oblique perspective an alternative embodiment of the invention which facilitates box cuts if not already present;

FIG. 6 is a top view of yet a further alternative embodiment of the invention involving the use of a box-cutting implement which may be removed from an implanted stem onto which a combination trial and cutting guide may subsequently be installed;

FIG. 7 is a top view drawing of the combination trial/cutting guide referenced above with regard to FIG. 6, now in position on the implanted stem;

FIG. 8 is yet a further alternative embodiment of the invention including a stem configuration which facilitates at least partial box cut formation along with guides for other resections in a femoral knee application;

FIG. 9 illustrates yet another alternative embodiment of the invention wherein an intercondylar housing may be removed; and

FIG. 10 shows an alternative removable intercondylar housing according to the invention.

### DETAILED DESCRIPTION OF THE PREFERRED EMBODIMENTS

In FIG. 1 there is depicted a distal end portion **104** of a femur **102**, which terminates in two bulbous protrusions **105** termed the medial and lateral condyles, which mate and engage with corresponding surfaces in the proximal end of the tibia. As a result of disease or injury, these mating surfaces, ordinarily smooth and cushioned by an intervening cartilage layer, disintegrate and/or become misshapen, resulting in restricted movement and pain.

To ameliorate these conditions, the orthopedic surgeon removes the unhealthy bone stock and replaces it with one or more metallic components which adhere to appropriately prepared bone surfaces and approximate the outer, cortical layer of a healthy bone. To prepare the existing damaged or diseased bone to accept the implant components, various resections are made in a predetermined manner in correspondence with the inner surfaces of the implant. Using the femoral example of FIG. 1, a saw guide is used to form resected surfaces resulting from an anterior chamfer cut **106**, distal femoral articular surface cut **108**, posterior chamfer cut **110**, posterior-articular surface cut **112**, and/or anterior articular surface cut **114**, which is typically performed prior

to the articular chamfer cut. Although these cuts represent resections made in conjunction with a standard implant technique, more, fewer or different surfaces may be required, depending upon the level of deterioration or other circumstances.

Depending upon the saw guide used, either the cuts associated with only one of the condyles may be resected, or, alternatively, a guide having a dual set of slots may be utilized to trim both condyles simultaneously. A singular type fixture is shown, for example, in U.S. Pat. No. 5,122,144, whereas guides having double sets of slots are shown in U.S. Pat. Nos. 5,129,909 and 5,364,401. Numerous other examples are evident in the prior art, some of which are in commercial usage. The cuts associated with revision arthroplasty of the femoral component in a knee replacement are similar to those depicted in FIG. 1, though now additional bone stock must be removed, and additional cuts closer to the central axis of the bone are typically made to accommodate a one-piece replacement unit having an intercondylar strengthening structure and posts extending therefrom for intramedullary implantation. Such a revision knee prosthesis is shown, for example, in U.S. Pat. No. 4,936,847.

Whether for primary or revision arthroplasty, the saw guides involved are without exception now constructed of metal, and they are therefore visually opaque. This results in a substantial piece of hardware which may be washed, sterilized and used repeatedly in numerous procedures, but, being opaque, the orthopedic surgeon is simply unable to see what he or she is doing while making the various bony cuts. As a result, it is often standard practice to make one or more cuts with the guide in place, then move the guide aside in order to view the interface, to ensure that sufficient bone has been removed to facilitate the most ideal cement interface between the resected bone and implant component. This trial-and-error process not only consumes valuable time during the operation, but may lead to the removal of more bone stock than necessary to achieve fixation.

During revision arthroplasty, such trial-and-error is that much more complicated and arduous, owing to the increased number of resected surfaces involved, and the need to ensure that these surfaces and the medullary stem are all properly aligned during the testing of trial implants and the attachment of the final prosthetic device. In the event of a misalignment, the surgeon may choose to use a final implant having a smaller than optimal diameter stem, for example, to take up the slack upon discovering a slight misalignment with respect to the stem and the resected surfaces. This, in turn, may lead to an undesirable "play" between the stem of the prosthesis and the reamed medullary canal, and/or the need for medullary cementation which might otherwise be unnecessary.

According to this invention, then, improved cutting guides are provided to better assist the surgeon in performing accurate resections in an efficient manner. For example, guides adapted for use with primary arthroplasty have transparent features according to this invention, at least in the vicinity of the saw-receiving slots, thus enabling the surgeon to visualize the way in which the existing bone makes contact with the inner surfaces of the guide, and therefore facilitates a much more exacting initial set of cuts, in most cases, ideally eliminating trial-and-error entirely. In the case of revision work, the cutting guide itself contains condylar and other outer surfaces enabling it to function both as a cutting guide and as a trial. Accordingly, once an initial trial procedure is carried out, the various resections may be performed, with a greater likelihood that they will be properly located, thereby increasing accuracy. Although a

revision guide according to this invention need not be transparent, the combination of a combined trial/cutting guide constructed of a transparent material is preferred to realize the advantages set forth above.

FIG. 2 illustrates one version of a cutting block constructed in accordance with the invention, in this case a guide for use in making initial articular surface and chamfer cuts. Positioning of the block assumes the surgeon has first made a distal femoral articular surface cut against which the backside (not shown) of block 204 is seated while making these further resections, the chamfer cuts being angular with respect thereto. This block 204 may be held against the bone through any attachment or stabilization means, including screws, pins, braces or other fixtures so long as the guide is appropriately secured. Importantly, and unlike all existing guides of this type, at least the right and left portions 208 and 210 are composed of a transparent material, and, preferably, the entire unit is clear and constructed of acrylic, polycarbonate or any other plastic or material substantial enough to withstand the oscillations of a bone saw or other cutting tool, yet sufficiently transparent to enable a surgeon to visualize the surfaces to be resected in conjunction with a particular procedure. Preferably, this unit and others to be described of a cast plastic material such as acrylic or Lucite, having polished surfaces, where necessary, to improve visualization.

In the case of primary arthroplasty, a cutting guide according to the invention need not assume the characteristics of that shown in FIG. 2, but may assume any suitable form and may be used for any bone-forming purpose, whether or not resulting from trauma. For example, the unit may resemble that shown in FIG. 20 of U.S. Pat. No. 5,234,433, which further includes a guide slot to accommodate not only the cuts just described, but, in addition, the distal femoral articular surface cut creating surface 108 in FIG. 1. For that matter, the broad principles of this invention are applicable to any type of cutting fixture, whether slotted or otherwise, adapted for use for prosthetic resection which might benefit from having any transparent portions or panels to assist the surgeon in better visualizing the bone preparation process. This embodiment and those discussed below may also be adapted for use with cutting tools other than saw blades, including osteotomes, router bits, etc.

Reference will now be made to FIGS. 3-8, which represent embodiments of the invention more suitable to revision arthroplasty. Before discussing the improved devices and methods made possible through the invention, however, existing approaches will first be discussed with particular regard to femoral knee surgery. In preparing the femur for a revision implant, the procedure may typically first include a drilling and reaming of the medullary canal to accept a sleeve and rod which extends outward and past the distal tip of the femoral shaft, and onto which various components are temporarily secured and stabilized to facilitate the various resections. For example, to perform the distal revision resection, an outrigger may be secured to the protruding stem and onto this placed a revision distal femoral cutting block, typically further secured with pins, screws, or other means engaged with the anterior cortex. Such a distal cutting guide typically includes various slots on either side to accommodate the lateral and medial resections at different depths according to the level of bone loss on either side.

Having prepared the distal surfaces, this first cutting block is removed and an anterior/posterior cutting block is installed onto the stem along with spacers in the event of different depths of the lateral and medial distal resections. With the anterior/posterior cutting block secured in place,

again with pins or screws, the anterior and posterolateral lateral cuts are made. Although the anterior cut is typically easily visualized as this region of the femoral shaft is fully exposed during the procedure, as with the lateral resection (s), the posterolateral and posteromedial cuts are almost entirely hidden from view. Once the anterior and posterior resections are carried out, the cutting guide associated therewith is typically removed, and onto the medullary stem there is placed yet another guide used to perform notch and chamfer resections.

FIG. 3 illustrates a typical prior-art revision implant, and additionally shows the orientation of the notch or "box" cuts to accommodate the intercondylar structure 302, which includes a transverse surface 304 and side surfaces 306 and 308 (not visible). The structure is box-shaped so that flat saw blades may be used to resect the bone and provide a more intimate and stable interface. As discussed above, this box-like structure 302 provides strengthening between the two condylar halves, and allows room for superior post protrusion in posterior-stabilized designs. The structure 302 also supports the stem 310, which is threadingly or compress-fit thereinto. A notch and chamfer cutting guide is typically used for the chamfer cuts and the cuts associated with the sides 306 and 308 of the intercondylar box, although the stem is typically removed to perform proximal anterior chamfer resections. The stem of the fixture must also be removed in order to make the transverse cut corresponding to the surface 304.

Once all such guides or their equivalents have been used for the various cuts, the orthopedic surgeon typically must further progress through a trial reduction procedure which has matching inner surfaces, but varying thicknesses between the inner surfaces and the outer joint surfaces, which are each tested, in turn, to ensure a correct joint line and femur-to-tibia orientation. Trial polyethylene inserts are also selected to provide maximum range of motion and stability, at which point the femoral component may be implanted, in some cases utilizing spacers to accommodate the depth of cut determined as a function of bone loss. Such spacers typically clip into place, as shown in FIGS. 1 through 4 of U.S. Pat. No. 4,936,847.

It should be evident from the steps just described, that numerous guides must be resorted to as part of a lengthy trial-and-error procedure which, even when carried out in a comprehensive manner, may lead to slight or even gross misalignments upon fixation of the final implant components. The present invention solves many of these problems by providing cutting guides having transparent sections enabling the surgeon to visualize the underlying bone stock before, during and after each resection. In the case of the revision situation, or as part of a primary procedure wherein cutting blocks have been used, the invention further eliminates the need for a protracted trial reduction procedure by providing a cutting guide in the shape of the final implant component, thereby ensuring that once the guide is removed, the final implant component will inherently match the executed resections, thereby saving considerable time while improving accuracy.

One version of a cutting block according to the invention for femoral knee revision work is depicted in FIG. 4. In this particular embodiment, a combination trial and cutting guide is provided under the assumption that box cuts have previously been made to accept the intercondylar structure 404. Broadly, in this case, the device includes one or more inner surfaces which are configured for correspondence with the resections carried out during the primary procedure, but, according to the invention, the device also includes outer

surfaces which approximate the trial prosthesis or final implant shape, including outer condyle surface protrusions, only one side of which is partially visible as 404 in the figure. The device also includes a femoral stem 450, which may be detachable, as well as means for temporarily securing the device to the distal end of the femoral shaft, such as thumb screws 408, which are adapted for engagement with anterior cortical regions, or, as an alternative, stabilization pin holes 410 associated with securing the device laterally or posteriorly. Any type of temporary securement means may be substituted for this optional feature, including tightening bands, outriggers, braces, or any combination of manually operated fasteners or pin-receiving holes or guides, so long as the unit is held in position throughout the procedure.

To simultaneously function as a cutting guide, the device of FIG. 4 also includes one or more slots such as 412 into which a conventional, oscillating saw blade may be inserted to perform a required resection. In the embodiment depicted in FIG. 4, the device is preferably somewhat wider than the final implant, by an amount depicted as "W" shown in the figure, to provide additional material beyond the slotted areas for greater structural stability. Inner surfaces of the device are proportioned, where necessary, by an amount "d" representative of the thickness of the cutting tool used to ensure that, once the combination trial/cutting guide is removed, the final implant mates accurately against the surfaces resected. Preferably the device accommodates sufficient slots and/or surfaces to perform all of the cuts necessary before the installation of a conventional revision prosthetic component, though alternative embodiments may include more or fewer such slots to accommodate a particular or specialized procedure. Depending upon the particular resection to be performed, multiple slots may also be provided to shape a particular surface, the depth of the slot finally relied upon being a function of bone deterioration in a particular region. For example, FIG. 4 shows a set of two slots 416 for the distal condylar cuts and two slots 418 associated with trimming the bottom of the box resections. Preferably, such multiple slots, which may be two or more, are separated by an amount related to existing spacers, for example, 4 mm.

It should already be apparent that the invention is suitable to femoral knee revision arthroplasty whether or not box cuts have been provided as part of a primary procedure. If provided, the device of FIG. 4 may be used directly; if not, the device of FIGS. 5-8 may alternatively be used. The structure shown in FIG. 5 is quite similar to that depicted in FIG. 4, except the box structure 404 has been replaced with a passageway 506. The device still includes outer condylar surfaces, however, enabling the device to be used as both a trial and a cutting guide. This figure also shows an oscillating saw blade being placed in different slots or against different surfaces to provide the requisite cuts. For example, saw blades 514 and 515 inserted through slots 512 or 513, may be used to form transverse intercondyle cuts, whereas, blades in positions 520 and 522 may be inserted for the chamfer cuts, and so on. In addition, although slots are not shown, by placing the blade against the surfaces 530 (not visible) and 532, cuts corresponding to the sides of the box structure may be performed. Blades in positions 540 and 542 may be used to make the bottom cuts associated with the box. In the case of position 540, the blade could rest against a surface (not shown) provided on the device, whereas a slot 543 may be provided for a deeper box bottom cut using blade 542.

FIGS. 6 and 7 illustrate a further alternative embodiment for accurately providing box cuts in the event that such cuts

were not performed previously. In FIG. 6, there is shown a block 604 removably attached to an implanted intermedullary stem 602. Once in place, a saw blade at position 608 may be moved along the left surface of the block 604 to make a side box cut 606, and a blade in position 610 may be moved along a right surface of the block 604 to make a box cut 612. As an alternative to the use of outer surfaces of a cutting block such as 604, a guide with slots may also be removably attached to the stem 602. To make the bottom cut of the box, a blade may be moved straight down into the page, riding against a rearward surface 618.

Now making reference to FIG. 7, a device similar to that depicted in FIG. 5 is shown generally at 702. Instead of providing a passageway 506 against which a flat saw may be placed to provide the box cuts, separate slots 705 are provided specifically for this purpose. This particular device may include a stem 706, but since the box cuts are not yet available, a trial is carried out in conjunction with a specialized tibial spacer 710 not having superior post protrusions should the joint configuration be stabilized in this manner. Once the cuts 705 are performed, the overall device may be removed from the stem 706, and, assuming the stem connection is sufficiently deep in the bone, the cut corresponding to the bottom of the box may be completed. Then a device such as that shown in FIG. 4 may be inserted, as required, to carry out any necessary subsequent resections.

FIG. 8 shows yet another further alternative embodiment of the invention. In this particular configuration, a stem 804 is provided, which is removably attachable to the bulk of the trial/cutting guide assembly 810 at an interface 812. As a compromise between the passageway 506 shown in FIG. 5 and the complete box structure 404 shown in FIG. 4, the stem 804 connects to a smaller box-shaped element 820, enabling a saw to be placed on either side to perform the side box cuts, as shown in phantom at 824 for the one side, or used from above to form the bottom surface of the box with a saw shown at position 830. Having carried out at least this partial bottom surface cut, the bulk of the element may be removed from the stem 804 at interface 812 and the saw in position 830 extending downwardly to finish off the bottom box surface cut. With the box cuts having been performed and with the stem 804 remaining in place, a device such as that shown in FIG. 4, with the stem 450 being removable from the box 404 at the interface 460, may then be installed and the remaining resections performed.

In FIG. 9 there is shown an alternative trial/cutting guide according to the invention depicted generally at 910, wherein an intercondylar housing 920 is removable, enabling the device 910 to be installed without having first reamed the intermedullary canal or performed any box cuts of the type associated with cruciate-sacrificing procedures. As such, the device 910 with the housing 920 removed may be used for primary as well as certain revision procedures and, with the housing 920 installed, may be used in conjunction with cruciate-sacrificing procedures. A stem 904 may be provided and removably attached through the housing 920 at an interface 912, through any suitable means such as Morse tapering, threaded connection, or otherwise, enabling a further penetration into the bone. The housing 920 may be secured to the body 910 through side screws 930, or through other suitable fastening means. The dimensions of the housing 920 may be appropriately sized to serve as a cutting tool guide in performing a box cut of the type associated with cruciate-sacrificing implants. Specifically, the surfaces 924 and 926 of the housing may be relieved to permit a sideways passage of the saw blade 824, as shown in FIG. 9.

As with the other embodiments of the invention, more or fewer slots than those shown in FIG. 9 may be provided. For instance, additional slots such as 930 and 932 may be provided to perform augment cuts. Additional sets of slots, not shown, may be provided elsewhere as well, as discussed with reference to FIGS. 1-8. Fewer guide surfaces may also be provided, and, indeed, the device 910 may contain no slots other than the central intercondylar aperture, since this aperture alone, particularly in conjunction with the removable housing 920, offers sufficient utility in making box cuts of the type associated with cruciate-sacrificing procedures, whether for primary or revision arthroplasty.

Now turning to FIG. 10, there is shown a yet an additional alternative embodiment of the invention, depicted generally at 1010, wherein solid material remains between the intercondylar structure, and wherein a housing 1020 attaches thereto, for example, through the use of a screw 1030 or other suitable means. As with the apparatus depicted in FIG. 9, a stem 1004 may be removably attached to the housing 1020, again, through Morse tapering, a threaded connection or other appropriate fastening means. In addition, as there is material remaining within the intercondylar area according to this embodiment of the invention, slots 1040 may be provided on either side of the housing 1020, enabling portions of the intercondylar box structure to be carried out by inserting a saw directly into the end of the device 1010.

In use, then, the invention affords a procedure which, in at least one respect, is essentially opposite to steps now being performed. That is, rather than making the various cuts (including the use of different saw guides), then performing a trial reduction, by using the present invention, in essence, a trial reduction is performed first with a trial having saw guide slots or surfaces. Once the various cuts have been made, the inventive combined trial/saw guide is removed, at which point the surgeon realizes precisely which final implant to choose for permanent affixation. Not only will the surgeon know which final prosthetic component to select, but he or she will also know which spacers to use based upon the depth of slot used for the cut, and, since the combined trial/saw guide of this invention may be constructed with prior knowledge of the final implant configuration, misalignments of the type discussed earlier with regard to the implant stem are minimized. Due to the fact that a single guide may be used to perform numerous, accurate cuts, the invention should save considerable time while increasing the precision of both primary and revision arthroplasty in a wide variety of joint replacement and other orthopaedic situations including the tibial side of a knee replacement.

I claim:

1. A combination trial and bone-cutting guide for use in conjunction with a bone-cutting tool, comprising:

a shaped body having an inner surface adapted for temporary placement against a bone surface and an outer surface having medial and lateral condyles configured to co-act with a proximal tibia;

at least one slot extending through the body from the outer surface to the inner surface to guide the bone-cutting tool; and

a housing removably attached to a central, intercondylar region of the body, the housing including a box structure extending from the inner surface of the body penetrable at least partially into the bone surface and a distally oriented recess to receive a tibial protrusion of the type associated with the cruciate-sacrificing procedures.

\* \* \* \* \*