



US006682544B2

(12) **United States Patent**
Mastri et al.

(10) **Patent No.:** **US 6,682,544 B2**
(45) **Date of Patent:** ***Jan. 27, 2004**

(54) **ULTRASONIC CURVED BLADE**

3,086,288 A 4/1963 Balamuth et al.

(75) Inventors: **Dominick L. Mastri**, Bridgeport, CT (US); **Corbett W. Stone**, San Diego, CA (US)

(List continued on next page.)

FOREIGN PATENT DOCUMENTS

(73) Assignee: **United States Surgical Corporation**, Norwalk, CT (US)

DE	2032501	1/1972
EP	0394583	10/1990
EP	0 456 47 A1	11/1991
JP	61-181630 A2	8/1986
JP	1232949	1/1989

(*) Notice: Subject to any disclaimer, the term of this patent is extended or adjusted under 35 U.S.C. 154(b) by 0 days.

(List continued on next page.)

This patent is subject to a terminal disclaimer.

Primary Examiner—David O Reip

(57) **ABSTRACT**

(21) Appl. No.: **10/241,936**

An ultrasonic dissection and coagulation system for surgical use is provided. The system includes an ultrasonic instrument, a control module, and a remote actuator. The ultrasonic instrument has a housing and an elongated body portion extending from the housing. An ultrasonic transducer supported within the housing is operatively connected to a cutting jaw by a vibration coupler. The vibration coupler conducts high frequency vibration from the ultrasonic transducer to the cutting jaw. The cutting jaw has a blade surface which is curved downwardly and outwardly in the distal direction with respect to the longitudinal axis of the elongated body portion along its length such that an angle defined by a line drawn tangent to the blade surface and the longitudinal axis of the elongated body portion varies between 5 degrees and 75 degrees. A clamp member having a tissue contact surface is positioned adjacent to the cutting jaw and is movable from an open position in which the tissue contact surface is spaced from the blade surface to a clamped position in which the tissue contact surface is in close juxtaposed alignment with the blade surface to clamp tissue therebetween. The clamp member and the curved cutting jaw combine to enhance contact between tissue and the blade surface of the cutting jaw during cutting. Further, the continuously varying angle of the blade surface with respect to the longitudinal axis of the elongated body portion facilitates selective user control over the application of force on tissue during a cutting or dissecting procedure.

(22) Filed: **Sep. 11, 2002**

(65) **Prior Publication Data**

US 2003/0009186 A1 Jan. 9, 2003

Related U.S. Application Data

(63) Continuation of application No. 09/948,014, filed on Sep. 6, 2001, now Pat. No. 6,468,286, which is a continuation of application No. 09/604,877, filed on Jun. 28, 2000, now abandoned, which is a continuation of application No. 09/420,640, filed on Oct. 20, 1999, now abandoned, which is a continuation of application No. 08/911,205, filed on Aug. 14, 1997, now Pat. No. 6,024,750.

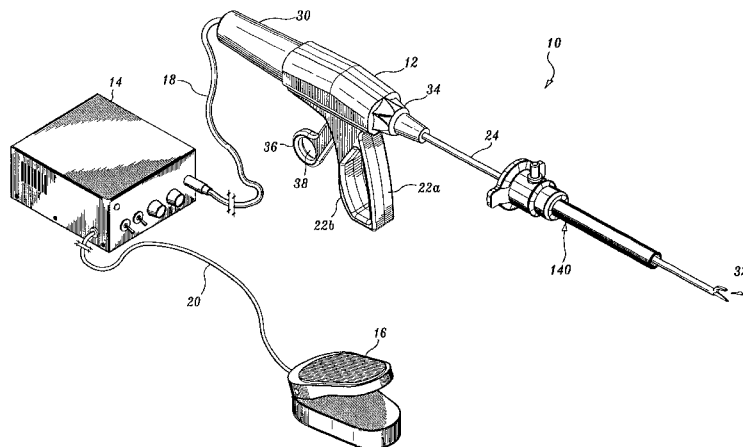
- (51) **Int. Cl.⁷** **A61B 17/32**
- (52) **U.S. Cl.** **606/169; 606/174; 606/39**
- (58) **Field of Search** **606/37, 39, 52, 606/167, 169, 170, 171, 174, 205, 206, 207**

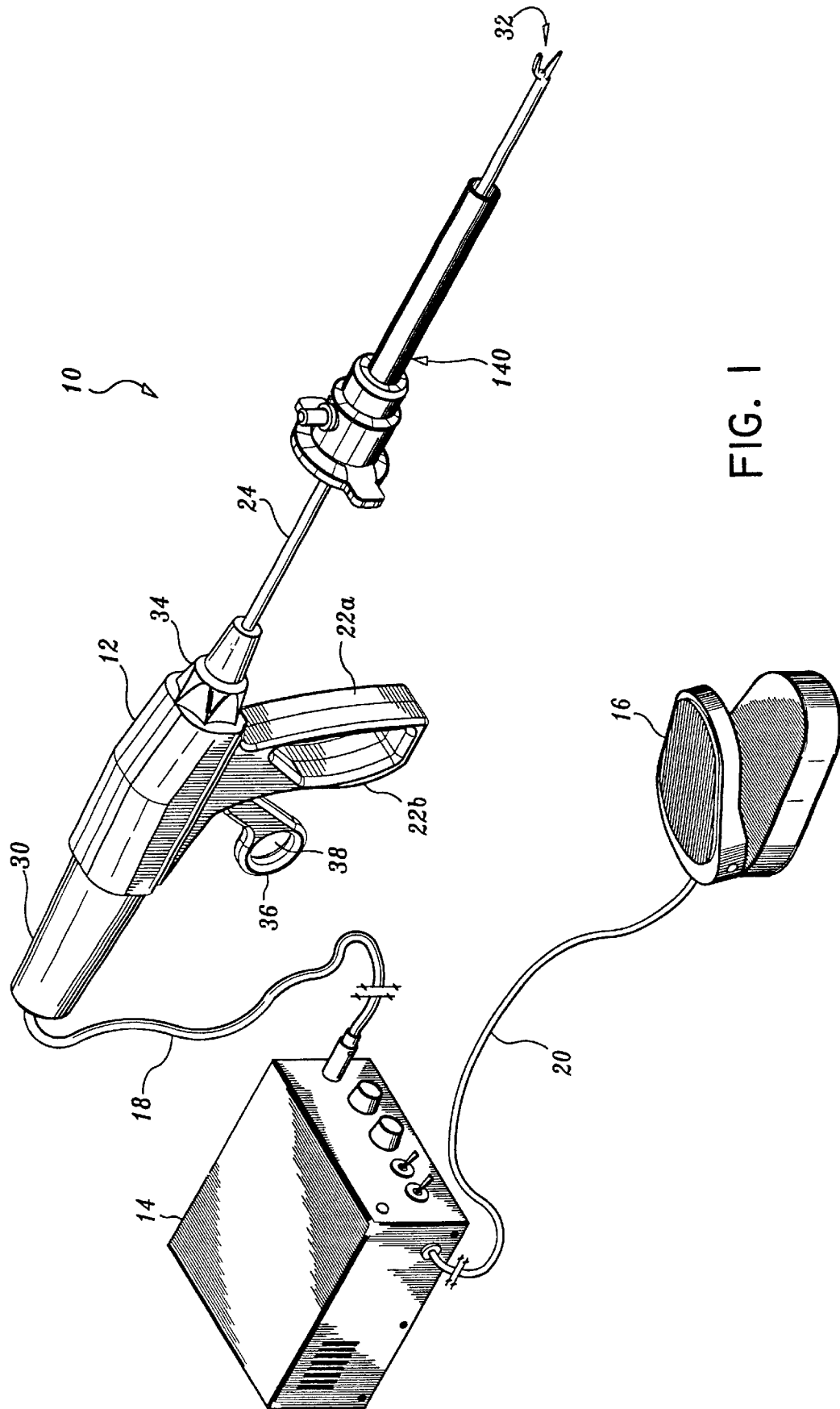
(56) **References Cited**

U.S. PATENT DOCUMENTS

2,002,594 A	5/1935	Wappler et al.
2,011,169 A	8/1935	Wappler
2,714,890 A	8/1955	Vang
2,874,470 A	2/1959	Richards

26 Claims, 15 Drawing Sheets





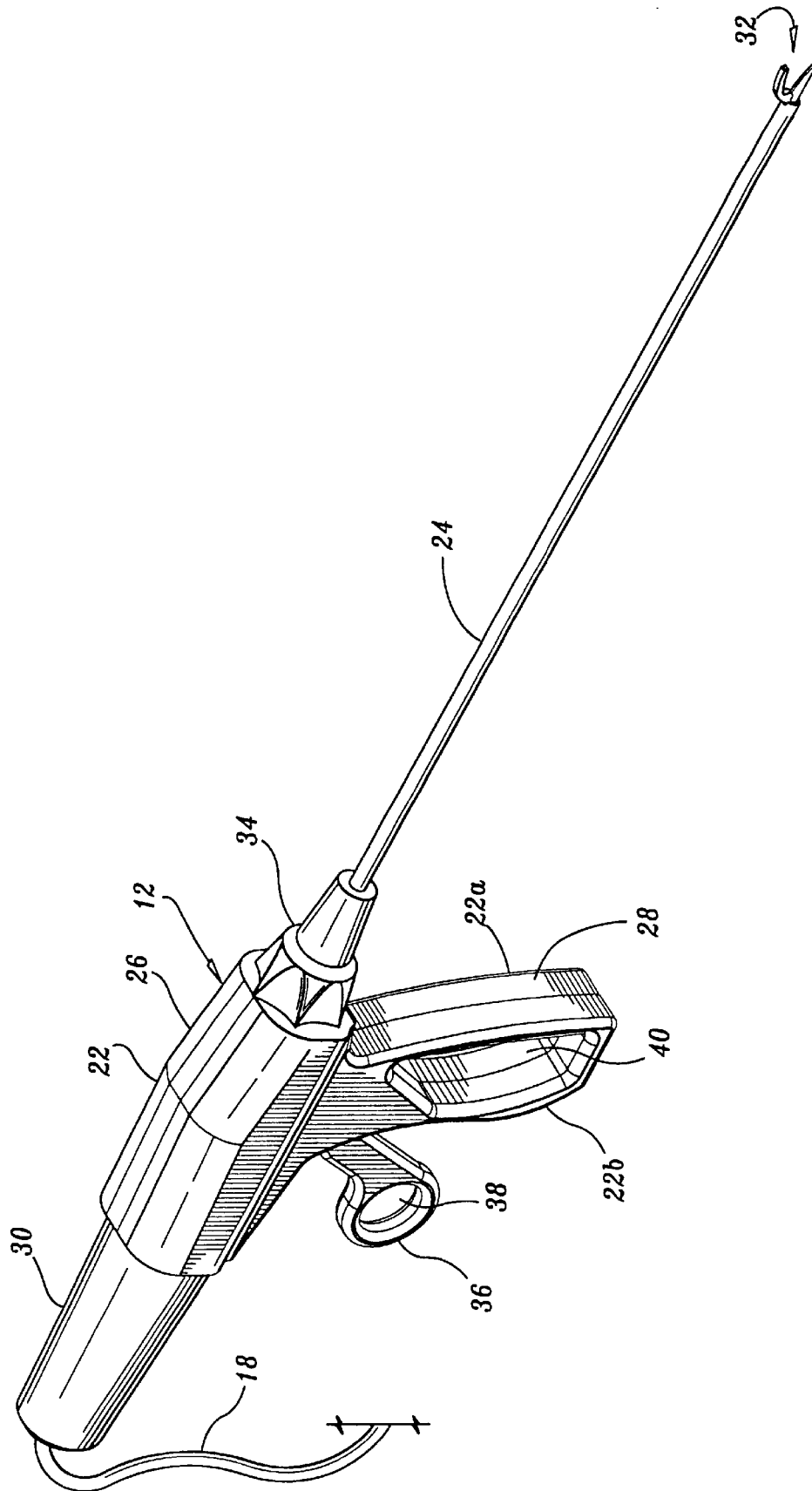


FIG. 2

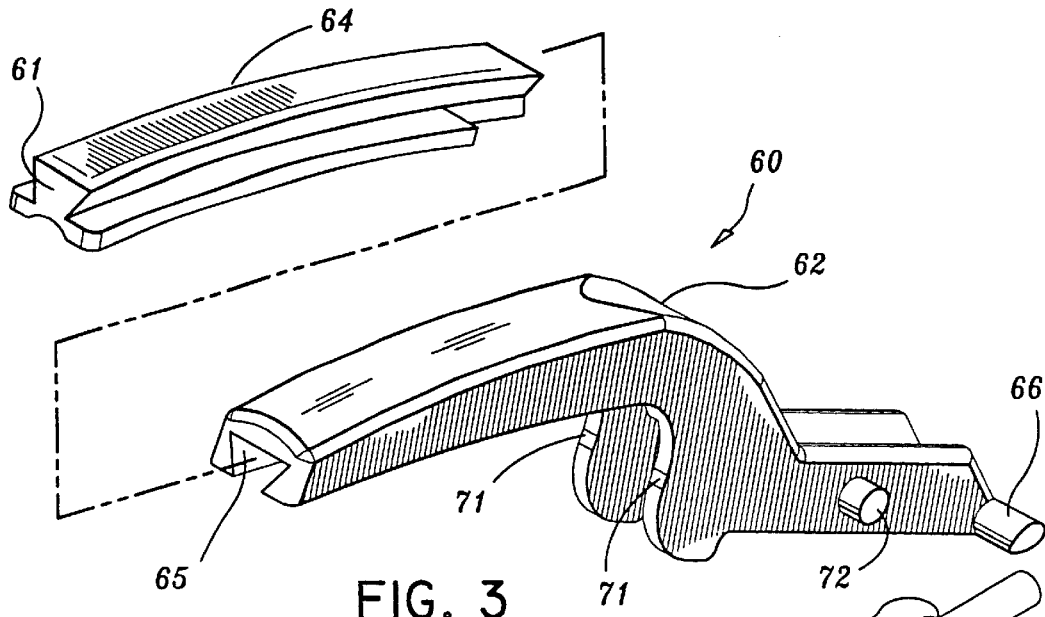


FIG. 3

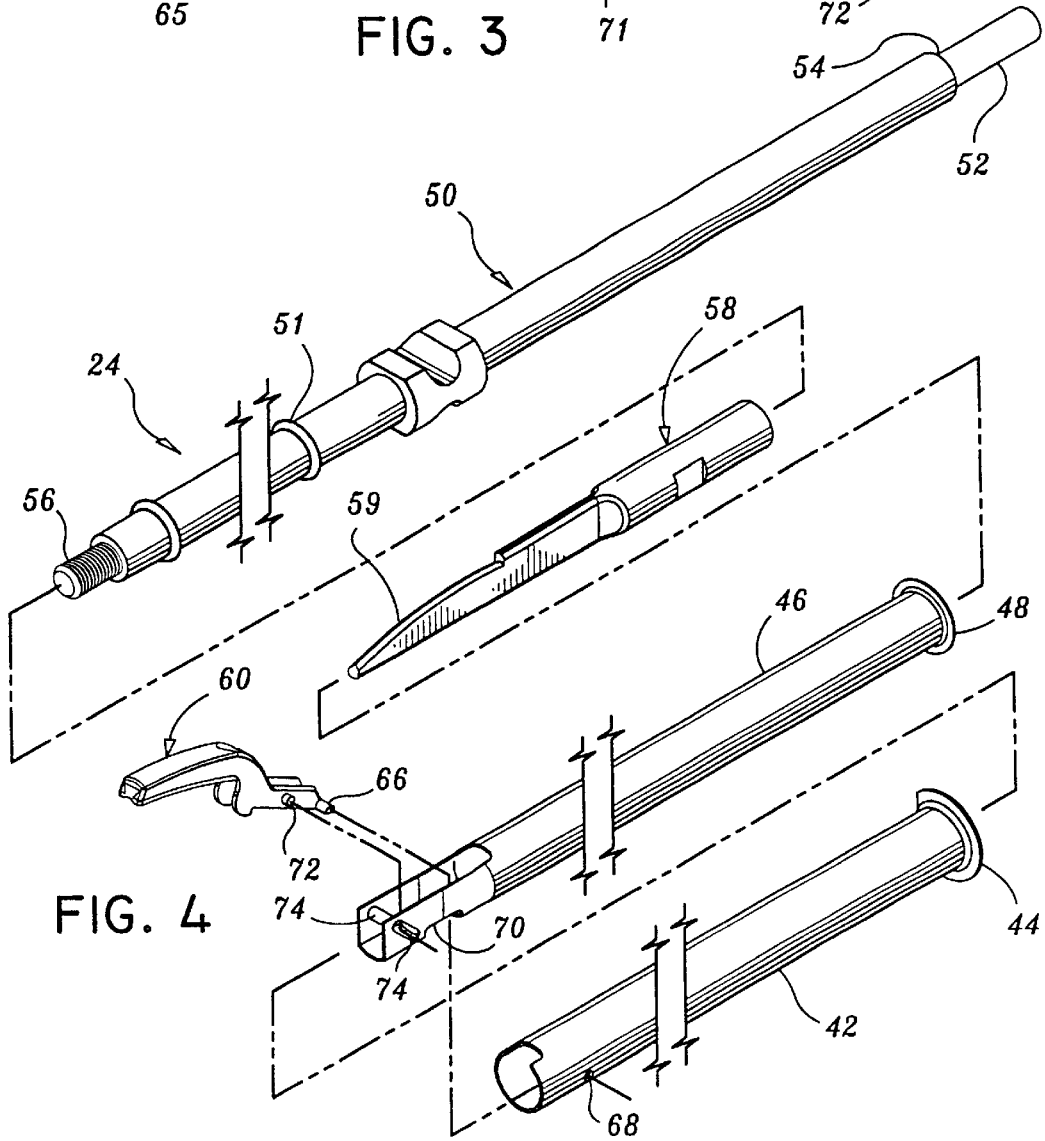


FIG. 4

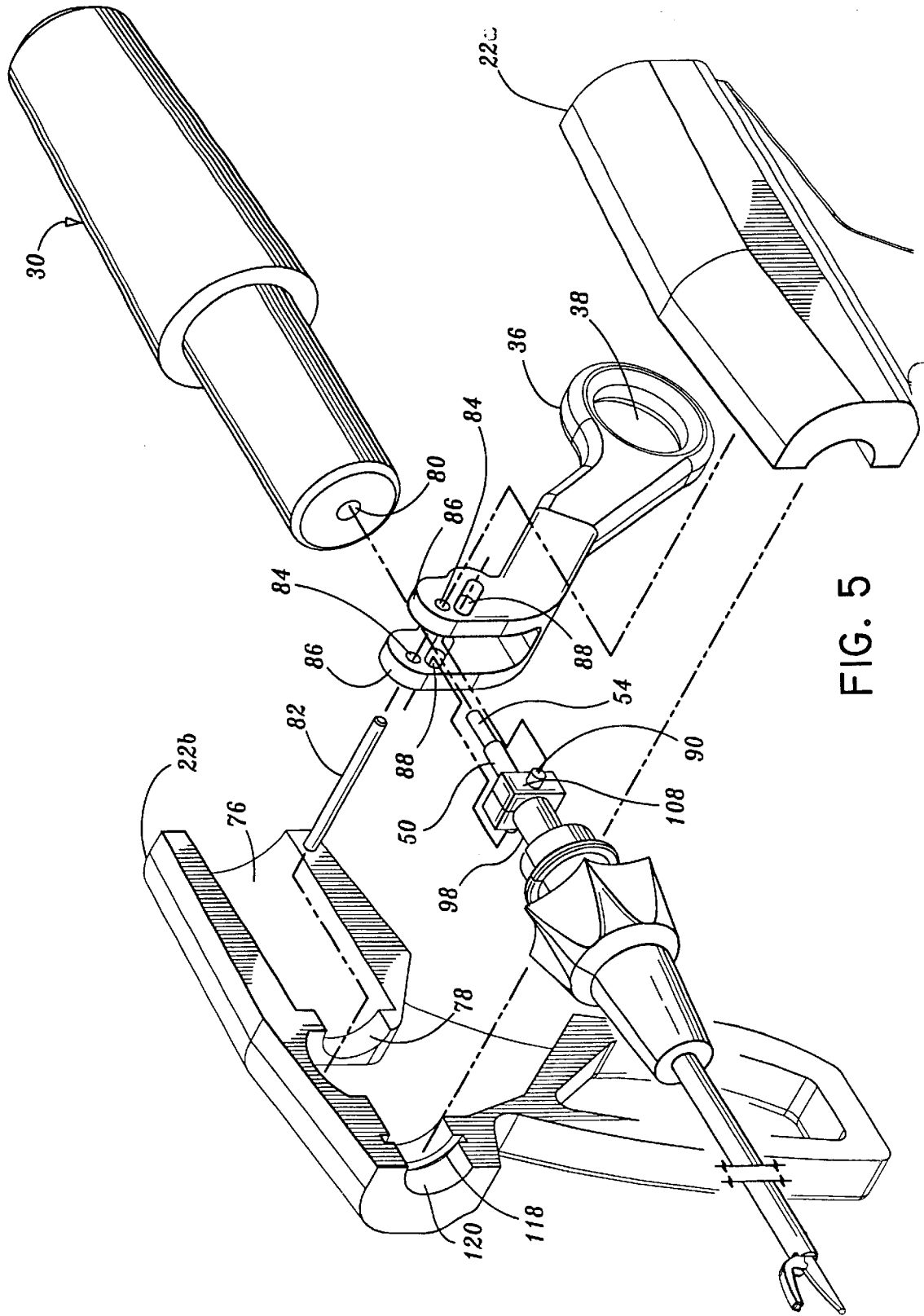


FIG. 5

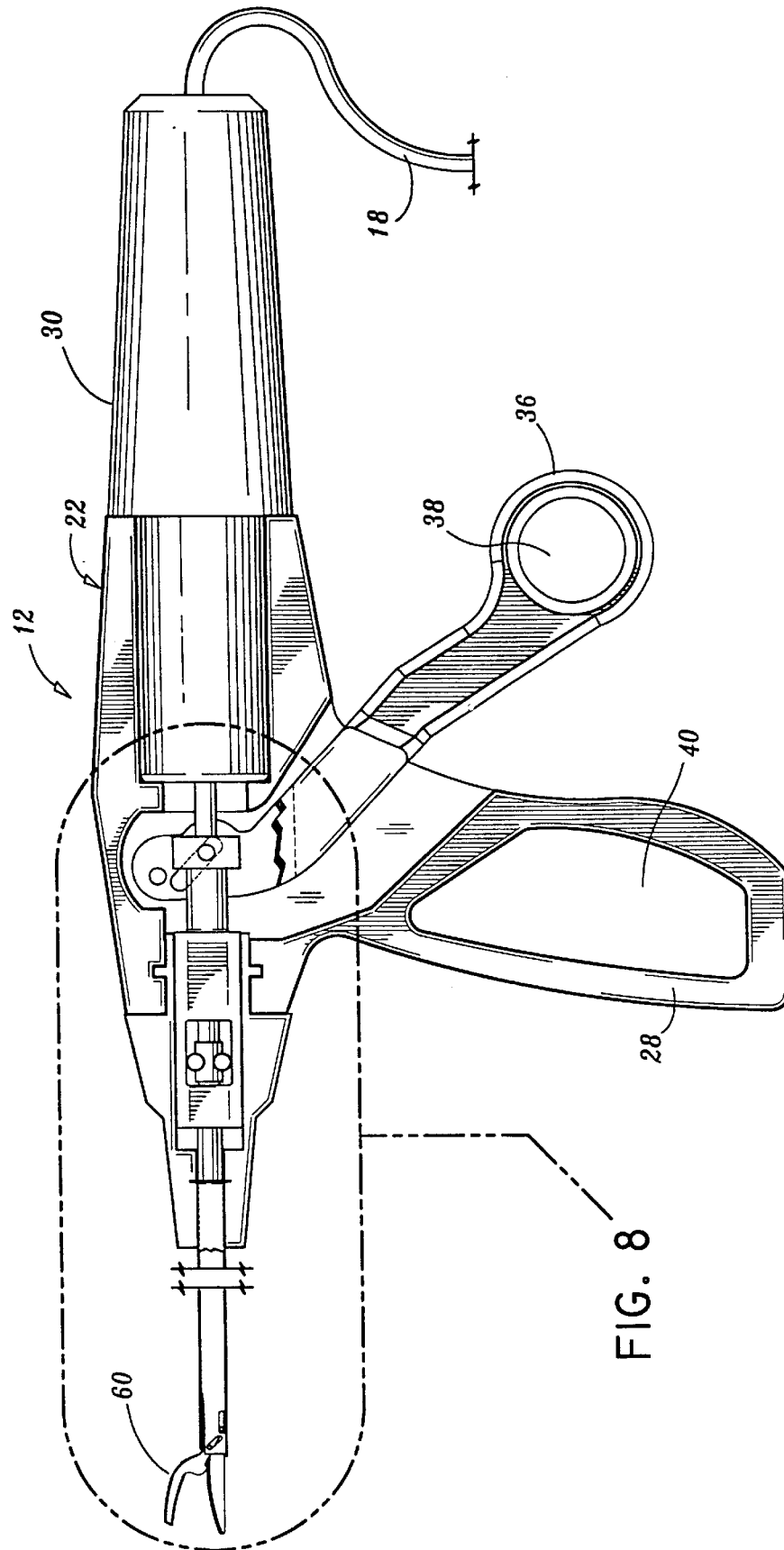
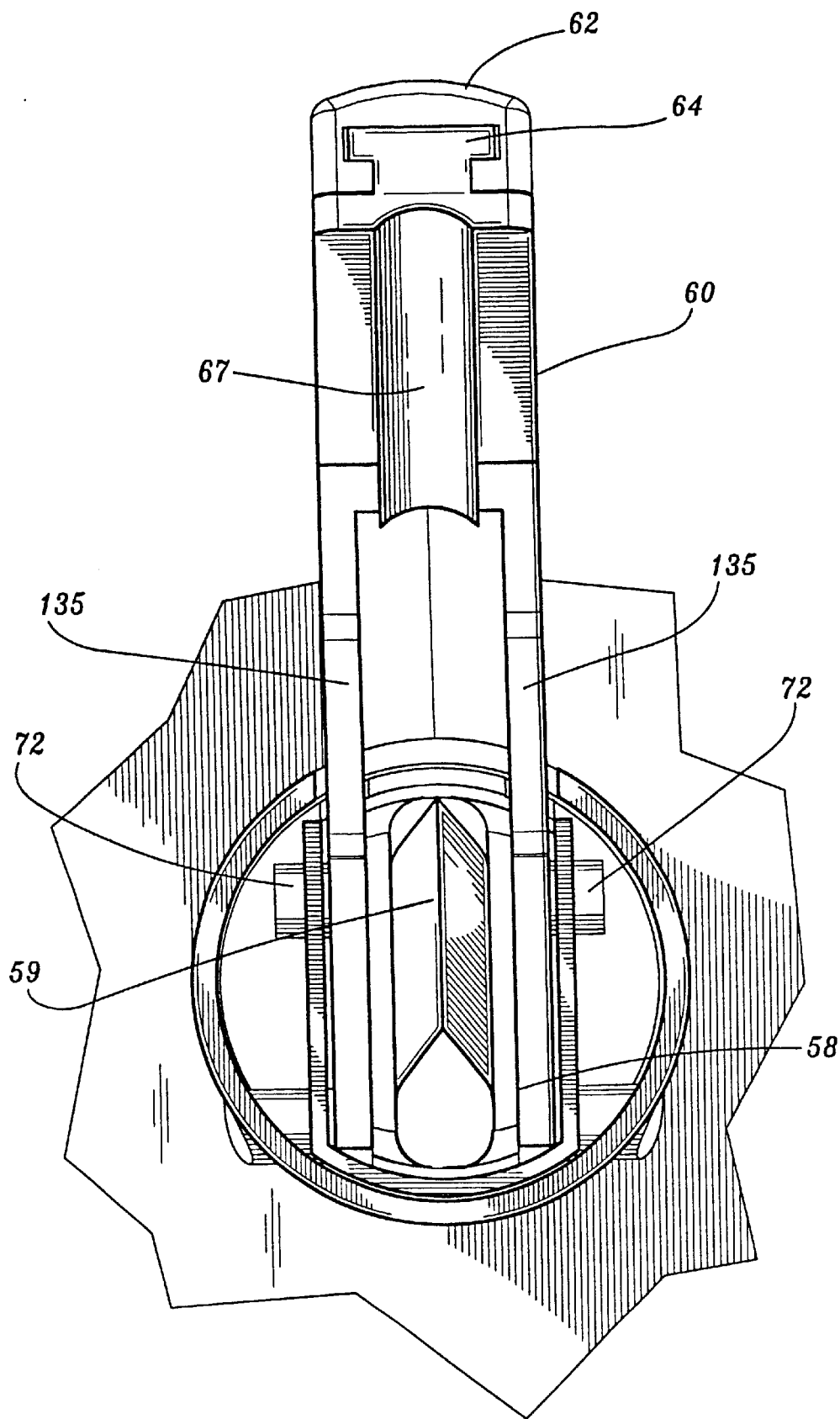


FIG. 7

FIG. 8

FIG. II



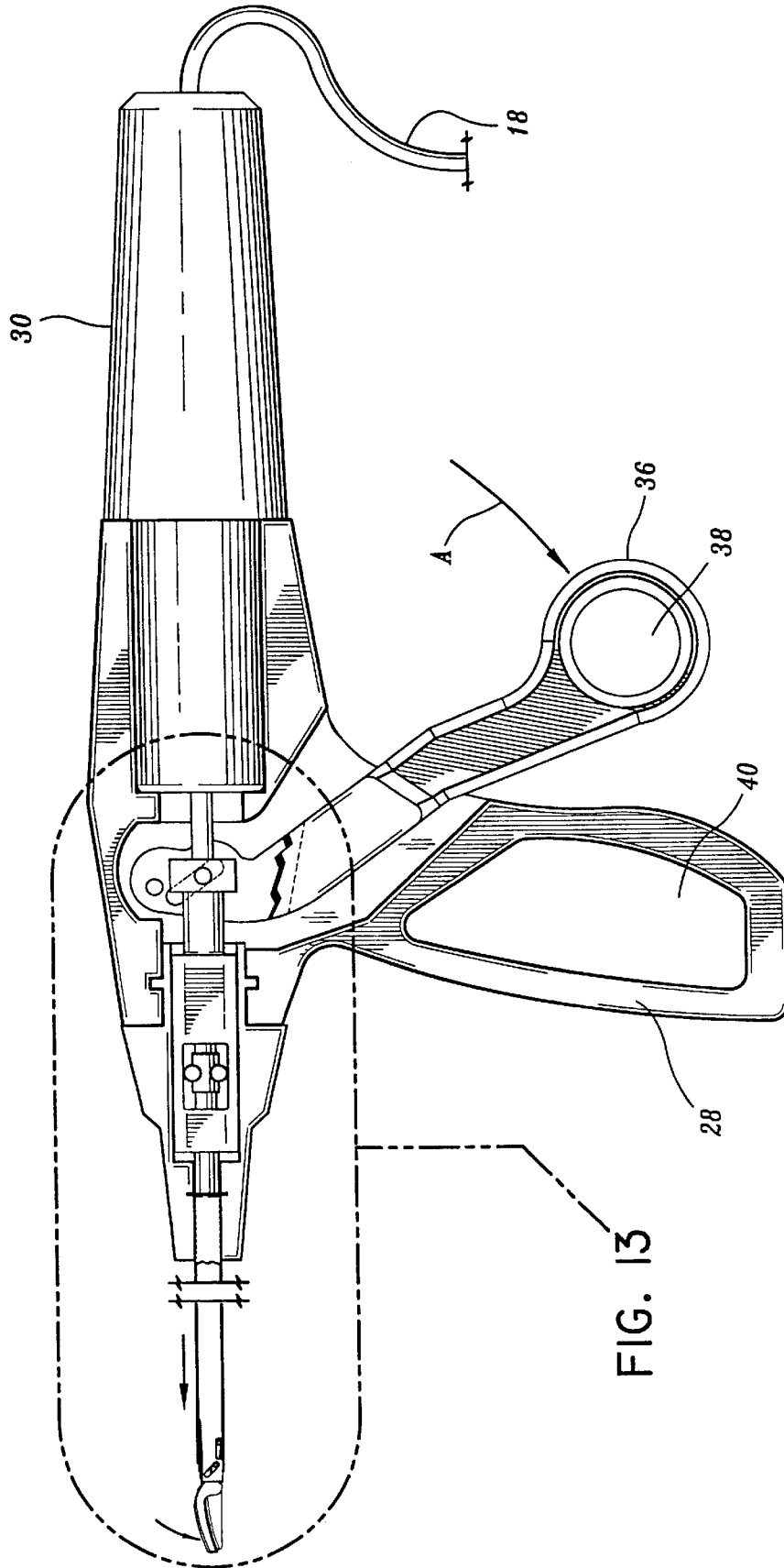


FIG. 12

FIG. 13

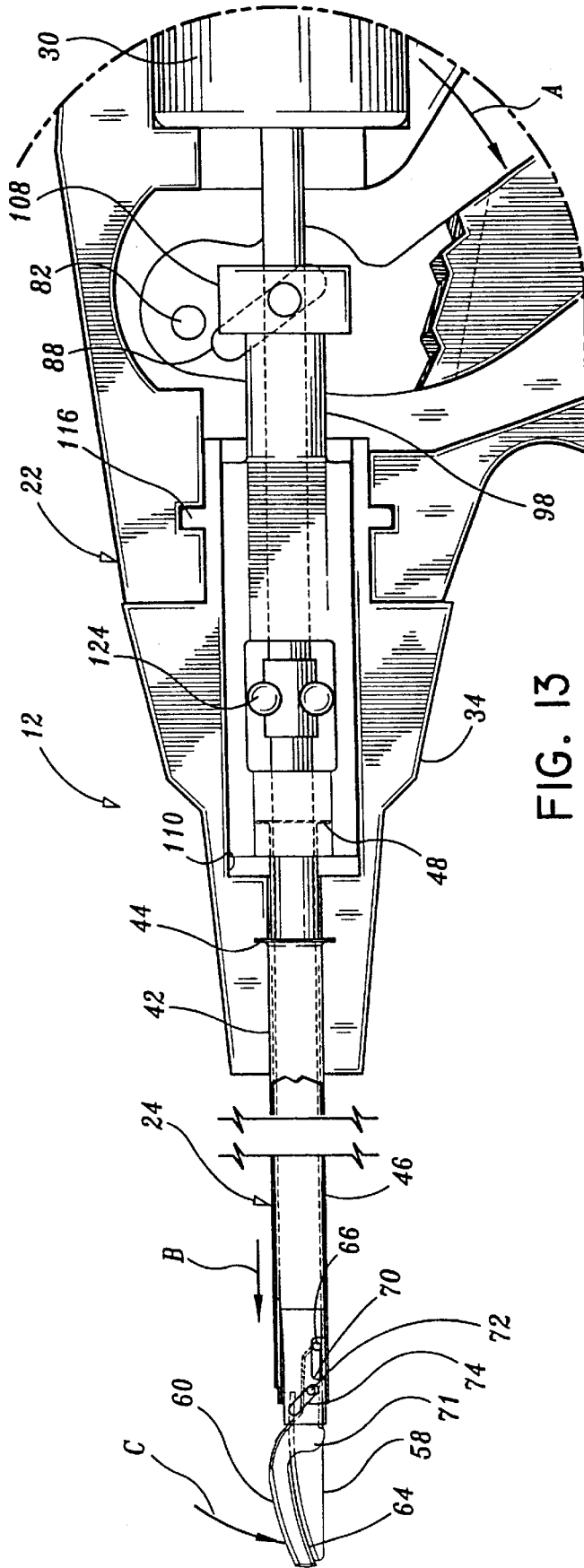


FIG. 13

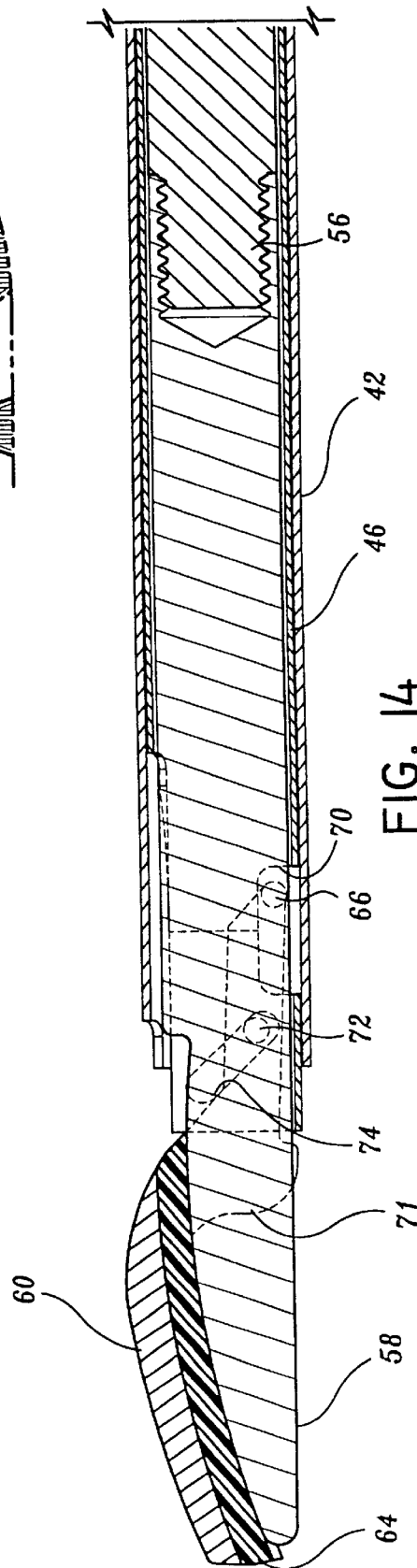


FIG. 14

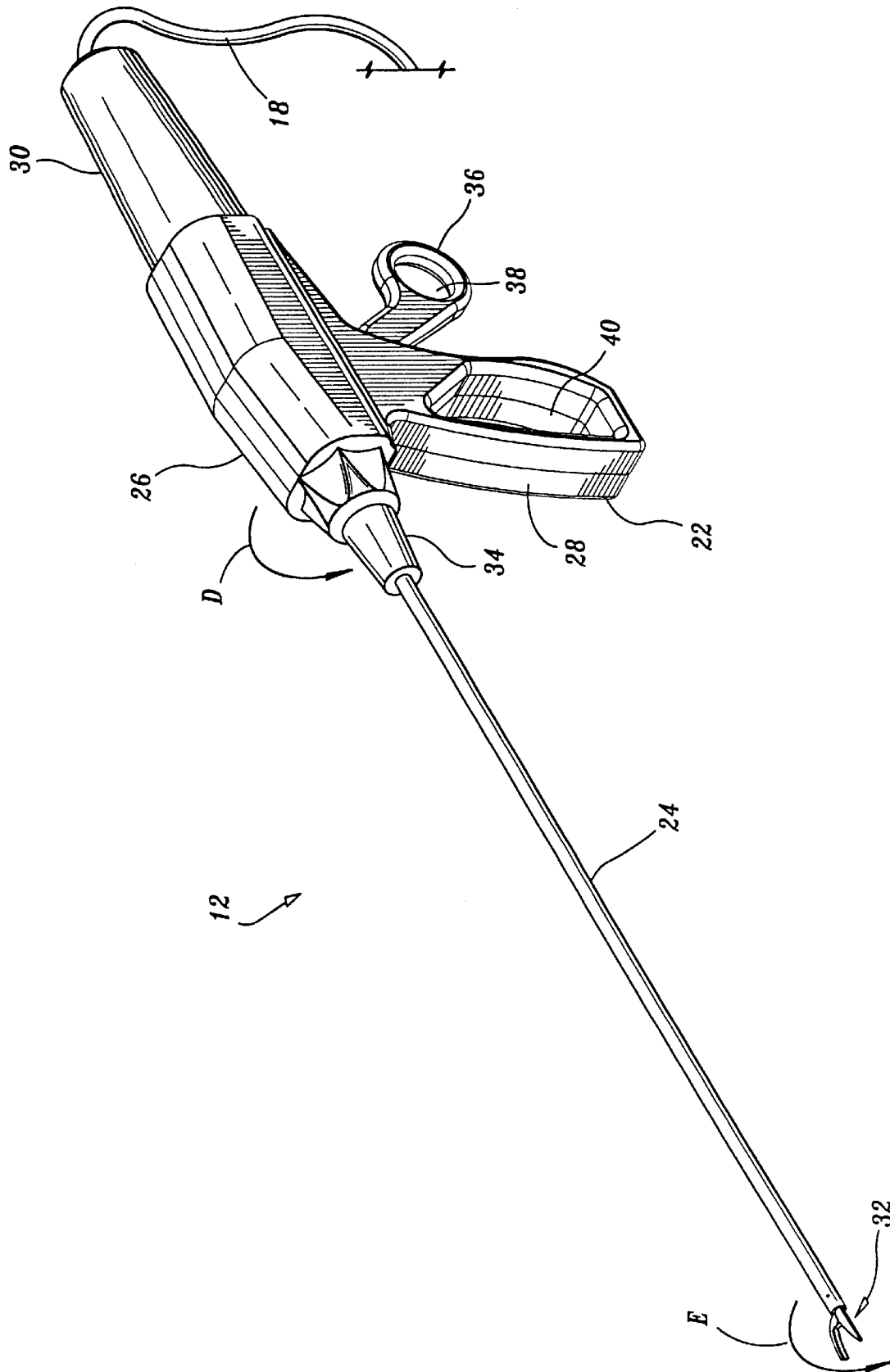


FIG. 15

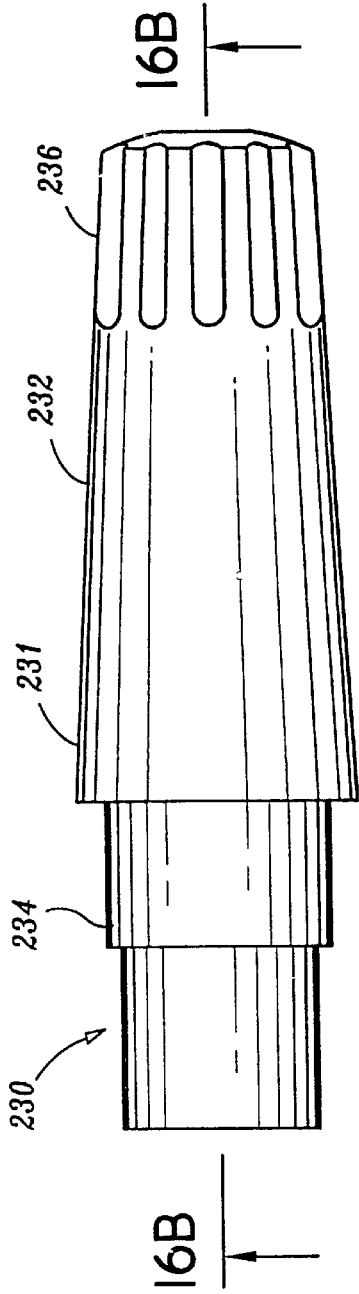


FIG. 16A

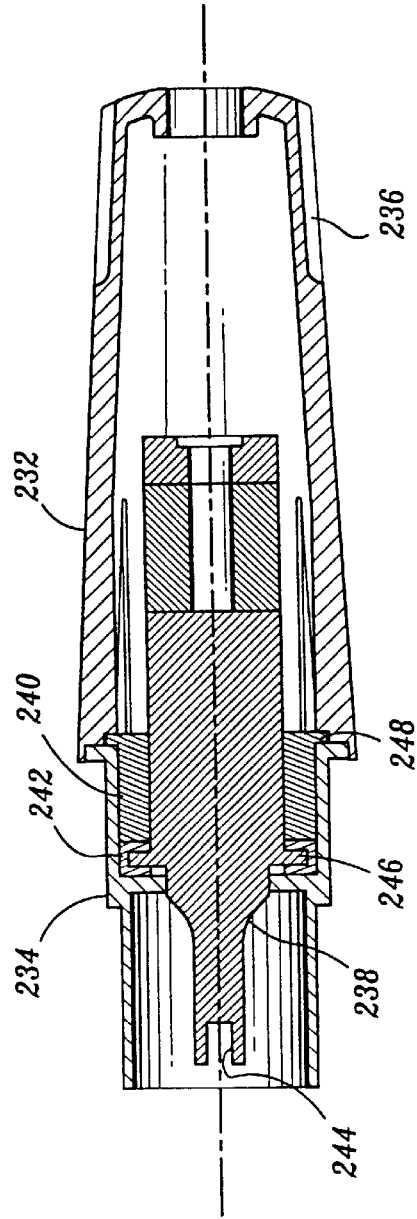


FIG. 16B

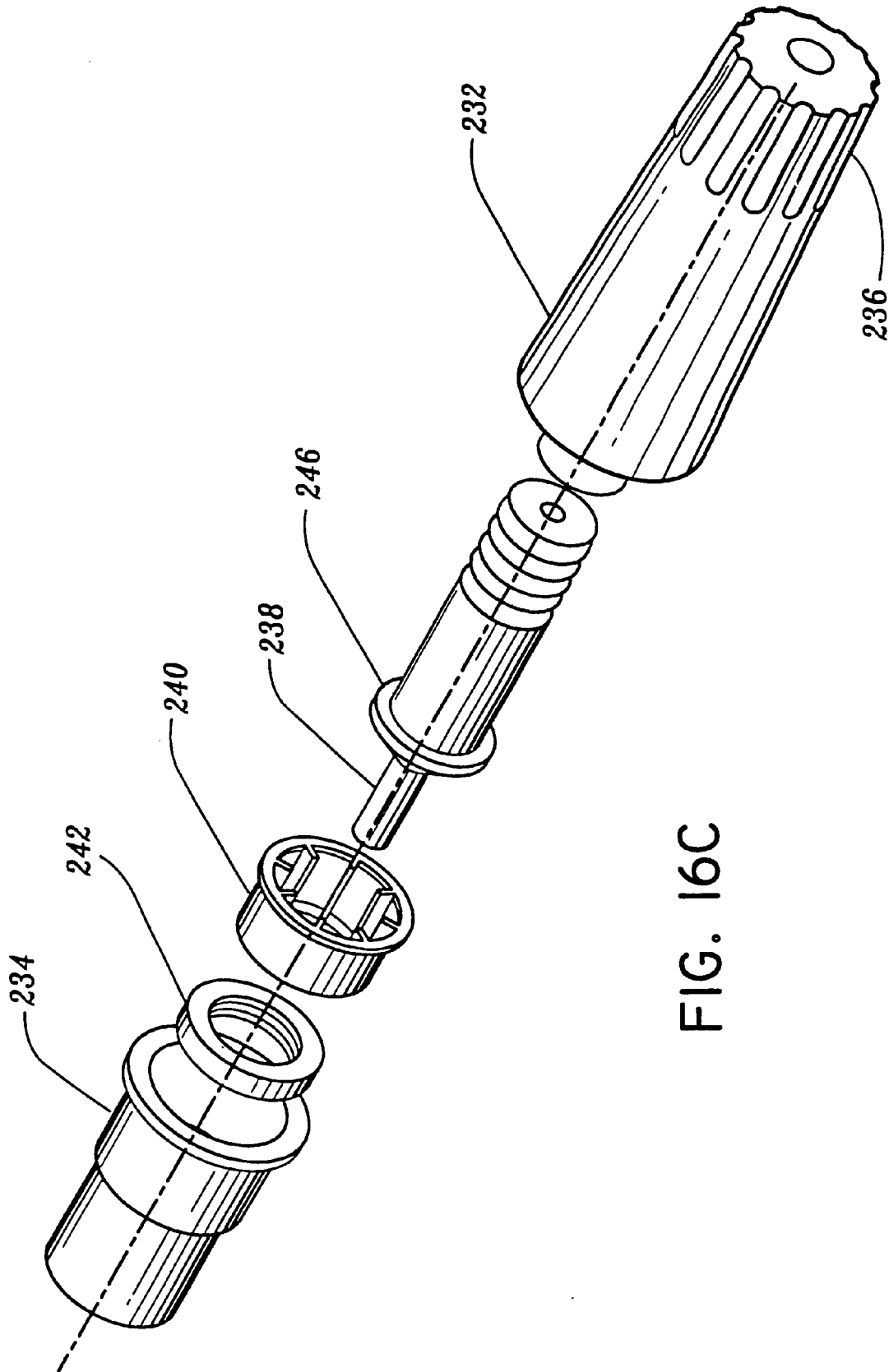


FIG. 16C

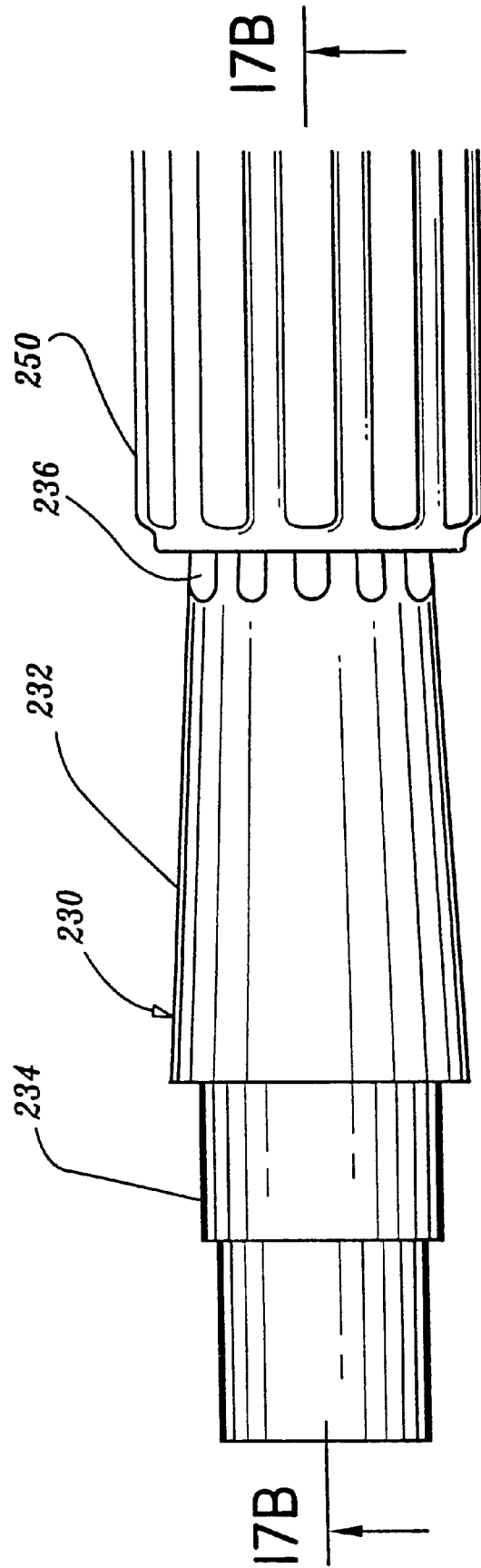


FIG. 17A

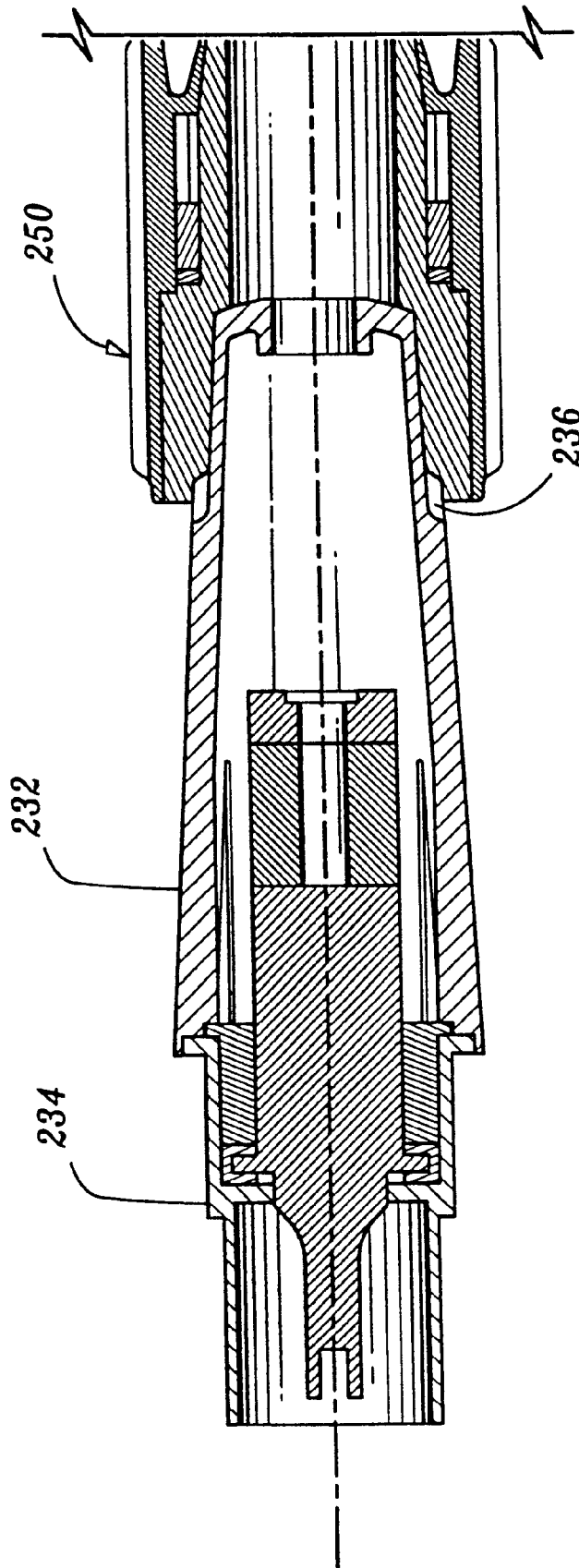


FIG. 17B

ULTRASONIC CURVED BLADE**CROSS REFERENCE TO RELATED APPLICATION**

This is a continuation of application Ser. No. 09/948,014 filed Sep. 6, 2001 now U.S. Pat. No. 6,468,286 which is a continuation of U.S. patent application Ser. No. 09/604,877, filed Jun. 28, 2000, now abandoned, which is a continuation of Ser. No. 09/420,640, filed Oct. 20, 1999, now abandoned, which is a continuation of Ser. No. 08/911,205, filed Aug. 14, 1997, now U.S. Pat. No. 6,024,750, all of which are incorporated herein by reference.

BACKGROUND**1. Technical Field**

The present disclosure relates to an ultrasonic dissection and coagulation system for surgical use. More specifically, the present disclosure relates to an ultrasonic instrument including a curved blade and a clamp member particularly suited for performing dissection and coagulation of tissue.

2. Background of Related Art

Ultrasonic instruments for surgical use and the benefits associated therewith are well known. For example, the use of an ultrasonic generator in conjunction with a surgical scalpel facilitates faster and easier cutting of organic tissue and accelerates blood vessel clotting in the area of the cut, i.e., accelerated coagulation. Improved cutting results from increased body tissue to scalpel contact caused by the high frequency of vibration of the scalpel blade with respect to body tissue. Improved coagulation results from heat generated by contact between the scalpel blade and the body tissue as the scalpel blade is vibrated at a high frequency. Thus, in order to reap the advantages associated with ultrasonic energy, good blade to tissue contact is important.

U.S. Pat. No. 3,862,630 ("Balamuth") discloses an ultrasonic system including an ultrasonic motor, a tool member having a working surface oriented normal to the direction of mechanical vibration generated by the ultrasonic motor, and a clamp member extending parallel to the tool member for compressing tissue against the tool member. U.S. Pat. No. 5,322,055 ("Davison") discloses an ultrasonic surgical instrument adapted for endoscopic use having a blade and a clamp movable in relation to the blade to capture tissue therebetween. The blade and the clamp define a clamping region having a plane which is parallel to the longitudinal axis of the surgical instrument. During an endoscopic procedure, movement of the instrument is limited to movement along an axis parallel to the plane of the clamping region. Thus, no additional blade force is imposed on the body tissue as a result of movement of the instrument.

Accordingly, a need exists for an improved ultrasonic surgical instrument which is easy to use and provides fast and easy cutting and improved coagulation.

SUMMARY

In accordance with the present disclosure, an ultrasonic system for dissection and coagulation of tissue is provided. The system includes an ultrasonic instrument, a control module, and a remote actuator. The ultrasonic instrument has a housing and an elongated body portion extending from the housing. An ultrasonic transducer supported within the housing is operatively connected to a cutting jaw by a vibration coupler. The vibration coupler conducts high frequency vibration from the ultrasonic transducer to the cutting jaw. The cutting jaw has a blade surface which is curved

outwardly and downwardly along its surface and thus, curved with respect to the axis of vibration. The curved blade surface is preferably configured such that the angle defined between a line tangent to the blade surface and the longitudinal axis of the elongated body portion varies from about 5 degrees to about 45 degrees along the length of the blade surface. A clamp member having a tissue contact surface is positioned adjacent to the cutting jaw and is movable from an open position in which the tissue contact surface is spaced from the blade surface to a clamped position in which the tissue contact surface is in close juxtaposed alignment with the blade surface to clamp tissue therebetween. The clamp member and the angled blade combine to enhance contact between tissue and the blade surface of the blade member.

BRIEF DESCRIPTION OF THE DRAWINGS

FIG. 1 is a perspective view of the ultrasonic dissection and coagulation system with the ultrasonic instrument inserted partially through a cannula;

FIG. 2 is a perspective view of the ultrasonic instrument of FIG. 1;

FIG. 3 is a perspective view with parts separated of the clamp of the ultrasonic instrument of FIG. 1;

FIG. 4 is a perspective view with parts separated of the elongated body portion of the ultrasonic instrument of FIG. 1;

FIG. 5 is a perspective view with parts separated of the ultrasonic instrument of FIG. 1;

FIG. 6 is a perspective view with parts separated of the rotation assembly of the ultrasonic instrument of FIG. 1;

FIG. 7 is a side partial cutaway view of the ultrasonic instrument of FIG. 1 in the open position;

FIG. 8 is an enlarged view of the indicated area of detail of FIG. 7 illustrating the clamp in the open position;

FIG. 9 is a perspective view of the distal end of the elongated body portion of the ultrasonic instrument of FIG. 1 with the clamp in the open position;

FIG. 10 is a perspective partial cutaway view of the distal end of the elongated body portion of the ultrasonic instrument of FIG. 1 with the clamp in the open position;

FIG. 11 is a front perspective, partial cutaway view of the distal end of the elongated body portion of the ultrasonic instrument of FIG. 1 with the clamp in the open position;

FIG. 12 is a side partial cutaway view of the ultrasonic instrument of FIG. 1 with the clamp in the clamped (closed) position;

FIG. 13 is an enlarged view of the indicated area of detail of FIG. 12 illustrating the clamp in the closed position;

FIG. 14 is a side cross-sectional view of the distal end of the elongated body portion of the ultrasonic instrument of FIG. 1 in the clamped position;

FIG. 15 is a perspective view of the ultrasonic instrument of FIG. 1 with the elongated body portion partially rotated;

FIG. 16A is a side view of an alternate embodiment of the ultrasonic transducer of FIG. 1;

FIG. 16B is a side cross-sectional view taken along section line 16B—16B of FIG. 16A.

FIG. 16C is a perspective view with parts separated of the ultrasonic transducer of FIG. 16A;

FIG. 17A is a side view of a torque wrench assembly in engagement with the ultrasonic transducer of FIG. 16A; and

FIG. 17B is a side cross-sectional view taken along section line 17B—17B of FIG. 17A.

DETAILED DESCRIPTION OF THE PREFERRED EMBODIMENTS

Preferred embodiments of the presently disclosed ultrasonic dissection and coagulation system will now be described in detail with reference to the drawings, in which like reference numerals designate identical or corresponding elements in each of the several views.

FIG. 1 illustrates the ultrasonic dissection and coagulation system shown generally as 10. Briefly, dissection and coagulation system 10 includes ultrasonic instrument 12, control module 14, and remote actuator 16. Control module 14 is operatively connected to ultrasonic instrument 12 by electrically conductive cable 18 and functions to control the power and frequency of current supplied to ultrasonic instrument 12. Any suitable controller capable of delivering power to ultrasonic instrument 12 can be used. Control module 14 does not form part of the invention and will not be further discussed herein. Remote actuator 16, e.g., pedal actuator, is operatively connected to control module 14 by electrically conductive cable 20 and can be actuated to initiate the supply of power to ultrasonic instrument 12 via control module 14 to effect vibratory motion of ultrasonic instrument 12 to cut and coagulate tissue.

As illustrated in FIG. 2, ultrasonic instrument 12 includes housing 22 and elongated body portion 24 extending distally therefrom. Housing 22 is preferably formed from molded housing half-sections 22a and 22b and includes a barrel portion 26 having a longitudinal axis aligned with the longitudinal axis of body portion 24 and a stationary handle portion 28 extending obliquely from barrel portion 26. Ultrasonic transducer 30 is supported within and extends from the proximal end of housing 22 and is connected to control module 14 via cable 18. Jaw assembly 32 is disposed adjacent the distal end of elongated body portion 24 and is actuated by moving movable handle 36 with respect to stationary handle portion 28. Movable handle 36 and stationary handle portion 28 include openings 38 and 40, respectively, to facilitate gripping and actuation of ultrasonic instrument 12. Elongated body portion 24 is supported within rotatable knob 34 and may be selectively rotated by rotating knob 34 with respect to housing 22 to change the orientation of jaw assembly 32.

FIGS. 3 and 4 illustrate elongated body portion 24 with parts separated. Elongated body portion 24 includes an outer tube 42 which is preferably cylindrical and has a proximally located annular flange 44 dimensioned to engage rotatable knob 34 (FIG. 2) as described below. An elongated actuator tube 46, which is also preferably cylindrical, is configured to be slidably received within outer tube 42 and includes a proximally located annular flange 48 dimensioned to engage coupling member 98 (FIG. 5) which is supported within housing 22 (FIG. 2) and will be described in detail below. Vibration coupler 50 is dimensioned to extend through elongated actuator tube 46 and includes a proximal end 52 having a reduced diameter portion 54 configured to operatively engage ultrasonic transducer 30 (FIG. 5) and a distal end 56 adapted to be operatively connected to cutting jaw 58. A plurality of silicon rings 51 can be molded or otherwise attached to the nodal points along vibration coupler 50 to seal between vibration coupler 50 and actuator tube 46. Preferably, cutting jaw 58 includes an internal proximal threaded bore (not shown) which is dimensioned to receive threaded distal end 56 of vibration coupler 50. Alternately, cutting jaw 58 can be formed integrally with vibration coupler 50, cutting jaw 58 may include a threaded proximal end configured to be received within a threaded bore formed

in vibration coupler 50, or other attachment devices can be used. A clamp 60 having a clamp body 62 and a tissue contact member 64 removably secured to clamp body 62 is operatively connected to the distal end of actuator tube 46. Clamp body 62 includes a pair of tissue receiving stops 71 that define the proximal end of the exposed blade surface 59. Tissue contact member 64 is preferably composed of teflon and is preferably removably fastened to clamp body 62 by a tongue and groove fastening assembly (reference numerals 61 and 65, respectively), although other fastening assemblies are also envisioned. Tissue contact member 64 functions to isolate clamp 60, which is preferably metallic, from jaw 58 which is also preferably metallic to prevent metal to metal contact.

Tissue contact member 50 also functions to grip tissue to prevent movement of the tissue with vibrating cutting jaw 58. Alternately, at least one row of teeth may be positioned on clamp 60 to grip tissue, such as disclosed in U.S. patent application Ser. No. 08/911,207, which is incorporated herein by reference. Pivot members (pins) 66 located at the proximal end of clamp body 62 are configured to be received within openings 68 formed in the distal end of outer tube 42. A guide slot 70 formed in the distal end of the actuator tube 46 permits relative movement between actuator tube 46 and clamp body 62 by allowing pins 66 to move in guide slot 70. A pair of camming members, here shown as protrusions 72, are also formed on clamp body 62 and are positioned to be received within cam slots 74 formed in the distal end of actuator tube 46. Movement of actuator tube 46 and clamp 60 will be described in detail below.

Cutting jaw 58 includes a curved blade surface 59 that slopes downwardly and outwardly in the distal direction. As shown in FIG. 11, blade surface 59 may include a cutting edge. Preferably, the entire blade surface 59 exposed to tissue, i.e., the portion of blade surface 59 between tissue receiving stops 71 and the distal end of blade surface 59, has a tangent which defines an angle with respect to the longitudinal axis of elongated body portion 24 that varies along the length of blade surface 59 from about 5 degrees to about 75 degrees. Ideally, the angle defined by a line tangent to the blade surface and the longitudinal axis of elongated body portion 24 varies from about 5 degrees to about 45 degrees along the length of the blade surface. The curved blade surface provides better visibility at the surgical site. Clamp 60 is movable from an open position in which tissue contact member 64 is spaced apart from blade surface 59 (FIGS. 7 and 8) to a clamped position in which tissue contact member 64 is in a juxtaposed close alignment with blade surface 59 (FIGS. 11-13) to clamp tissue therebetween. The interior surface of tissue contact member 64 is curved to correspond to blade surface 59. In the clamped position, note the positioning of tissue contact member 64 with respect to blade surface 59. Actuation of clamp 60 from the open position to the clamped position will be described in detail below.

Referring now to FIGS. 5 and 6, the handle assembly and the rotation assembly will now be discussed. Housing half-sections 22a and 22b define a chamber 76 configured to receive a portion of ultrasonic transducer 30. Chamber 76 has an opening 78 communicating with the interior of housing 22. Ultrasonic transducer 30 includes a bore 80 configured to receive proximal end 54 of vibration coupler 50. In the assembled condition, proximal end 54 extends through opening 78 into bore 80. Ultrasonic transducer 30 may be secured within housing 22 to vibration coupler 50 using any known attachment apparatus. Preferably, a torque wrench, such as disclosed in copending U.S. patent appli-

cation Ser. No. 08/911,207, now U.S. Pat. No. 6,036,667, incorporated herein by reference above, can be used to secure ultrasonic transducer **30** to vibration coupler **50**. As disclosed therein, the proximal end of transducer **30** may be configured to engage the torque wrench. Movable handle **36** is pivotally connected between housing half-sections **22a** and **22b** about pivot pin **82** which extends through holes **84** formed in legs **86** of movable handle **36**. A cam slot **88** formed in each leg **86** is configured to receive a protrusion **90** projecting outwardly from coupling member **98** (FIG. 6).

As illustrated in FIG. 6, coupling member **98** operatively connects movable handle **36** to actuator tube **46** and is preferably formed from molded half-sections **98a** and **98b** to define a throughbore **100** dimensioned to slidably receive the proximal end of vibration coupler **50**. Coupling member **98** has an inner distally located annular groove **102** dimensioned to receive annular flange **48** of actuator tube **46** and an outer proximally located annular groove **104**. Groove **104** is positioned to receive an annular rib **106** formed on the internal wall of a swivel member **108** (FIG. 5). Swivel member **108** is preferably formed from molded half-sections **108a** and **108b** and permits rotation of coupling member **98** relative to movable handle **36**. Protrusions **90** project outwardly from sidewalls of swivel member **108** and extend through cam slots **88** of movable handle **36** (FIG. 5).

Referring to FIGS. 5 and 6, rotation knob **34** is preferably formed from molded half-sections **34a** and **34b** and includes a proximal cavity **110** for slidably supporting coupling member **98** and a distal bore **112** dimensioned to receive outer tube **42**. An annular groove **114** formed in bore **112** is positioned to receive annular flange **44** of outer tube **42**. The outer wall of knob **34** has a proximally located annular ring **116** dimensioned to be rotatably received within annular slot **118** formed in opening **120** of housing **22**. The outer wall of knob **34** also includes scalloped surface **122** to facilitate gripping of rotatable knob **34**. Annular ring **116** permits rotation of knob **34** with respect to housing **22** while preventing axial movement with respect thereto. A pair of cylindrical rods **124** extend between half-sections **34a** and **34b** through a rectangular opening **126** formed in coupling member **98**. Rods **124** engage a pair of concave recesses **128** formed in fitting **130** which is fastened about vibration coupler **50**, such that rotation of knob **34** causes rotation of vibration coupler **50** and thus rotation of blade **58** and clamp **60**. Alternately, recesses **128** can be monolithically formed with vibration coupler **50**.

FIGS. 7–10 illustrate ultrasonic instrument **12** with clamp **60** in the open position. The elongated body **24** which includes clamp **60** and blade **58**, and housing **22** which includes handles **28** and **36**, are packaged as an integral unit, e.g., non-detachably connected, that requires no assembly by the user prior to use. That is, the user needs only to attach transducer **30** to housing **22** to ready instrument **12** for use. In the open position, movable handle **36** is spaced rearwardly from stationary handle portion **28** and protrusions **90** are positioned in the lower proximal portion of cam slots **88**. At the distal end of ultrasonic instrument **12**, pivot members **66** are positioned near the distal end of guide slots **70** and camming members **72** are positioned in the upper distal portion of cam slots **74**. Tissue contact member **64** of clamp **60** is spaced from blade surface **59** to define a tissue receiving area **132**. The proximal end of tissue receiving area **132** is defined by tissue receiving stops **71** which are preferably integrally formed with clamp body **62** and extend below blade surface **59**. Preferably, the distal end of blade **58** is rounded to prevent inadvertent damage to tissue during use of instrument **12** and tissue contact surface **64** is also

preferably formed with a longitudinally extending concavity **67** to receive tissue therein. Alternately, the distal end of blade **58** may be formed in any shape which may be suitable to a particular surgical application, i.e., pointed, flat, etc. Moreover, tissue contact surface **64** need not be formed with a concavity but may be flat, angled, etc.

Referring to FIGS. 11–15, when movable handle **36** is pivoted clockwise about pivot member **82** towards stationary handle portion **28**, in the direction indicated by arrow “A” in FIG. 11, cam slot **88** engages protrusion **90** of swivel member **108** to advance coupling member **98** distally within cavity **110** of rotation knob **34**. Since actuator tube **46** is attached to coupling member **98** by an annular flange **48**, actuator tube **46** is also advanced distally in the direction indicated by arrow “B” in FIG. 12. Movement of actuator tube **46** distally causes cam slots **74** to move into engagement with camming members **72** to pivot clamp body **62** about pivot members **66**, in the direction indicated by arrow “C” in FIG. 13, to move clamp member **62** and tissue contact member **64** into the clamped position. In the clamped position, protrusions **90** are located in a central portion of cam slots **88**, pivot members **66** are located near the proximal end of guide slots **70**, and camming members **72** are located in the proximal lower portion of cam slots **74**.

Elongated body portion **24** can be freely rotated with respect to housing **22** by rotating rotation knob **34**. As illustrated in FIG. 15, rotation of knob **34** in the direction indicated by arrow “D” causes rotation of jaw assembly **32** in the direction indicated by arrow “E”. Knob **34** is positioned adjacent housing **22** to facilitate one handed operation of both movable handle **36** and rotation knob **34**.

Referring again to FIG. 1, elongated body portion **24** is dimensioned to extend through a trocar assembly **140**, and is preferably dimensioned to extend through a 5 mm trocar assembly. During use, elongated body portion **24** is slid through trocar assembly **140** with jaw assembly **32** in the clamped or closed position to a position adjacent tissue (not shown) to be dissected and/or coagulated. An optical unit (not shown) can also be positioned adjacent the surgical site to facilitate viewing of the procedure. Jaw assembly **32** is opened and tissue to be dissected and/or coagulated is positioned within tissue receiving area **132** (See also FIG. 9). Tissue receiving stops **71** prevent tissue from moving past the proximal end of blade surface **59**. Next, jaw assembly **32** is closed to clamp tissue between tissue contact member **64** and blade surface **59**. Power is supplied to ultrasonic instrument **12** via control module **14** to initiate vibration of blade **58** to effect dissection and/or coagulation of tissue. Because of the curve of blade surface **59**, the force applied by blade surface **59** to the tissue being dissected can be selectively increased or decreased as instrument **12** is moved forward through trocar assembly **140** by adjusting the location of the tissue on blade surface **59** and thus changing the angle of the force applied to the tissue being dissected.

FIGS. 16A–16C illustrate an alternate embodiment of the ultrasonic transducer shown generally as **230**. Ultrasonic transducer **230** includes a housing **231** having a proximal housing portion **232** and a distal housing portion **234**. Proximal housing portion **232** has a scalloped section **236** adjacent its proximal end. Transducer horn **238** is supported within housing **231** by support collar **240** and annular ring **242**. The distal end of transducer horn **238** includes a threaded bore **244** dimensioned to engage reduced diameter portion **54** of vibration coupler **50** (FIG. 4). As best illustrated in FIG. 16B, transducer horn **238** is formed with annular flange **246**, about which annular ring **242** is

received. The proximal end of support collar **240** also includes an annular flange **248** which, in an assembled condition, is clamped between proximal and distal housing portions **232** and **234** to fixedly retain support collar **240** in position within housing **231**. The distal end of support collar **240** engages annular ring **242** to retain annular ring **242** and thus horn **238** in a longitudinally fixed position within housing **231**.

Referring to FIGS. **17A–17B**, torque wrench assembly **250** is configured and dimensioned to engage scalloped section **236** of ultrasonic transducer **230** to facilitate assembly of transducer assembly **230** with the remaining portion of ultrasonic instrument **12**. Torque wrench assembly **250** assures that horn **238** and vibration coupler **50** (FIG. **4**) are properly connected, i.e., properly torqued.

It will be understood that various modifications may be made to the embodiments herein. For example, vibration coupler **50** and blade **58** may be monolithically formed or attached using structure other than screw threads. Different actuator assemblies other than the actuator tube having a camming surface can be used to pivot the clamp member to the clamped position. Further, the elongated body portion of the instrument can be dimensioned to extend through other than 5 mm trocar assemblies, e.g., 10 mm, 12 mm, etc. Therefore, the above description should not be construed as limiting, but merely as exemplifications of preferred embodiments. Those skilled in the art will envision other modifications within the scope and spirit of the claims appended hereto.

What is claimed is:

1. An ultrasonic instrument comprising:

an outer tube defining a longitudinal axis and having a proximal end and a distal end;

an actuation member positioned within the outer tube;

a vibration coupler positioned within the outer tube, the vibration coupler having a distal end and a proximal end;

a jaw member extending from the distal end of the vibration coupler;

a clamp pivotally mounted adjacent the distal end of the outer tube, the clamp being movable in relation to the jaw member between open and clamped positions, the clamp including a camming member which operatively engages the actuation member such that movement of the actuation member pivots the clamp between the open and clamped positions.

2. An ultrasonic instrument according to claim **1**, wherein the actuation member includes a slot for receiving the camming member of the clamp.

3. An ultrasonic instrument according to claim **2**, wherein the clamp includes a pair of camming members and the actuation member includes a pair of slots, each one of the pair of slots being positioned to receive one of the pair of camming members.

4. An ultrasonic instrument according to claim **3**, wherein the pair of camming members includes a pair of protrusions extending outwardly from the clamp.

5. An ultrasonic instrument according to claim **2**, wherein the slot includes an angled cam slot.

6. An ultrasonic instrument according to claim **1**, wherein the jaw member includes a curved blade surface.

7. An ultrasonic instrument according to claim **6**, wherein the curved blade is convex.

8. An ultrasonic instrument according to claim **6**, wherein the curved blade surface includes a longitudinally extending cutting edge.

9. An ultrasonic instrument according to claim **1**, further including a handle assembly, the proximal end of the outer tube being supported adjacent the handle assembly.

10. An ultrasonic instrument according to claim **9**, further including a rotatable collar operatively associated with the vibration coupler, the clamp and the jaw member such that rotation of the vibration coupler causes corresponding rotation of the clamp and the jaw member.

11. An ultrasonic instrument according to claim **10**, wherein the clamp and the jaw member are rotatable about the longitudinal axis of the outer tube.

12. An ultrasonic instrument according to claim **10**, wherein the rotatable collar is positioned adjacent the handle assembly.

13. An ultrasonic instrument according to claim **9**, further including a transducer removably supported on the handle assembly.

14. An ultrasonic instrument according to claim **13**, wherein the transducer includes an outer housing configured to be engaged by a torque wrench.

15. An ultrasonic instrument according to claim **14**, wherein the outer housing of the transducer is scalloped-shaped.

16. An ultrasonic instrument according to claim **13**, wherein the transducer includes a transducer horn adapted to engage a proximal end of the vibration coupler.

17. An ultrasonic instrument according to claim **16**, wherein the transducer horn includes a threaded bore and the vibration coupler includes a threaded proximal end.

18. An ultrasonic instrument according to claim **1**, wherein the outer tube is dimensioned to be received within a 5 mm trocar assembly.

19. An ultrasonic instrument according to claim **1**, wherein the clamp includes a body portion and a tissue contact member, the tissue contact member being removably supported on the body portion.

20. An ultrasonic instrument according to claim **19**, wherein the tissue contact member is formed at least partially from a fluorine-containing resin.

21. An ultrasonic instrument according to claim **20**, wherein the fluorine-containing resin is polytetrafluoroethylene.

22. An ultrasonic instrument according to claim **19**, wherein the tissue contact member includes a longitudinally extending concavity for receiving tissue.

23. An ultrasonic instrument according to claim **1**, wherein the clamp includes at least one tissue receiving stop which is positioned adjacent the jaw member.

24. An ultrasonic instrument according to claim **23**, wherein the jaw member includes a blade surface having a proximal end and a distal end, the at least one tissue receiving stop being positioned adjacent the proximal end of the blade surface.

25. An ultrasonic instrument according to claim **1**, wherein the clamp is pivotally mounted on the distal end of the outer tube.

26. An ultrasonic instrument according to claim **1**, wherein the actuation member is substantially cylindrical.