



(12) **United States Patent**  
**Daniel**

(10) **Patent No.:** **US 8,709,494 B2**  
(45) **Date of Patent:** **\*Apr. 29, 2014**

- (54) **PLACENTAL TISSUE GRAFTS**
- (71) Applicant: **MiMedx Group, Inc.**, Marietta, GA (US)
- (72) Inventor: **John Daniel**, Woodstock, GA (US)
- (73) Assignee: **MiMedx Group, Inc.**, Marietta, GA (US)
- (\* ) Notice: Subject to any disclaimer, the term of this patent is extended or adjusted under 35 U.S.C. 154(b) by 0 days.  
This patent is subject to a terminal disclaimer.

6,573,249	B2	6/2003	Lezdey et al.
6,576,618	B1	6/2003	Herndon et al.
7,045,148	B2	5/2006	Hariri
7,049,139	B2	5/2006	Tan et al.
7,101,710	B2	9/2006	Tsai et al.
7,244,444	B2	7/2007	Bates
7,311,904	B2	12/2007	Hariri
7,311,905	B2	12/2007	Hariri
7,347,876	B2	3/2008	Tsai
7,413,734	B2	8/2008	Mistry et al.
7,494,802	B2	2/2009	Tseng et al.
7,569,385	B2	8/2009	Haas
7,611,895	B2	11/2009	Tan et al.
7,727,550	B2	6/2010	Siegal et al.
7,824,671	B2	11/2010	Binder et al.
7,871,646	B2	1/2011	Ghinelli
7,905,826	B2	3/2011	Case et al.
7,928,280	B2	4/2011	Hariri et al.
7,968,336	B2	6/2011	Atala et al.
7,976,836	B2	7/2011	Hariri
7,993,918	B2	8/2011	Paludan et al.

- (21) Appl. No.: **13/954,974**
- (22) Filed: **Jul. 30, 2013**

(Continued)

- (65) **Prior Publication Data**  
US 2013/0337035 A1 Dec. 19, 2013

**FOREIGN PATENT DOCUMENTS**

CN	200610156533	12/2007
FR	2892311	4/2007
JP	08-266613	10/1996

**Related U.S. Application Data**

**OTHER PUBLICATIONS**

- (63) Continuation of application No. 13/569,095, filed on Aug. 7, 2012, now Pat. No. 8,597,687, which is a continuation of application No. 11/840,728, filed on Aug. 17, 2007, now Pat. No. 8,372,437.
- (60) Provisional application No. 60/838,467, filed on Aug. 17, 2006.
- (51) **Int. Cl.**  
**A61K 35/50** (2006.01)
- (52) **U.S. Cl.**  
USPC ..... **424/583**
- (58) **Field of Classification Search**  
None  
See application file for complete search history.

Bhatia, et al., "The Mechanism of Cell Interaction and Response on Decellularized Human Amniotic Membrane: Implications in Wound Healing," <http://www.woundsresearch.com/article/7614>, pp. 1-24, May 7, 2008.

Ebihara, et al., "The Functions of Exogenous and Endogenous Laminin-5 on Corneal Epithelial Cells," *Exp. Eye Res.*, (2000), 71:69-79.

Fukuda, et al., "Differential Distribution of Subchains of the Basement Membrane Components Type IV Collagen and Laminin Among the Amniotic Membrane, Cornea, and Conjunctiva," *Cornea*, (1999), 18(1):73-79.

(Continued)

*Primary Examiner* — Allison Ford  
(74) *Attorney, Agent, or Firm* — Foley & Lardner LLP

- (56) **References Cited**  
U.S. PATENT DOCUMENTS

(57) **ABSTRACT**

4,361,552	A	11/1982	Baur, Jr.
4,846,165	A	7/1989	Hare et al.
5,197,976	A	3/1993	Herweck et al.
5,336,616	A	8/1994	Livesey et al.
5,350,583	A	9/1994	Yoshizato et al.
5,580,923	A	12/1996	Yeung et al.
5,607,590	A	3/1997	Shimizu
5,612,028	A	3/1997	Sackier et al.
5,618,312	A	4/1997	Yui et al.
5,711,969	A	1/1998	Patel et al.
5,882,929	A	3/1999	Fofonoff et al.
5,885,619	A	3/1999	Patel et al.
5,916,266	A	6/1999	Yui et al.
5,955,110	A	9/1999	Patel et al.
5,968,096	A	10/1999	Whitson et al.
5,997,575	A	12/1999	Whitson et al.
6,143,315	A	11/2000	Wang et al.
6,146,414	A	11/2000	Gelman
6,152,142	A	11/2000	Tseng
6,326,019	B1	12/2001	Tseng
6,379,710	B1	4/2002	Badylak
6,398,797	B2	6/2002	Bombard et al.
6,544,289	B2	4/2003	Wolfenbarger et al.

A method for preparing placenta membrane tissue grafts for medical use, includes obtaining a placenta from a subject, cleaning the placenta, separating the chorion tissue from the amniotic membrane, mounting a selected layer of either the chorion tissue or the amniotic membrane onto a drying fixture, dehydrating the selected layer on the drying fixture, and cutting the selected layer into a plurality of tissue grafts. Preferably, the drying fixture includes grooves or raised edges that define the outer contours of each desired tissue graft, after they are cut, and further includes raised or indented logos that emboss the middle area of the tissue grafts during dehydration and that enables an end user to distinguish the top from the bottom side of the graft. The grafts are comprised of single layers of amnion or chorion, multiple layers of amnion or chorion, or multiple layers of a combination of amnion and chorion.

(56)

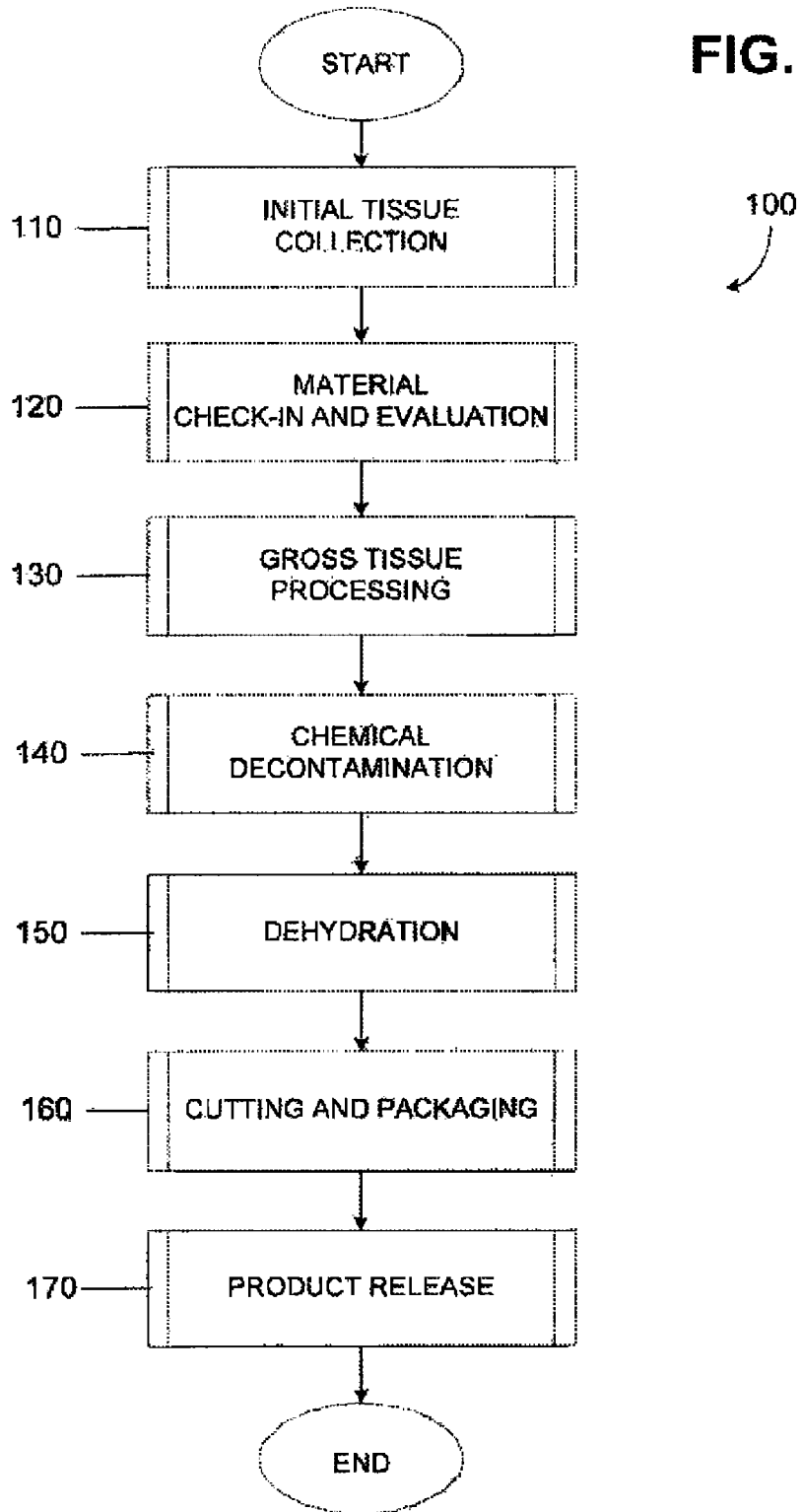
## References Cited

## U.S. PATENT DOCUMENTS

- 8,460,715 B2 6/2013 Daniel  
 8,460,716 B2 6/2013 Daniel  
 2001/0041684 A1 11/2001 Lezdey et al.  
 2001/0053839 A1 12/2001 Noishiki et al.  
 2001/0056303 A1 12/2001 Caneiro et al.  
 2002/0034757 A1 3/2002 Cubicciotti  
 2002/0039788 A1 4/2002 Isseroff et al.  
 2002/0103542 A1 8/2002 Bilbo  
 2002/0128222 A1 9/2002 Herndon et al.  
 2003/0032179 A1 2/2003 Hariri  
 2003/0135284 A1 7/2003 Crouch et al.  
 2003/0187515 A1 10/2003 Hariri et al.  
 2003/0235580 A1 12/2003 Zhang  
 2003/0235909 A1 12/2003 Hariri et al.  
 2004/0028660 A1 2/2004 Hariri et al.  
 2004/0039453 A1 2/2004 Anderson et al.  
 2004/0048796 A1 3/2004 Hariri et al.  
 2004/0057938 A1 3/2004 Ghinelli  
 2004/0126878 A1 7/2004 Ramos et al.  
 2004/0171147 A1 9/2004 Hariri  
 2004/0219136 A1 11/2004 Hariri  
 2004/0265293 A1 12/2004 Crowe et al.  
 2005/0026279 A1 2/2005 Tseng et al.  
 2005/0027356 A1 2/2005 Fishman et al.  
 2005/0042595 A1 2/2005 Haas  
 2005/0054093 A1 3/2005 Haas  
 2005/0089513 A1 4/2005 Sakuragawa et al.  
 2005/0107876 A1 5/2005 Kim et al.  
 2005/0118712 A1 6/2005 Tsai et al.  
 2005/0118715 A1 6/2005 Hariri et al.  
 2005/0124003 A1 6/2005 Atala et al.  
 2005/0148034 A1 7/2005 Hariri et al.  
 2005/0244963 A1 11/2005 Teplyashin  
 2005/0287223 A1 12/2005 Peyman  
 2006/0002900 A1 1/2006 Binder et al.  
 2006/0004189 A1 1/2006 Gandy  
 2006/0153815 A1 7/2006 Seyda et al.  
 2006/0222634 A1 10/2006 Clarke et al.  
 2006/0228339 A1 10/2006 Wang  
 2006/0281178 A1 12/2006 Sakuragawa et al.  
 2007/0020225 A1 1/2007 Abramson et al.  
 2007/0021704 A1 1/2007 Hariri et al.  
 2007/0021762 A1 1/2007 Liu et al.  
 2007/0025973 A1 2/2007 Fitzsimmons et al.  
 2007/0031384 A1 2/2007 Atala et al.  
 2007/0031471 A1 2/2007 Peyman  
 2007/0038298 A1 2/2007 Sulner et al.  
 2007/0048292 A1 3/2007 Morita et al.  
 2007/0071740 A1 3/2007 Tseng et al.  
 2007/0071828 A1 3/2007 Tseng et al.  
 2007/0116682 A1 5/2007 Atala et al.  
 2007/0116683 A1 5/2007 Atala et al.  
 2007/0116684 A1 5/2007 Atala et al.  
 2007/0122903 A1 5/2007 Rezanian et al.  
 2007/0128719 A1 6/2007 Tseng et al.  
 2007/0134210 A1 6/2007 Heidaran  
 2007/0154515 A1 7/2007 Johnson et al.  
 2007/0190042 A1 8/2007 Edinger et al.  
 2007/0218039 A1 9/2007 Devi et al.  
 2007/0231401 A1 10/2007 Tseng et al.  
 2007/0254005 A1 11/2007 Pathak et al.  
 2007/0254013 A1 11/2007 Taguchi et al.  
 2007/0269791 A1 11/2007 Takami et al.  
 2007/0292401 A1 12/2007 Harmon et al.  
 2008/0032401 A1 2/2008 Edinger et al.  
 2008/0039940 A1 2/2008 Hashimoto et al.  
 2008/0044848 A1 2/2008 Heidaran  
 2008/0069895 A1 3/2008 Liu et al.  
 2008/0102135 A1 5/2008 Ollivier  
 2008/0102506 A1 5/2008 Teplyashin  
 2008/0108045 A1 5/2008 Ghinelli  
 2008/0113007 A1 5/2008 Kurihara et al.  
 2008/0131522 A1 6/2008 Liu et al.  
 2008/0159999 A1 7/2008 Stefanidis  
 2008/0181935 A1 7/2008 Bhatia et al.  
 2008/0181967 A1 7/2008 Liu et al.  
 2008/0193554 A1 8/2008 Dua et al.  
 2008/0213389 A1 9/2008 Lelkes et al.  
 2008/0233552 A1 9/2008 Ma et al.  
 2008/0248005 A1 10/2008 Phan  
 2008/0299087 A1 12/2008 Tseng et al.  
 2009/0258082 A1 10/2009 Nikaido et al.  
 2010/0015712 A1 1/2010 Sakuragawa et al.  
 2010/0098743 A1 4/2010 Nikaido et al.  
 2010/0124569 A1 5/2010 Abbot et al.  
 2010/0228335 A1 9/2010 Schorgl et al.  
 2010/0254954 A1 10/2010 Sakuragawa et al.  
 2010/0266553 A1 10/2010 Ra et al.  
 2010/0284978 A1 11/2010 Weiss et al.  
 2010/0330672 A1 12/2010 Sakuragawa et al.  
 2011/0076770 A1 3/2011 Sakai et al.  
 2011/0129520 A1 6/2011 Bogdansky et al.  
 2011/0189301 A1 8/2011 Yang et al.  
 2011/0206776 A1 8/2011 Tom et al.  
 2011/0212158 A1 9/2011 Tom et al.  
 2011/0256202 A1 10/2011 Tom et al.  
 2011/0293691 A1 12/2011 Weber et al.  
 2011/0307059 A1 12/2011 Young et al.  
 2012/0294810 A1 11/2012 Daniel  
 2012/0294811 A1 11/2012 Daniel

## OTHER PUBLICATIONS

- Hao, et al., "Identification of Antiangiogenic and Antiinflammatory Proteins in Human Amniotic Membrane," *Cornea*, (2000), 19(3):348-352.  
 Koizumi, et al., "Growth Factor mRNA and protein in preserved human amniotic membrane," *Current Eye Reserach*, (2000), 20(3):173-177.  
 Niknejad et al., "Properties of the Amniotic Membrane for Potential Use in Tissue Engineering," *European Cells and Materials*, (2008), 15:88-99.  
 Pakkala, et al., "Function of Laminins and Laminin-Binding Integrins in Gingival Epithelial Cell Adhesion," *J. Periodontol*, (2002), 709-719.  
 Park, et al., "Healing of a porcine burn wound dressed with human and bovine amniotic membranes," *Wound Rep. Reg.*, (2008), 16:520-528.  
 Rinastiti, et al., "Histological evaluation of rabbit gingival wound healing transplanted with human amniotic membrane," *Int. J. Oral Maxillofac. Surg.*, (2006), 35:247-251.  
 Takashima, et al., "Characterization of laminin isoforms in human amnion," *Tissue and Cell*, (2008), 40:75-77.  
 Talmi, et al., "Antibacterial Properties of Human Amniotic Membranes," *Placenta*, (1991), 12:285-288.  
 Toda et al., "The Potential of Amniotic Membrane/Amnion-Derived Cells for Regeneration of Various Tissues," *J. Pharmacol. Sci.*, (2007), 105:215-228.



Tissue Check-In Form

FIG. 2

---

---

Tissue ID: \_\_\_\_\_ Date: \_\_\_\_\_ Time: \_\_\_\_\_

Inspect Shipment:

Is the shipping container sealed and intact?  Yes  No

Is ice or other coolant present and is contents cool?  Yes  No

Is donor paperwork present?  Yes  No

Does donor number on paperwork and tissue ID correspond?  Yes  No

---

Log Tissue into Refrigerator Log:

Complete  Yes  No

Shipment Accepted:  Accept  
 Reject

By: \_\_\_\_\_ Date: \_\_\_\_\_

Reason for Rejection: \_\_\_\_\_

Comments: \_\_\_\_\_

Signature: \_\_\_\_\_ Date: \_\_\_\_\_ Time: \_\_\_\_\_

Raw Tissue Assessment Form

FIG. 3

Donor: \_\_\_\_\_ Date: \_\_\_\_\_

Inspect tissue:

- Is the tissue discolored?  Yes  No
- Is there any debris present?  Yes  No
- Does the tissue present any unacceptable odor?  Yes  No
- Tissue shows signs of damage?  Yes  No

*If "Yes" to any questions above, sketch diagram of tissue including notable features:*

Tissue is acceptable for processing:  Pass  Fail

Size of tissue: \_\_\_\_\_ CM X \_\_\_\_\_ CM

Comments: \_\_\_\_\_

*Tissue has been assessed according to SOP Raw Tissue Assessment (SB-0205-P) and deemed acceptable for processing.*

Signature: \_\_\_\_\_ Date: \_\_\_\_\_

Dehydration Process Form

FIG. 4

Load Technician:		Start Date:	/ /
		Start Time:	:
Confirm Oven Set Temperature @ 45°C <input type="checkbox"/>			
Enter all Donor Numbers Below			
01			
02			
03			
04			
05			
06			
07			
08			
09			
10			
Quantity of Tissues Dried:		Finish Time:	:
		Finish Date:	/ /
	Total Dehydration Time:	hours	minutes
Residual Moisture Samples Prepared: <input type="checkbox"/>			
Unload Technician:			
QA Review:		Date:	

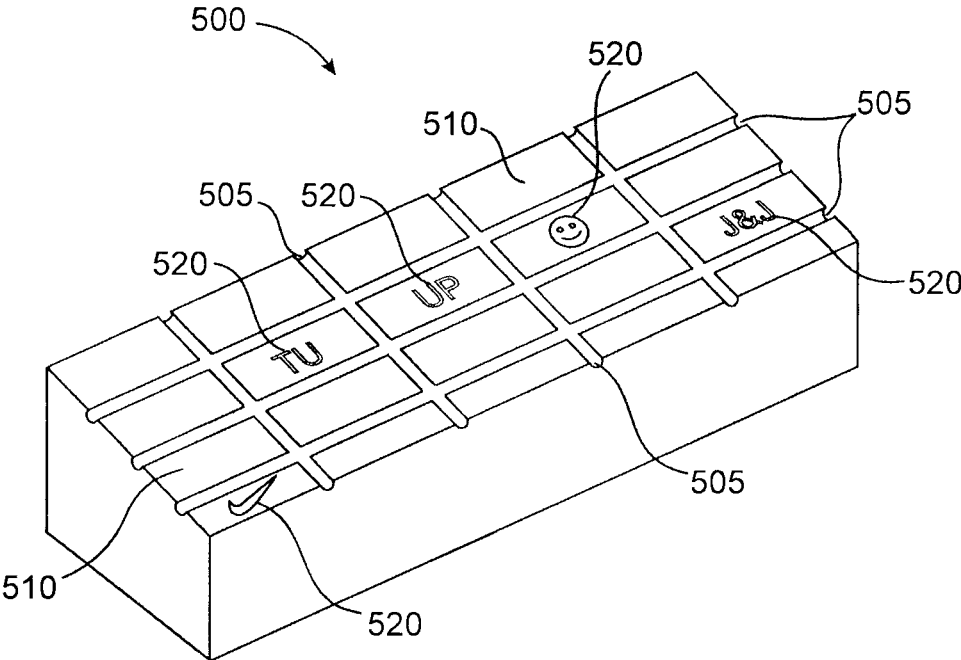


FIG. 5

**PLACENTAL TISSUE GRAFTS****CROSS-REFERENCE TO RELATED APPLICATION**

This application is a continuation of U.S. patent application Ser. No. 13/569,095, filed on Aug. 7, 2012, entitled "Methods for Determining the Orientation of a Tissue Graft", which is a continuation of U.S. patent application Ser. No. 11/840,728, filed on Aug. 17, 2007, now U.S. Pat. No. 8,372,437, which claims the benefit under 35 U.S.C. §119(e) of U.S. provisional patent application No. 60/838,467, entitled "Method and System for Preserving Amnion Tissue For Later Transplant," filed Aug. 17, 2006. The contents of these applications are incorporated herein by reference in their entirety.

**FIELD OF THE INVENTION**

The present invention relates generally to tissue allografts and, in particular, to placental membrane tissue grafts (amnion and chorion) and methods of preparing, preserving, and medical uses for the same.

**BACKGROUND OF THE INVENTION**

Human placental membrane (e.g. amniotic membrane or tissue) has been used for various types of reconstructive surgical procedures since the early 1900s. The membrane serves as a substrate material, more commonly referred to as a biological dressing or patch graft. Such membrane has also been used widely for ophthalmic procedures in the United States and in countries in the southern hemisphere. Typically, such membrane is either frozen or dried for preservation and storage until needed for surgery.

Such placental tissue is typically harvested after an elective Cesarean surgery. The placenta has two primary layers of tissue including amniotic membrane and chorion. The amniotic membrane is a non-vascular tissue that is the innermost layer of the placenta, and consists of a single layer, which is attached to a basement membrane. Histological evaluation indicates that the membrane layers of the amniotic membrane consist of epithelium cells, thin reticular fibers (basement membrane), a thick compact layer, and fibroblast layer. The fibrous layer of amnion (i.e., the basement membrane) contains cell anchoring collagen types IV, V, and VII. The chorion is also considered as part of the fetal membrane; however, the amniotic layer and chorion layer are separate and separable entities.

Amniotic membrane and chorion tissue provide unique grafting characteristics when used for surgical procedures, including providing a matrix for cellular migration/proliferation, providing a natural biological barrier, are non-immunogenic, promote increased self-healing, are susceptible of being fixed in place using different techniques including fibrin glue or suturing. And, such grafts, when properly prepared, can be stored at room temperature for extended periods of time, without need for refrigeration or freezing, until needed for a surgical procedure.

Known clinical procedures or applications for such amnion grafts include Schnciderian Membrane repair (i.e. sinus lift), guided tissue regeneration (GTR), general wound care, and primary closure membrane. Known clinical procedures or applications for such chorion grafts include biological wound dressing.

A detailed look at the history and procedure for harvesting and using "live" amniotic tissue for surgical procedures and a method for harvesting and freezing amniotic tissue grafts for

ophthalmic procedures is described in U.S. Pat. No. 6,152,142 issued to Tseng, which is incorporated herein by reference in its entirety.

There is a need for improved procedures for harvesting, processing, and preparing amnion and/or chorion tissue for later surgical grafting procedures.

There is a need for improved procedures for processing and preparing multiple layers of amnion and/or chorion tissue for later surgical grafting procedures.

There is a need for preparing and storing such tissue such that the stroma and basement sides of the tissue are easily and quickly identifiable by a surgeon when using such tissue in a surgical procedure.

For these and many other reasons, there is a general need for a method for preparing placenta membrane tissue grafts for medical use, and that includes the steps of obtaining a placenta from a subject, cleaning the placenta, separating the chorion from the amniotic membrane, disinfecting the chorion and/or amniotic membrane, mounting a selected layer of either the chorion or the amniotic membrane onto a drying fixture, dehydrating the selected layer on the drying fixture, and cutting the selected layer into a plurality of tissue grafts. There is an additional need for a drying fixture that includes grooves or raised edges that define the outer contours of each desired tissue graft and that make cutting of the grafts more accurate and easy. There is a further need for a drying fixture that includes raised or indented logos, textures, designs, or text that emboss the middle area of the tissue grafts during dehydration and that enables an end user to be able to distinguish the top surface from the bottom surface of the graft, which is often necessary to know prior to using such grafts in a medical application or surgical procedure. Such logos, textures, designs, or text can be used for informational purposes or they can, additionally and advantageously, be used for marketing or advertising purposes. There is a need for grafts that are comprised of single layers of amnion or chorion, multiple layers of amnion or chorion, or multiple layers of a combination of amnion and chorion.

The present invention meets one or more of the above-referenced needs as described herein in greater detail.

**SUMMARY OF THE INVENTION**

One embodiment of the present invention is directed to one or more methods of preparing placenta membrane tissue grafts, comprising the steps of obtaining a placenta from a subject, wherein the placenta includes an amniotic membrane layer and a chorion tissue layer, cleaning the placenta in a solution, separating the chorion tissue layer from the amniotic membrane layer, mounting a selected layer of either the chorion tissue layer or the amniotic membrane layer onto a surface of the drying fixture, dehydrating the selected layer on the drying fixture, and thereafter, cutting the selected layer into a plurality of placenta membrane tissue grafts. The placenta membrane tissue grafts can be either amniotic membrane tissue grafts or chorion tissue grafts. Since amniotic membrane has a stromal side and an opposite, basement side, when dehydrating an amniotic membrane layer, such layer is mounted onto the drying fixture with the basement side facing down and stromal side facing up.

Preferably, the drying fixture includes a texture or design adapted to emboss such texture or design into the placenta membrane tissue grafts during the step of dehydration wherein the texture or design embossed into the placenta membrane tissue enable a user to identify a top and bottom surface of the placenta membrane tissue.



Preferably, the placenta is cleaned in a hyperisotonic solution wherein the hyperisotonic solution comprises NaCl concentration in a range of from about 30% to about 10%.

In some embodiments, the method further comprises the step of, after separation of the chorion tissue layer from the amniotic membrane layer, soaking the selected layer in an antibiotic solution. Optionally, the method then also includes the step of rinsing the selected layer to remove the antibiotic solution.

In some embodiments, the method further includes the step of, after separation of the chorion tissue layer from the amniotic membrane layer, physically cleaning the selected layer to remove blood clots and other contaminants.

In other features, the step of dehydrating the selected layer further comprises placing the drying fixture in a breathable bag and heating the bag for a predetermined period of time. Preferably, the bag is heated at a temperature of between 35 degrees and 50 degrees Celsius and the predetermined period of time is between 30 and 120 minutes, wherein 45 degrees Celsius and 45 minutes of time in a non-vacuum over or incubator for a single layer of tissue generally seems ideal.

In one arrangement, the surface of the drying fixture has a plurality of grooves that defines the outer contours of each of the plurality of placenta membrane tissue grafts and wherein the step of cutting comprises cutting the selected layer along the grooves.

In another arrangement, the surface of the drying fixture has a plurality of raised edges that define the outer contours of each of the plurality of placenta membrane tissue grafts and wherein the step of cutting comprises rolling a roller across the top of the selected layer and pressing the selected layer against the raised edges.

In another feature, the method further comprises the step of mounting one or more additional layers of chorion tissue or amniotic layer onto the surface of the drying fixture prior to the step of dehydration to create a plurality of laminated placenta membrane tissue grafts having a thickness and strength greater than a single layer of placenta membrane tissue grafts.

In a further feature, each of the plurality of placenta membrane tissue grafts is rehydrated prior to use of the respective graft for a medical procedure.

In yet further features, the present invention includes tissue grafts processed and prepared according to any of the methods described herein.

In another embodiment, the present invention is directed to a tissue graft that comprises a dehydrated, placenta tissue having a top and bottom surface and an outer contour sized and shaped for use in a suitable medical procedure, wherein a texture or design is embossed within the dehydrated, placenta tissue and wherein the embossment distinguishes the top from the bottom surface of the placenta tissue; and wherein the dehydrated, placenta tissue graft is usable in the suitable medical procedure after being rehydrated. In a feature of this embodiment, the dehydrated, placenta tissue comprises either an amniotic membrane layer or a chorion tissue layer. In yet another feature, the dehydrated, placenta tissue comprises two or more layers of amniotic membrane and chorion tissue, wherein the two or more layers include a plurality of amniotic membrane, a plurality of chorion tissue, or a plurality of amniotic membrane and chorion tissue.

These and other aspects of the present invention will become apparent from the following description of the preferred embodiment taken in conjunction with the following drawings, although variations and modifications therein may be affected without departing from the spirit and scope of the novel concepts of the disclosure.

#### BRIEF DESCRIPTION OF THE DRAWINGS

Further features and benefits of the present invention will be apparent from a detailed description of preferred embodiments thereof taken in conjunction with the following drawings, wherein similar elements are referred to with similar reference numbers, and wherein:

FIG. 1 is a high level flow chart of the primary steps performed in a preferred embodiment of the present invention;

FIG. 2 is an exemplary tissue check-in form used with the preferred embodiment of the present invention;

FIG. 3 is an exemplary raw tissue assessment form used with the preferred embodiment of the present invention;

FIG. 4 is an exemplary dehydration process form used with the preferred embodiment of the present invention;

FIG. 5 is a perspective view of an exemplary drying fixture for use with a preferred embodiment of the present invention.

#### DETAILED DESCRIPTION OF THE PREFERRED EMBODIMENTS

The present invention is more particularly described in the following examples and embodiments that are intended as illustrative only since numerous modifications and variations therein will be apparent to those skilled in the art. Various embodiments of the invention are now described in greater detail. As used in the description herein and throughout the claims that follow, the meaning of “a”, “an”, and “the” includes plural reference unless the context clearly dictates otherwise. Also, as used in the description herein and throughout the claims that follow, the meaning of “in” includes “in” and “on” unless the context clearly dictates otherwise. Moreover, titles or subtitles may be used in the specification for the convenience of a reader, which are not intended to influence the scope of the present invention. Additionally, some terms used in this specification are more specifically defined below.

Without intent to limit the scope of the invention, exemplary instruments, apparatus, methods and their related results according to the embodiments of the present invention are given below. Note that titles or subtitles may be used in the discussion of exemplary embodiments of the present invention for convenience of a reader, which in no way should limit the scope of the invention. Moreover, certain theories are proposed and disclosed herein; however, in no way they, whether they are right or wrong, should limit the scope of the invention so long as the invention is practiced according to the invention without regard for any particular theory or scheme of action.

#### Overview of the Process

Turning first to FIG. 1, a high level overview of the steps undertaken to harvest, process, and prepare placental material for later use as an allograft is disclosed. More detailed descriptions and discussion regarding each individual step will follow. At a high level, initially, the placenta tissue is collected from a consenting patient following an elective Cesarean surgery (step 110). The material is preserved and transported in conventional tissue preservation manner to a suitable processing location or facility for check-in and evaluation (step 120). Gross processing, handling, and separation of the tissue layers then takes place (step 130). Acceptable tissue is then decontaminated (step 140), dehydrated (step 150), cut and packaged (step 160), and released

(step 170) to the market for use by surgeons and other medical professionals in appropriate surgical procedures and for wound care.

#### Initial Tissue Collection (Step 110)

The recovery of placenta tissue originates in a hospital, where it is collected during a Cesarean section birth. The donor, referring to the mother who is about to give birth, voluntarily submits to a comprehensive screening process designed to provide the safest tissue possible for transplantation. The screening process preferably tests for antibodies to the human immunodeficiency virus type 1 and type 2 (anti-HIV-1 and anti-HIV-2), hepatitis B surface antigens (HBsAg), antibodies to the hepatitis C virus (anti-HCV), antibodies to the human T-lymphotropic virus type I and type II (anti-HTLV-I and anti-HTLV-II), CMV, and syphilis, using conventional serological tests. The above list of tests is exemplary only, as more, fewer, or different tests may be desired or necessary over time or based upon the intended use of the grafts, as will be appreciated by those skilled in the art.

Based upon a review of the donor's information and screening test results, the donor will either be deemed acceptable or not. In addition, at the time of delivery, cultures are taken to determine the presence of, for example, *Clostridium* or *Streptococcus*. If the donor's information, screening tests, and the delivery cultures are all negative (i.e., do not indicate any risks or indicate acceptable level of risk), the donor is approved and the tissue specimen is designated as initially eligible for further processing and evaluation.

Human placentas that meet the above selection criteria are preferably bagged in a saline solution in a sterile shipment bag and stored in a container of wet ice for shipment to a processing location or laboratory for further processing.

If the placenta tissue is collected prior to the completion or obtaining of results from the screening tests and delivery cultures, such tissue is labeled and kept in quarantine. The tissue is approved for further processing only after the required screening assessments and delivery cultures, which declare the tissue safe for handling and use, are satisfied.

#### Material Check-In and Evaluation (Step 120)

Upon arrival at the processing center or laboratory, the shipment is opened and verified that the sterile shipment bag/container is still sealed and intact, that ice or other coolant is present and that the contents are cool, that the appropriate donor paperwork is present, and that the donor number on the paperwork matches the number on the sterile shipment bag containing the tissue. The sterile shipment bag containing the tissue is then stored in a refrigerator until ready for further processing. All appropriate forms, including a tissue check-in form, such as that shown in FIG. 2, are completed and chain of custody and handling logs (not shown) are also completed.

#### Gross Tissue Processing (Step 130)

When the tissue is ready to be processed further, the sterile supplies necessary for processing the placenta tissue further are assembled in a staging area in a controlled environment and are prepared for introduction into a critical environment. If the critical environment is a manufacturing hood, the sterile supplies are opened and placed into the hood using conventional sterile technique. If the critical environment is a clean room, the sterile supplies are opened and placed on a cart covered by a sterile drape. All the work surfaces are covered by a piece of sterile drape using conventional sterile tech-

niques, and the sterile supplies and the processing equipments are placed on to the sterile drape, again using conventional sterile technique.

Processing equipment is decontaminated according to conventional and industry-approved decontamination procedures and then introduced into the critical environment. The equipment is strategically placed within the critical environment to minimize the chance for the equipment to come in proximity to or is inadvertently contaminated by the tissue specimen.

Next, the placenta is removed from the sterile shipment bag and transferred aseptically to a sterile processing basin within the critical environment. The sterile basin contains, preferably, 18% NaCl (hyperisotonic saline) solution that is at room or near room temperature. The placenta is gently massaged to help separate blood clots and to allow the placenta tissue to reach room temperature, which will make the separation of the amnion and chorion layers from each other, as discussed hereinafter, easier. After having warmed up to the ambient temperature (after about 10-30 minutes), the placenta is then removed from the sterile processing basin and laid flat on a processing tray with the amniotic membrane layer facing down for inspection.

The placenta tissue is examined and the results of the examination are documented on a "Raw Tissue Assessment Form" similar to that shown in FIG. 3. The placenta tissue is examined for discoloration, debris or other contamination, odor, and signs of damage. The size of the tissue is also noted. A determination is made, at this point, as to whether the tissue is acceptable for further processing.

Next, if the placenta tissue is deemed acceptable for further processing, the amnion and chorion layers of the placenta tissue are then carefully separated. The materials and equipments used in this procedure include the processing tray, 18% saline solution, sterile 4x4 sponges, and two sterile Nalgene jars. The placenta tissue is then closely examined to find an area (typically a corner) in which the amniotic membrane layer can be separated from the chorion layer. The amniotic membrane appears as a thin, opaque layer on the chorion.

With the placenta tissue in the processing tray with the amniotic membrane layer facing down, the chorion layer is gently lifted off the amniotic membrane layer in a slow, continuous motion, using care to prevent tearing of the amniotic membrane. If a tear starts, it is generally advisable to restart the separation process from a different location to minimize tearing of either layer of tissue. If the chorion layer is not needed, it may be gently scrubbed away from the amniotic membrane layer with one of the sterile 4x4 sponges by gently scrubbing the chorion in one direction. A new, sterile 4x4 sponge can be used whenever the prior sponge becomes too moist or laden with the chorion tissue. If the chorion is to be retained, then the separation process continues by hand, without the use of the sponges, being careful not to tear either the amnion layer or the chorion layer.

Care is then taken to remove blood clots and other extraneous tissue from each layer of tissue until the amniotic membrane tissue and the chorion are clean and ready for further processing. More specifically, the amnion and chorion tissues are placed on the processing tray and blood clots are carefully removed using a blunt instrument, a finger, or a sterile non-particulating gauze, by gently rubbing the blood until it is free from the stromal tissue of the amnion and from the trophoblast tissue of the chorion. The stromal layer of the amnion is the side of the amniotic membrane that faces the mother. In contrast, the basement membrane layer is the side of the amnion that faces the baby.

Using a blunt instrument, a cell scraper or sterile gauze, any residual debris or contamination is also removed. This step must be done with adequate care, again, so as not to tear the amnion or chorion tissues. The cleaning of the amnion is complete once the amnion tissue is smooth and opaque-white in appearance. If the amnion tissue is cleaned too much, the opaque layer can be removed. Any areas of the amnion cleaned too aggressively and appear clear will be unacceptable and will ultimately be discarded.

#### Chemical Decontamination (Step 140)

The amniotic membrane tissue is then placed into a sterile Nalgene jar for the next step of chemical decontamination. If the chorion is to be recovered and processed further, it too is placed in its own sterile Nalgene jar for the next step of chemical decontamination. If the chorion is not to be kept or used further, it can be discarded in an appropriate biohazard container.

Next, each Nalgene jar is aseptically filled with 18% saline solution and sealed (or closed with a top). The jar is then placed on a rocker platform and agitated for between 30 and 90 minutes, which further cleans the tissue of contaminants.

If the rocker platform was not in the critical environment (e.g., the manufacturing hood), the Nalgene jar is returned to the critical/sterile environment and opened. Using sterile forceps, the tissue is gently removed from the Nalgene jar containing the 18% hyperisotonic saline solution and placed into an empty Nalgene jar. This empty Nalgene jar with the tissue is then aseptically filled with a pre-mixed antibiotic solution. Preferably, the premixed antibiotic solution is comprised of a cocktail of antibiotics, such as Streptomycin Sulfate and Gentamicin Sulfate. Other antibiotics, such as Polymixin B Sulfate and Bacitracin, or similar antibiotics now available or available in the future, are also suitable. Additionally, it is preferred that the antibiotic solution be at room temperature when added so that it does not change the temperature of or otherwise damage the tissue. This jar or container containing the tissue and antibiotics is then sealed or closed and placed on a rocker platform and agitated for, preferably, between 60 and 90 minutes. Such rocking or agitation of the tissue within the antibiotic solution further cleans the tissue of contaminants and bacteria.

Again, if the rocker platform was not in the critical environment (e.g., the manufacturing hood), the jar or container containing the tissue and antibiotics is then returned to the critical/sterile environment and opened. Using sterile forceps, the tissue is gently removed from the jar or container and placed in a sterile basin containing sterile water or normal saline (0.9% saline solution). The tissue is allowed to soak in place in the sterile water/normal saline solution for at least 10 to 15 minutes. The tissue may be slightly agitated to facilitate removal of the antibiotic solution and any other contaminants from the tissue. After at least 10 to 15 minutes, the tissue is ready to be dehydrated and processed further.

#### Dehydration (Step 150)

Next, the now-rinsed tissue (whether it be the amniotic membrane or chorion tissue) is ready to be dehydrated. The amniotic membrane is laid, stromal side down, on a suitable drying fixture. The stromal side of the amniotic membrane is the “tackier” of the two sides of the amniotic membrane. A sterile, cotton tipped applicator may be used to determine which side of the amniotic tissue is tackier and, hence, the stromal side.

The drying fixture is preferably sized to be large enough to receive the tissue, fully, in laid out, flat fashion. The drying fixture is preferably made of Teflon or of Delrin, is the brand name for an acetal resin engineering plastic invented and sold by DuPont and which is also available commercially from Werner Machines, Inc. in Marietta, Ga. Any other suitable material that is heat and cut resistant, capable of being formed into an appropriate shape to receive wet tissue and to hold and maintain textured designs, logos, or text can also be used for the drying fixture. The tissue must be placed on the drying fixture so that it completely covers as many “product spaces” (as explained hereinafter) as possible.

In one embodiment, similar to that shown in FIG. 5, the receiving surface of the drying fixture 500 has grooves 505 that define the product spaces 510, which are the desired outer contours of the tissue after it is cut and of a size and shape that is desired for the applicable surgical procedure in which the tissue will be used. For example, the drying fixture can be laid out so that the grooves are in a grid arrangement. The grids on a single drying fixture may be the same uniform size or may include multiple sizes that are designed for different surgical applications. Nevertheless, any size and shape arrangement can be used for the drying fixture, as will be appreciated by those skilled in the art. In another embodiment, instead of having grooves to define the product spaces, the drying fixture has raised ridges or blades.

Within the “empty” space between the grooves or ridges, the drying fixture preferably includes a slightly raised or indented texture in the form of text, logo, name, or similar design 520. This textured text, logo, name, or design can be customized or private labeled depending upon the company that will be selling the graft or depending upon the desired attributes requested by the end user (e.g., surgeon). When dried, the tissue will mold itself around the raised texture or into the indented texture—essentially providing a label within the tissue itself. Preferably, such texture/label can be read or viewed on the tissue in only one orientation so that, after drying and cutting, an end user (typically, a surgeon) of the dried tissue will be able to tell the stromal side from the basement side of the dried tissue. The reason this is desired is because, during a surgical procedure, it is desirable to place the allograft in place, with basement side down or adjacent the native tissue of the patient receiving the allograft. FIG. 5 illustrates a variety of marks, logos, and text 520 that can be included within the empty spaces 510 of the drying fixture 500. Typically, a single drying fixture will include the same design or text within all of the empty spaces; however, FIG. 5 shows, for illustrative purposes, a wide variety of designs that can be included on such drying fixtures to emboss each graft.

In a preferred embodiment, only one layer of tissue is placed on the drying fixture. In alternate embodiments, multiple layers of tissue are placed on the same drying fixture to create a laminate-type allograft material that is thicker and stronger than a single layer of allograft material. The actual number of layers will depend upon the surgical need and procedure with which the allograft is designed to be used.

Once the tissue(s) is placed on the drying fixture, the drying fixture is placed in a sterile Tyvex (or similar, breathable, heat-resistant, and sealable material) dehydration bag and sealed. Such breathable dehydration bag prevents the tissue from drying too quickly. If multiple drying fixtures are being processed simultaneously, each drying fixture is either placed in its own Tyvex bag or, alternatively, placed into a suitable mounting frame that is designed to hold multiple drying frames thereon and the entire frame is then placed into a larger, single sterile Tyvex dehydration bag and sealed.

The Tyvex dehydration bag containing the one or more drying fixtures is then placed into a non-vacuum oven or incubator that has been preheated to approximately 35 to 50 degrees Celsius. The Tyvex bag remains in the oven for between 30 and 120 minutes, although approximately 45 minutes at a temperature of approximately 45 degrees Celsius appears to be ideal to dry the tissue sufficiently but without over-drying or burning the tissue. The specific temperature and time for any specific oven will need to be calibrated and adjusted based on other factors including altitude, size of the oven, accuracy of the oven temperature, material used for the drying fixture, number of drying fixtures being dried simultaneously, whether a single or multiple frames of drying fixtures are dried simultaneously, and the like.

An appropriate Dehydration recordation form, similar to that shown in FIG. 4, is completed at the end of the dehydration process.

#### Cutting & Packaging (Step 160)

Once the tissue has been adequately dehydrated, the tissue is then ready to be cut into specific product sizes and appropriately packages for storage and later surgical use. First, the Tyvex bag containing the dehydrated tissue is placed back into the sterile/critical environment. The number of grafts to be produced is estimated based on the size and shape of the tissue on the drying fixture(s). An appropriate number of pouches, one for each allograft, are then also introduced into the sterile/critical environment. The drying fixture(s) are then removed from the Tyvex bag.

If the drying fixture has grooves, then the following procedure is followed for cutting the tissue into product sizes. Preferably, if the drying fixture is configured in a grid pattern, a #20 or similar straight or rolling blade is used to cut along each groove line in parallel. Then, all lines in the perpendicular direction are cut.

If the drying fixture has raised edges or blades, then the following procedure is followed for cutting the tissue into product sizes. Preferably, a sterile roller is used to roll across the drying fixture. Sufficient pressure must be applied so that the dehydrated tissue is cut along all of the raised blades or edges of the drying fixture.

After cutting, each separate piece or tissue graft is placed in a respective "inner" pouch. The inner pouch, which preferably has a clear side and an opaque side, should be oriented clear side facing up. The tissue graft is placed in the "inner" pouch so that the texture in the form of text, logo, name, or similar design is facing out through the clear side of the inner pouch and is visible outside of the inner pouch. This process is repeated for each separate graft.

Each tissue graft is then given a final inspection to confirm that there are no tears or holes, that the product size (as cut) is within approximately 1 millimeter (plus or minus) of the specified size for that particular graft, that there are no noticeable blemishes or discoloration of the tissue, and that the textured logo or wording is readable and viewable through the "inner" pouch.

To the extent possible, oxygen is removed from the inner pouch before it is sealed. The inner pouch can be sealed in any suitable manner; however, a heat seal has shown to be effective. Next, each inner pouch is separately packaged in an "outer" pouch for further protection, storage, and shipment.

It should be noted that the above process does not require freezing of the tissue to kill unwanted cells, to decontaminate the tissue, or otherwise to preserve the tissue. The dehydrated

allografts are designed to be stored and shipped at room or ambient temperature, without need for refrigeration or freezing.

#### Product Release (Step 170)

Before the product is ready for shipment and release to the end user, a final inspection is made of both the inner and outer pouches. This final inspection ensure that the allograft contained therein matches the product specifications (size, shape, tissue type, tissue thickness (# of layers), design logo, etc.) identified on the packaging label Each package is inspected for holes, broken seals, burns, tears, contamination, or other physical defects. Each allograft is also inspected to confirm uniformity of appearance, including the absence of spots or discoloration.

Appropriate labeling and chain of custody is observed throughout all of the above processes, in accordance with accepted industry standards and practice. Appropriate clean room and sterile working conditions are maintained and used, to the extent possible, throughout the above processes.

#### Overview of Clinical Applications

In practice, it has been determined that the above allograft materials can be stored in room temperature conditions safely for at least five (5) years.

When ready for use, such allografts are re-hydrated by soaking them in BSS (buffered saline solution), 0.9% saline solution, or sterile water for 30-90 seconds.

Amnion membrane has the following properties and has been shown to be suitable for the following surgical procedures and indications: Guided Tissue Regeneration (GTR), Schneiderian Membrane repair, primary closure, and general wound care.

Laminated amnion membrane has the following properties and has been shown to be suitable for the following surgical procedures and indications: GTR, Reconstructive, General Wound Care, Neurological, ENT.

Chorion tissue grafts have the following properties and have been shown to be suitable for the following surgical procedures and indications: Biological Dressing or Covering.

Laminated chorion tissue grafts have the following properties and have been shown to be suitable for the following surgical procedures and indications: GTR, Reconstructive, General Wound Care, Neurological, ENT.

Laminated amnion and chorion combined tissue grafts have the following properties and have been shown to be suitable for the following surgical procedures and indications: Advanced Ocular Defects, Reconstructive, General Wound Care, Biological Dressing.

Although the above processes have been described specifically in association with amnion membrane and chorion recovered from placenta tissue, it should be understood that the above techniques and procedures are susceptible and usable for many other types of human and animal tissues. In addition, although the above procedures and tissues have been described for use with allograft tissues, such procedures and techniques are likewise suitable and usable for xenograft and isograft applications.

In view of the foregoing detailed description of preferred embodiments of the present invention, it readily will be understood by those persons skilled in the art that the present invention is susceptible to broad utility and application. While various aspects have been described in the context of screen shots, additional aspects, features, and methodologies of the present invention will be readily discernable therefrom.

11

Many embodiments and adaptations of the present invention other than those herein described, as well as many variations, modifications, and equivalent arrangements and methodologies, will be apparent from or reasonably suggested by the present invention and the foregoing description thereof, without departing from the substance or scope of the present invention. Furthermore, any sequence(s) and/or temporal order of steps of various processes described and claimed herein are those considered to be the best mode contemplated for carrying out the present invention. It should also be understood that, although steps of various processes may be shown and described as being in a preferred sequence or temporal order, the steps of any such processes are not limited to being carried out in any particular sequence or order, absent a specific indication of such to achieve a particular intended result. In most cases, the steps of such processes may be carried out in various different sequences and orders, while still falling within the scope of the present inventions. In addition, some steps may be carried out simultaneously. Accordingly, while the present invention has been described herein in detail in relation to preferred embodiments, it is to be understood that this disclosure is only illustrative and exemplary of the present invention and is made merely for purposes of providing a full and enabling disclosure of the invention. The foregoing disclosure is not intended nor is to be construed to limit the present invention or otherwise to exclude any such other embodiments, adaptations, variations, modifications and equivalent arrangements, the present invention being limited only by the claims appended hereto and the equivalents thereof.

What is claimed is:

1. A dehydrated, laminated tissue graft consisting essentially of one or more washed and/or substantially cleaned amnion layers and one or more washed and/or substantially cleaned chorion layers, wherein at least one of the amnion layers contains its fibroblast cell layer, and further wherein the amnion layer and the chorion layer are directly laminated to each other.

2. The dehydrated, laminated tissue graft of claim 1, wherein said assembled and laminated layers are dehydrated together in a drying fixture.

12

3. The dehydrated, laminated tissue graft of claim 1, wherein one or both of the one or more amnion layers and the one or more chorion layers are treated with an antibiotic prior to lamination.

4. The dehydrated, laminated tissue graft of claim 1, wherein the tissue graft has been exposed to sterilizing conditions.

5. The dehydrated, laminated tissue graft of claim 1, consisting essentially of one amnion layer and one chorion layer.

6. A dehydrated, laminated tissue graft, wherein the tissue graft consists essentially of one or more amnion layers and one or more chorion layers wherein each of the amnion and chorion layers:

are separated from a placenta to provide separate layers of amnion and chorion,

washed and substantially cleaned without removal of the fibroblast cell layer from the amnion layer, and

are layered directly over each other and are laminated and heat dehydrated together to provide the dehydrated, laminated tissue graft.

7. The tissue graft of claim 6, consisting essentially of one amnion layer and one chorion layer.

8. The tissue graft of claim 6, wherein at least one of the amnion or chorion layers has been chemically decontaminated.

9. A dehydrated, laminated, placental tissue graft which is a laminate comprising two or more separated and washed layers which layers are selected from amnion and/or chorion wherein the layers are directly laminated to each other and at least one of said layers is an amnion layer which retains an epithelial cellular layer.

10. A dehydrated, laminated, placental tissue graft which is a laminate comprising two or more separated and washed layers which layers are selected from amnion and/or chorion wherein the layers are directly laminated to each other and at least one of said layers is an amnion layer which retains a fibroblast cellular layer.

\* \* \* \* \*