



(12) **United States Patent**
Schraga

(10) **Patent No.:** **US 8,814,896 B2**
(45) **Date of Patent:** ***Aug. 26, 2014**

(54) **SINGLE USE LANCET ASSEMBLY**

USPC 606/181-183, 167, 170, 184, 185;
600/583

(71) Applicant: **Steven Schraga**, Surfside, FL (US)

See application file for complete search history.

(72) Inventor: **Steven Schraga**, Surfside, FL (US)

(56) **References Cited**

(73) Assignee: **Stat Medical Devices, Inc.**, North Miami, FL (US)

U.S. PATENT DOCUMENTS

(*) Notice: Subject to any disclaimer, the term of this patent is extended or adjusted under 35 U.S.C. 154(b) by 0 days.

This patent is subject to a terminal disclaimer.

55,775 A	6/1866	Klee
676,678 A	6/1901	Ellifrits
931,791 A	8/1909	Niergarth
1,135,465 A	4/1915	Pollock
2,586,581 A	2/1952	Tschischeck

(Continued)

(21) Appl. No.: **13/741,899**

FOREIGN PATENT DOCUMENTS

(22) Filed: **Jan. 15, 2013**

CA	2200502	9/1997
CA	2261852	8/1999

(Continued)

(65) **Prior Publication Data**

US 2013/0150876 A1 Jun. 13, 2013

Primary Examiner — Kathleen Holwerda

Related U.S. Application Data

(74) *Attorney, Agent, or Firm* — Malloy & Malloy, P.L.

(63) Continuation-in-part of application No. 13/270,525, filed on Oct. 11, 2011, now Pat. No. 8,353,924, which is a continuation of application No. 12/786,112, filed on May 24, 2010, now Pat. No. 8,034,069, which is a continuation of application No. 10/894,865, filed on Jul. 20, 2004, now abandoned, which is a continuation-in-part of application No. 09/903,877, filed on Jul. 10, 2001, now Pat. No. 6,764,496, which is a continuation-in-part of application No. 09/432,351, filed on Nov. 2, 1999, now Pat. No. 6,258,112.

(57) **ABSTRACT**

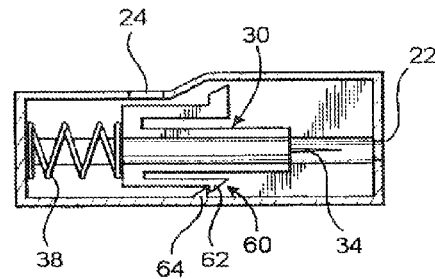
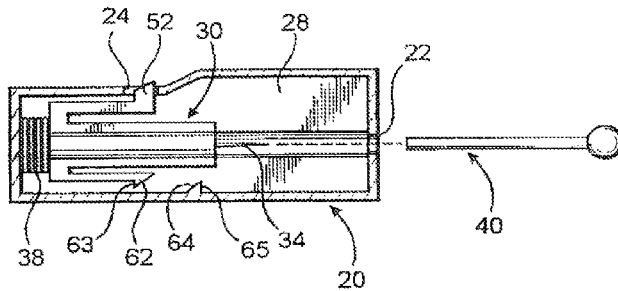
A single use lancet device having a housing, with an open interior and an access opening defined therein, a lancet, with a body and a piercing tip, and disposed in the open interior of the housing so as to move between a cocked orientation and a piercing orientation, a driving assembly structured to move the lancet into the piercing orientation, and a restrictor assembly having a shoulder element and a restrictor panel operatively associated with the lancet and the housing and structured to pass over the restrictor panel upon the lancet moving from its cocked orientation to its piercing orientation, and to abut the restrictor panel upon attempted movement of the lancet back into its cocked orientation after movement into the piercing orientation, thereby preventing the lancet from moving back into the cocked orientation and preventing re-use of a contaminated piercing tip.

(51) **Int. Cl.**
A61B 17/34 (2006.01)

(52) **U.S. Cl.**
USPC **606/182**

(58) **Field of Classification Search**
CPC A61B 5/1411; A61B 5/15142; A61B 5/15144; A61B 5/150519; A61B 5/150885; A61B 5/15; A61B 5/151

4 Claims, 1 Drawing Sheet



(56)

References Cited

U.S. PATENT DOCUMENTS

2,711,738	A	6/1955	Kelly et al.	4,983,178	A	1/1991	Schnell
2,848,809	A	8/1958	Crowder	4,990,154	A	2/1991	Brown et al.
2,861,570	A	11/1958	Beecher	4,994,045	A	2/1991	Ranford
3,358,689	A	12/1967	Higgins	4,994,068	A	2/1991	Hufnagle
3,483,810	A	12/1969	Peters et al.	5,024,660	A	6/1991	McNaughton
3,589,213	A	6/1971	Gourley	5,026,388	A	6/1991	Ingalz
3,760,809	A	9/1973	Campbell, Jr.	5,054,499	A	10/1991	Swierczek
3,807,464	A	4/1974	Pitesky	5,057,079	A	10/1991	Tiemann et al.
3,833,030	A	9/1974	Waldbauer, Jr. et al.	5,070,885	A	12/1991	Bonaldo
3,875,979	A	4/1975	Hults	5,074,872	A	12/1991	Brown et al.
3,906,626	A	9/1975	Riuli	5,086,780	A	2/1992	Schmitt
3,907,009	A	9/1975	Dobbins	5,088,996	A	2/1992	Kopfer et al.
4,018,223	A	4/1977	Ethington	5,116,351	A	5/1992	Frasseti
4,064,871	A	12/1977	Reno	5,125,921	A	6/1992	Duschek
4,098,276	A	7/1978	Bloom et al.	5,133,730	A	7/1992	Biro et al.
4,139,011	A	2/1979	Benoit et al.	5,147,326	A	9/1992	Talonn et al.
4,157,086	A	6/1979	Maiorano et al.	5,147,375	A	9/1992	Sullivan et al.
4,203,446	A	5/1980	Hofert et al.	5,160,326	A	11/1992	Talonn et al.
4,219,055	A	8/1980	Wright	5,181,609	A	1/1993	Spielmann et al.
4,252,159	A	2/1981	Maki	5,188,620	A	2/1993	Jepson et al.
4,257,561	A	3/1981	McKinney	5,196,025	A	3/1993	Ranalletta et al.
4,274,453	A	6/1981	Lee	5,201,716	A	4/1993	Richard
4,338,871	A	7/1982	van der Lely	5,207,696	A	5/1993	Matwijcow
4,357,971	A	11/1982	Friedman	5,207,699	A	5/1993	Coe
4,373,526	A	2/1983	Kling	5,212,879	A	5/1993	Biro et al.
4,388,925	A	6/1983	Burns	5,219,333	A	6/1993	Sagstetter et al.
4,414,975	A	11/1983	Ryder et al.	5,222,945	A	6/1993	Basnight
4,426,105	A	1/1984	Plaquin et al.	5,224,950	A	7/1993	Prywes
4,434,820	A	3/1984	Glass	5,230,707	A	7/1993	Laderoute
4,438,770	A	3/1984	Unger et al.	5,241,969	A	9/1993	Carson et al.
4,445,896	A	5/1984	Gianturco	5,247,972	A	9/1993	Tetreault
4,449,529	A	5/1984	Burns et al.	5,250,026	A	10/1993	Ehrlich et al.
4,469,110	A	9/1984	Slama	5,250,063	A	10/1993	Abidin et al.
4,475,915	A	10/1984	Sloane	5,269,799	A	12/1993	Daniel
4,489,766	A	12/1984	Montada	5,269,800	A	12/1993	Davis, Jr.
4,517,978	A	5/1985	Levin et al.	5,279,581	A	1/1994	Firth et al.
4,527,561	A	7/1985	Burns	5,282,822	A	2/1994	Macors et al.
4,535,769	A	8/1985	Burns	5,297,599	A	3/1994	Bucheli
4,539,988	A	9/1985	Shirley et al.	5,304,136	A	4/1994	Erskine et al.
4,553,541	A	11/1985	Burns	5,304,192	A	4/1994	Crouse
4,573,976	A	3/1986	Sampson et al.	5,304,193	A	4/1994	Zhadanov
4,610,620	A	9/1986	Gray	5,312,347	A	5/1994	Osborne et al.
4,628,929	A	12/1986	Intengan et al.	5,312,354	A	5/1994	Allen et al.
4,643,189	A	2/1987	Mintz	5,312,365	A	5/1994	Firth et al.
4,655,750	A	4/1987	Vaillancourt	5,314,441	A	5/1994	Cusack et al.
4,665,959	A	5/1987	Takagi	5,318,581	A	6/1994	Sunmo
4,715,374	A	12/1987	Maggio	5,318,583	A	6/1994	Rabenau et al.
4,735,202	A	4/1988	Williams	5,318,584	A	6/1994	Lange et al.
4,735,203	A	4/1988	Ryder et al.	5,324,303	A	6/1994	Strong et al.
4,752,290	A	6/1988	Schramm	5,330,492	A	7/1994	Haugen
4,758,230	A	7/1988	Rycroft	5,336,199	A	8/1994	Castillo et al.
4,758,231	A	7/1988	Haber et al.	5,346,480	A	9/1994	Hess et al.
4,778,454	A	10/1988	LaDow	5,350,392	A	9/1994	Purcell et al.
4,785,858	A	11/1988	Valentini et al.	5,356,406	A	10/1994	Schraga
4,794,926	A	1/1989	Munsch et al.	5,356,420	A	10/1994	Czernecki et al.
4,817,603	A	4/1989	Turner et al.	5,361,902	A	11/1994	Abidin et al.
4,823,806	A	4/1989	Bajada	5,366,470	A	11/1994	Ramel
RE32,922	E	5/1989	Levin et al.	5,395,388	A	3/1995	Schraga
4,834,667	A	5/1989	Fowler et al.	5,402,798	A	4/1995	Swierczek et al.
4,841,985	A	6/1989	Wanamaker	5,417,662	A	5/1995	Hjertman et al.
4,858,607	A	8/1989	Jordan et al.	5,423,847	A	6/1995	Strong et al.
4,863,436	A	9/1989	Glick	5,439,473	A	8/1995	Jorgensen
4,869,249	A	9/1989	Crossman et al.	5,454,828	A	10/1995	Schraga
4,882,101	A	11/1989	Ohkita et al.	5,462,535	A	10/1995	Bonnichsen et al.
4,883,101	A	11/1989	Strong	5,464,418	A	11/1995	Schraga
4,889,117	A	12/1989	Stevens	5,468,233	A	11/1995	Schraga
4,892,097	A	1/1990	Ranalletta et al.	5,469,964	A	11/1995	Bailey
4,895,147	A	1/1990	Bodicky et al.	5,476,101	A	12/1995	Schramm et al.
4,897,083	A	1/1990	Martell	5,476,474	A	12/1995	Davis et al.
4,907,600	A	3/1990	Spencer	5,487,748	A	1/1996	Marshall et al.
4,908,023	A	3/1990	Yuen	5,496,340	A	3/1996	Abidin et al.
4,924,879	A	5/1990	O'Brien	5,501,672	A	3/1996	Firth et al.
4,944,736	A	7/1990	Holtz	5,509,345	A	4/1996	Cyktich
4,969,883	A	11/1990	Gilbert et al.	5,514,152	A	5/1996	Smith
4,976,724	A	12/1990	Nieto et al.	5,518,004	A	5/1996	Schraga
				5,527,333	A	6/1996	Nikkels et al.
				5,527,334	A	6/1996	Kanner et al.
				5,529,581	A	6/1996	Cusack
				5,531,713	A	7/1996	Mastronardi et al.

(56)

References Cited

U.S. PATENT DOCUMENTS

5,540,709 A 7/1996 Ramel
 5,545,174 A 8/1996 Schenk et al.
 5,554,166 A 9/1996 Lange et al.
 5,569,286 A 10/1996 Peckham et al.
 5,569,287 A 10/1996 Tezuka et al.
 5,571,132 A 11/1996 Mawhirt et al.
 D376,203 S 12/1996 Schraga
 5,584,846 A 12/1996 Mawhirt et al.
 5,599,323 A 2/1997 Bonnichsen et al.
 5,613,978 A 3/1997 Harding
 5,628,764 A 5/1997 Schraga
 5,628,765 A 5/1997 Morita
 5,643,306 A 7/1997 Schraga
 5,662,672 A 9/1997 Pambianchi et al.
 5,697,916 A 12/1997 Schraga
 5,706,942 A 1/1998 Vila et al.
 5,707,384 A 1/1998 Kim
 5,709,700 A 1/1998 Hirota
 5,730,753 A 3/1998 Morita
 5,733,300 A 3/1998 Pambianchi et al.
 5,735,823 A 4/1998 Berger
 5,738,665 A 4/1998 Caizza et al.
 5,741,288 A 4/1998 Rife
 RE35,803 E 5/1998 Lange et al.
 5,746,761 A 5/1998 Turchin
 5,772,636 A 6/1998 Brimhall et al.
 5,772,677 A 6/1998 Mawhirt et al.
 5,792,122 A 8/1998 Brimhall et al.
 5,797,940 A 8/1998 Mawhirt et al.
 5,797,942 A 8/1998 Schraga
 5,836,920 A 11/1998 Robertson
 5,868,771 A 2/1999 Herbert et al.
 5,871,494 A 2/1999 Simons et al.
 5,873,856 A 2/1999 Hjertman et al.
 5,873,887 A 2/1999 King et al.
 5,879,367 A 3/1999 Latterell et al.
 5,891,103 A 4/1999 Burns
 5,908,434 A 6/1999 Schraga
 5,916,230 A 6/1999 Brenneman et al.
 5,947,934 A 9/1999 Hansen et al.
 5,951,530 A 9/1999 Steengaard et al.
 5,951,582 A 9/1999 Thorne et al.
 5,954,738 A 9/1999 LeVaughn et al.
 5,968,021 A 10/1999 Ejlersen
 5,971,966 A 10/1999 Lav
 5,980,491 A 11/1999 Hansen
 5,984,906 A 11/1999 Bonnichsen et al.
 5,984,940 A 11/1999 Davis et al.
 6,010,519 A 1/2000 Mawhirt et al.
 6,015,397 A 1/2000 Elson et al.
 6,022,366 A 2/2000 Schraga
 6,042,595 A 3/2000 Morita
 6,045,567 A 4/2000 Taylor et al.
 6,050,977 A 4/2000 Adams
 6,056,765 A 5/2000 Bajaj et al.
 6,071,294 A 6/2000 Simons et al.
 6,074,372 A 6/2000 Hansen
 6,077,253 A 6/2000 Cosme
 D428,150 S 7/2000 Ruf et al.
 6,106,537 A 8/2000 Crossman et al.
 6,110,149 A 8/2000 Klitgaard et al.
 6,136,013 A 10/2000 Marshall et al.
 6,149,608 A 11/2000 Marshall et al.
 6,156,050 A 12/2000 Davis et al.
 6,156,051 A 12/2000 Schraga
 6,168,606 B1 1/2001 Levin et al.
 6,183,489 B1 2/2001 Douglas et al.
 6,190,398 B1 2/2001 Schraga
 6,192,891 B1 2/2001 Gravel et al.
 6,197,040 B1 3/2001 LeVaughn et al.
 6,210,420 B1 4/2001 Mauze et al.
 6,213,977 B1 4/2001 Hjertman et al.
 6,216,868 B1 4/2001 Rastegar et al.
 6,221,089 B1 4/2001 Mawhirt
 6,228,100 B1 5/2001 Schraga

6,248,120 B1 6/2001 Wyszogrodzki
 6,258,112 B1 * 7/2001 Schraga 606/181
 6,283,982 B1 9/2001 Levaughn et al.
 6,299,626 B1 10/2001 Viranyi
 6,302,869 B1 10/2001 Klitgaard
 6,306,152 B1 10/2001 Verdonk et al.
 6,316,114 B1 11/2001 Comer et al.
 6,322,574 B1 11/2001 Lloyd et al.
 6,322,575 B1 11/2001 Schraga
 6,332,871 B1 12/2001 Douglas et al.
 6,346,114 B1 2/2002 Schraga
 6,358,265 B1 3/2002 Thorne, Jr. et al.
 6,364,889 B1 4/2002 Kheiri et al.
 6,379,317 B1 4/2002 Kintzig et al.
 6,395,495 B1 5/2002 Montagnier et al.
 6,409,740 B1 6/2002 Kuhr et al.
 6,419,661 B1 7/2002 Kuhr et al.
 6,432,120 B1 8/2002 Teo
 6,451,040 B1 9/2002 Purcell
 6,464,649 B1 10/2002 Duchon et al.
 6,506,168 B1 1/2003 Fathallah et al.
 6,514,270 B1 2/2003 Schraga
 6,530,937 B1 3/2003 Schraga
 6,540,762 B1 4/2003 Bertling
 6,558,402 B1 5/2003 Chelak et al.
 6,719,771 B1 4/2004 Crossman
 6,764,496 B2 * 7/2004 Schraga 606/182
 6,852,119 B1 2/2005 Abulhaj et al.
 6,887,253 B2 5/2005 Schraga
 6,918,918 B1 7/2005 Schraga
 6,949,111 B2 9/2005 Schraga
 6,958,072 B2 10/2005 Schraga
 7,105,006 B2 9/2006 Schraga
 7,575,583 B1 8/2009 Schraga
 7,621,932 B2 11/2009 Wenzler
 7,678,126 B2 3/2010 Schraga
 8,034,069 B2 * 10/2011 Schraga 606/182
 8,048,097 B2 11/2011 Schraga
 8,118,825 B2 2/2012 Schraga
 8,353,924 B2 * 1/2013 Schraga 606/182
 2002/0004649 A1 1/2002 Jansen et al.
 2003/0028126 A1 2/2003 List
 2003/0187470 A1 10/2003 Chelak et al.
 2004/0102802 A1 5/2004 Marshall
 2004/0147948 A1 7/2004 Schraga
 2005/0070945 A1 3/2005 Schraga
 2005/0245955 A1 11/2005 Schraga
 2005/0288699 A1 12/2005 Schraga
 2006/0058828 A1 3/2006 Shi
 2006/0079920 A1 4/2006 Schraga
 2006/0178686 A1 8/2006 Schraga
 2006/0184189 A1 8/2006 Olson et al.
 2010/0198243 A1 8/2010 Schraga
 2010/0305598 A1 12/2010 Schraga

FOREIGN PATENT DOCUMENTS

CN 1411358 A 4/2003
 CN 032205171 6/2004
 CN 032214375 6/2004
 CN 1541080 A 10/2004
 CN 008173257 6/2005
 CN 1846612 A 10/2006
 CN 028157710 12/2006
 DE 20313528 U1 1/2004
 DE 69925455 T2 5/2006
 EP 0081665 6/1983
 EP 0115388 8/1984
 EP 0595148 5/1994
 EP 0633004 1/1995
 EP 0668049 8/1995
 EP 0796592 9/1997
 EP 0293092 11/1998
 EP 0894471 2/1999
 EP 0940121 9/1999
 EP 0958783 11/1999
 EP 1233706 8/2002
 EP 1688987 8/2006
 FR 1126718 11/1956

(56)

References Cited

FOREIGN PATENT DOCUMENTS

GB	2052992	2/1981
HK	1055234	1/2004
JP	2000513624	10/2000
JP	2003512883	4/2003
JP	2005511191	4/2005
JP	2006218301	8/2006
JP	5154725	12/2012
MX	197391	7/2000
WO	WO9100215	1/1991

WO	WO9516400	6/1995
WO	WO9855034	12/1998
WO	WO0078203	12/2000
WO	WO0078214	12/2000
WO	WO0132086	5/2001
WO	WO03049624	6/2003
WO	WO03092512	11/2003
WO	WO2005018422	3/2005
WO	WO2006013482	2/2006
WO	WO2006083676	8/2006
WO	WO2006096707	9/2006
WO	WO2006138634	12/2006

* cited by examiner

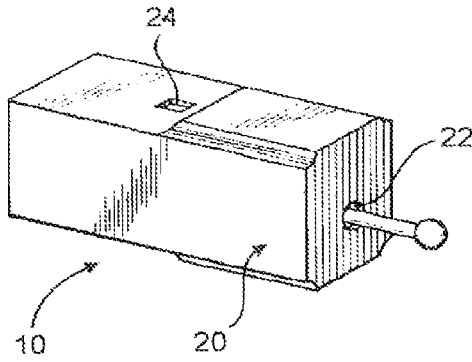


FIG. 1

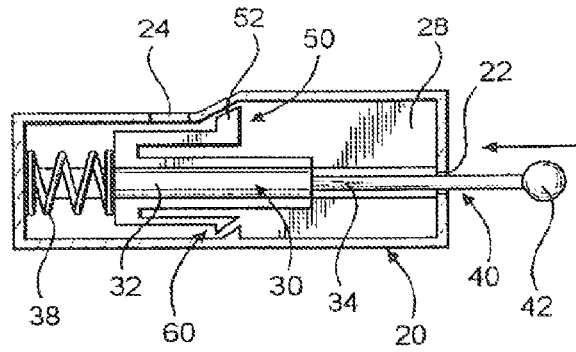


FIG. 2

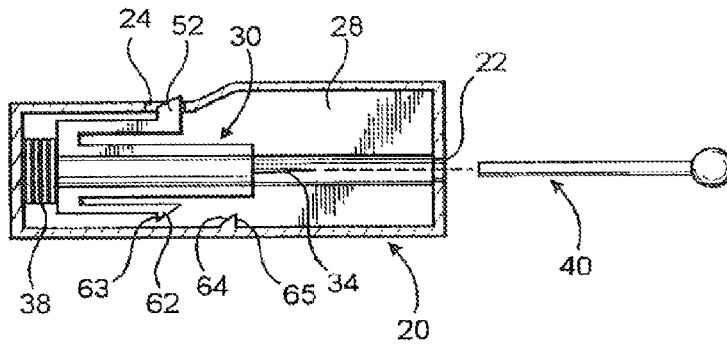


FIG. 3

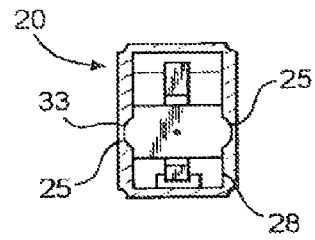


FIG. 5

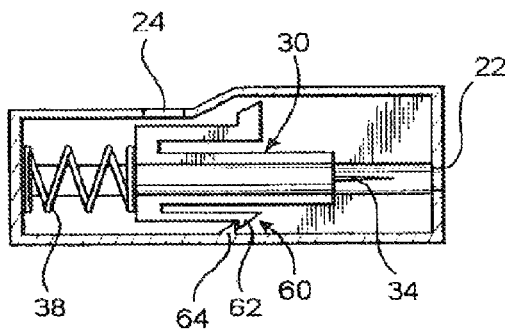


FIG. 4

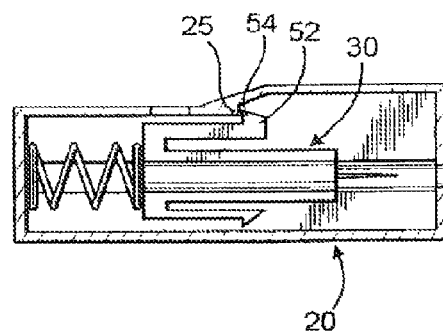


FIG. 6

1

SINGLE USE LANCET ASSEMBLY

CLAIMS OF PRIORITY

The present patent application is a Continuation of patent application having Ser. No. 13/270,525 filed on Oct. 11, 2011, which is a Continuation of patent application having Ser. No. 12/786,112 filed on May 24, 2010 which matured into U.S. Pat. No. 8,034,069 on Oct. 11, 2011, which is a Continuation of patent application having Ser. No. 10/894,865 filed on Jul. 20, 2004 now abandoned, which is a Continuation-In-Part application of U.S. patent application having Ser. No. 09/903,877 which was filed on Jul. 10, 2001 which matured into U.S. Pat. No. 6,764,496 on Jul. 20, 2004, which is a continuation-in-part patent application having Ser. No. 09/432,351 which was filed on Nov. 2, 1999 and which issued as U.S. Pat. No. 6,258,112 on Jul. 10, 2001, now abandoned, are hereby incorporated by reference.

BACKGROUND OF THE INVENTION

1. Field of the Invention

The present invention relates to a single use lancet assembly which is substantially compact, yet effective for piercing a patient's finger or other body part to obtain a blood sample. The single use lancet device is further configured to be substantially safe to transport and to ensure that subsequent uses of a contaminated lancet tip cannot occur.

2. Description of the Related Art

Lancets are commonly utilized instruments which are employed both in hospitals and other medical facilities, as well as by private individuals, such as diabetics, in order to prick or pierce a patient's skin, typically on a finger of a patient, thereby leading to the generation of a blood sample which can be collected for testing. Because of the wide spread use of such lancets, there are a variety of lancet devices which are available for utilization by patients and/or practitioners in a variety of different circumstances.

For example, a typical lancet may merely include a housing with a sharp piercing tip that is pushed into the patient's skin. More commonly, however, lancet devices, which house a piercing tip and/or a lancet, have been developed which effectively encase and fire the lancet into the patient's skin, thereby eliminating the need for the person taking the sample to actually push the lancet tip into the skin.

Within the various types of specialized lancet devices, one variety is typically configured for multiple and/or repeated uses, while another category is particularly configured for single use, after which the entire device is disposed of. Looking in particular to the single use, disposable lancet devices, such devices typically include a housing which contains and directs or drives a piercing tip into the patient's skin, and which is disposed of along with the used lancet. Naturally, so to make such disposable devices cost effective for frequent use, such devices tend to be rather simplistic in nature providing only a sufficient mechanism for firing, and not overly complicating the design so as to minimize that cost.

While existing single use devices are generally effective for achieving the piercing of the skin required for effective operation, such single use, disposable devices typically do not incorporate a large number of safety features to ensure the safe use and disposal of the device. For example, one primary area of safety which must be addressed with all lancet devices pertains to the purposeful and/or inadvertent reuse of a contaminated lancet. Unfortunately, most currently available single use lancet devices are configured such that after a use

2

thereof has been achieved, it is possible for a patient to re-cock the device, thereby allowing for a subsequent, inappropriate use.

As a result, it would be highly beneficial to provide a single use lancet device which is substantially compact and disposable, can be manufactured in a substantially cost effective manner, and which nevertheless is substantially safe to utilize, affirmatively preventing re-use, once contaminated.

SUMMARY OF THE INVENTION

The present invention relates to a single use lancet device configured to pierce a patient's skin and be useable only a single time, thereby preventing reuse of a contaminated lancet piercing tip. In particular, the present single use lancet device includes a housing having an open interior area and an access opening defined therein. The housing is preferably compact and includes a lancet disposed within its open interior.

Looking to the lancet, it is preferably of the type which includes a body and a piercing tip. It is the piercing tip which includes the pointed configuration structured to penetrate or pierce a patient's skin for the drawing of blood. Moreover, the lancet is cooperatively disposed within the open interior of the housing such that the lancet may move between at least a cocked orientation and a piercing orientation wherein the patient's skin is penetrated by the piercing tip.

Also operatively associated with the lancet is a driving assembly. The driving assembly is structured to move or drive the lancet, at least temporarily, into the piercing orientation from the cocked orientation. Preferably, however, the device is configured such that the cocked orientation is generally maintained until affirmatively released by a user. Along these lines, the present single use lancet device also includes an actuation button operatively associated with the lancet. The actuation button is structured to protrude from the housing, at least when the lancet is disposed in the cocked orientation, so as to be effectively actuatable. When the lancet is in the cocked orientation, the actuation assembly maintains the lancet in that cocked orientation, however, when it is actuated, such as by being pushed inward, the lancet is released from the cocked orientation and the driving assembly propels the lancet at least temporarily into its piercing orientation wherein the piercing tip protrudes through the access opening of the housing.

In order to ensure that lancet device can only be used a single time, the present single use lancet device further includes an abutment structure cooperatively disposed between the housing and the lancet. The abutment structure is configured to prevent the lancet from moving into the cocked orientation after movement into the piercing orientation. Preferably, the abutment structure includes a shoulder element and a restrictor panel operatively associated with the lancet and the housing. In particular, the shoulder element is structured to pass over the restrictor panel when the lancet moves from its cocked orientation to its piercing orientation. Conversely, however, when a user attempts to move the lancet back into the cocked orientation after it moved into the piercing orientation, the restrictor panel abuts the shoulder element preventing further movement. As a result, movement of the lancet into the cocked orientation is prevented once the lancet has been used a single time, and subsequent uses of a contaminated lancet are prevented.

These and other objects, features and advantages of the present invention will become clearer when the drawings as well as the detailed description are taken into consideration.

BRIEF DESCRIPTION OF THE DRAWINGS

For a fuller understanding of the nature of the present invention, reference should be had to the following detailed description taken in connection with the accompanying drawings in which:

FIG. 1 is a perspective illustration of an embodiment of the single use lancet device of the present invention;

FIG. 2 is a side cross section view of the single use lancet device of the present invention in an unused, initially uncocked orientation;

FIG. 3 is a side cross section view of the single use lancet device of the present invention in a cocked orientation;

FIG. 4 is a side cross section view of the single use lancet device of the present invention after it has moved into a piercing orientation from the cocked orientation;

FIG. 5 is a front cross section view of the single use lancet device of the present invention; and

FIG. 6 is a side cross section view of another embodiment of the single use lancet device of the present invention after the lancet has moved from the cocked orientation through the piercing orientation.

Like reference numerals refer to like parts throughout the several views of the drawings.

DETAILED DESCRIPTION OF THE PREFERRED EMBODIMENT

Shown throughout the Figures, the present invention is directed towards a single use lancet device, generally indicated as 10. In particular, the single use lancet device 10 of the present invention includes a housing, generally indicated as 20. The housing 20 is preferably substantially small and compact, and may be made of one or a plurality of segments, preferably of a generally rigid, disposable material, such as plastic. The housing 20 includes an at least partially open interior 28 and at least one access opening 22 defined therein. The open interior 28 of the housing 20 is preferably sized and configured to effectively receive a lancet, generally 30 therein.

In particular, the lancet device 10 of the present invention also comprises a lancet 30. The lancet 30 preferably includes a body 32 and a piercing tip 34. The piercing tip 34 is what will be used to pierce a person's skin so as to draw blood to be utilized for a sample and or test procedure. Moreover, the body 32 may be the shaft of the piercing tip 34 and/or an additional structure such as that depicted in the Figures. Regardless, however, the lancet 30 is structured to move within the open interior 28 of a housing 20, preferably at least between a cocked orientation, as depicted in FIG. 3, and a piercing orientation wherein the piercing tip 34 of lancet 30 at least temporarily protrudes through the access opening 22.

Looking in further detail to the illustrated lancet device 10, and the path of movement of the lancet 30 within the housing 20, when the lancet device 10 is initially obtained for use, the lancet 30 is preferably maintained in an un-used, initially uncocked and pre-fired orientation, as best seen in FIG. 2. In this initially uncocked and pre-fired orientation a protective cover 40 preferably extends into the open interior 28 of the housing 20 so as to at least partially and removably cover the piercing tip 34 of the lancet 30, thereby maintaining the safety and sterility of the piercing tip 34 when not being used. In this regard, the protective cover 40 may be formed from a variety of preferably rigid materials and is structured to protrude from the housing 20. Furthermore, the protective cover 40 may include an enlarged head 42 configured to facilitate grasping thereof.

Preferably utilizing the protective cover 40, the protective cover 40 is structured to be pushed inwardly into the housing by a user, as depicted by the arrows on FIG. 2, thereby pushing the lancet 30 further into the housing 20. Such pushing of the lancet 30 into the housing 20 results in a positioning of the lancet 30 in its cocked orientation, best illustrated in FIG. 3. Once in the cocked orientation, the protective cover 40 is then structured to be removable from the piercing tip 34, such as by a twisting thereof, thereby leaving the piercing tip 34 completely exposed for use.

The single use lancet of the present invention further includes a driving assembly, generally indicated as 38. The driving assembly 38 is particularly configured to move the lancet 30 at least temporarily into its piercing orientation wherein the piercing tip 34 protrudes through the access opening 22 of the housing 20 a desired amount. In particular, if desired, a depth adjustment structure could be positioned at the access opening 22 to control the amount which the piercing tip protrudes from the housing 20. For example, a threaded washer type element could be adjustably secured to the housing 20 in generally surrounding relation to the access opening 22.

Looking further to the driving assembly 38, preferably the driving movement occurs when the lancet 30 is released from its cocked orientation. In the illustrated embodiment, the driving assembly 38 includes a biasing element operatively disposed between the lancet 30 and the housing 20. Moreover, in the illustrated embodiment a spring is preferably utilized, however, it is recognized that a variety of other driving assemblies can be utilized, including a wedge assembly, a hammer type assembly and/or a resilient material plate, segment or extension, all of which may be configured to move the lancet 30 from the cocked orientation into the piercing orientation. Further, it is preferred, based upon the sizing of the housing 20 and the nature and size of the driving assembly 38, that after the lancet 30 has moved into the piercing orientation, wherein the piercing tip 34 protrudes through the access opening 22, the lancet tends to be retracted back into the open interior 28 of the housing 20, as best illustrated in FIG. 4. As a result, the used piercing tip 34 is effectively concealed within the housing 20 subsequent to usage, protecting against inadvertent engagement between a person and the used piercing tip 34.

In order to retain, and subsequently effectively release the lancet 30 from its cocked orientation, the single use lancet of the present invention further includes an actuation assembly, generally indicated as 50. Although a variety of different actuation assemblies may be incorporated so as to retain and then release the lancet 30 from its cocked orientation, which in the illustrated embodiment allows the driving assembly to be released from its compressed orientation, the actuation assembly includes an actuation button 52. In the illustrated embodiment, the actuation button 52 is structured to at least temporarily protrude from the housing 20, such as through an actuation aperture 24. Furthermore, the actuation button 52 is preferably secured, either directly or indirectly to the lancet 30, so as to generally restrict movement of the lancet 30 from the cocked orientation when the actuation button 52 protrudes from the housing 20. As a result, the cocked orientation is maintained while the actuation button protrudes from the housing 20. Specifically, in the illustrated embodiment, the actuation button 52 extends from the body 32 of the lancet 30 by a biased segment, and as such, by abutting the housing 20 within the actuation opening 24, movement of the lancet 30 from the cocked orientation is prevented. When, however, the actuation button 52 is actuated, such as by being pushed inwardly into the interior 28 of the housing 20, it is at least

5

temporarily concealed within the housing 20, removing its abutting engagement with the housing and allowing the lancet 30 to freely move within the housing 20, at least temporarily into the piercing orientation. Although the preceding defines the illustrated actuation assembly, it is understood that a variety of alternative actuation assemblies, such as including separate elements to retain and to release the lancet may also be provided, and or including structures which are actually part of the driving assembly and/or remain at least partially exposed and actuatable at all times, may also be provided.

Looking in particular to FIG. 5, movement of the lancet 30 through the housing 20 is preferably maintained in a substantially linear path by a guide assembly. In the illustrated embodiment, the guide assembly includes at least one guide ridge 33 protruding from the body 32 of the lancet 30, and at least one corresponding guide track 25 structured to movably receive the guide ridge 33 therein. The guide track 25 preferably extends at least partially along a length of the open interior 28 of the housing 20 so as to maintain the guide ridge 33 effectively therein during a necessary range of motion of the lancet 30. As depicted in FIG. 5, preferably a pair of guide ridges 33 are disposed on opposite sides of the lancet body 32, with a corresponding pair of oppositely disposed guide tracks 25 being defined in the housing. It is of course, however, understood that the guide tracks 25 need not necessarily be directly defined in the housing 20, but may be additional elements secured therein, and conversely the guide track(s) may be defined in or on the lancet body 32, with the guide ridge(s) extending inwardly from the housing 20.

The single use lancet 10 of the present invention further includes a restrictor assembly, generally indicated as 60. The restrictor assembly 60 is structured to substantially prevent the lancet 30 from moving back into the cocked orientation of FIG. 3 after it has moved, even momentarily, into the piercing orientation wherein a patient's skin may be pierced and the piercing tip 34 becomes contaminated. In this regard, the cocked orientation may be defined by the lancet 30 being positioned such that actuation of the actuation assembly 50 causes the driving assembly 38 to urge the lancet 30 into the piercing orientation. In the illustrated embodiment, the restrictor assembly 60 is structured such that when the lancet 30 is disposed in the initially un-cocked orientation, as best seen in FIG. 2, movement of the lancet 30 back into the cocked orientation can effectively result despite the restrictor assembly 60. After, however, the lancet 30 has moved into its piercing orientation wherein the piercing tip 34 has protruded through the access opening 22 of the housing 20, the restrictor assembly 60 is configured such that the lancet 30 can no longer be pushed back into the cocked orientation. As a result, a patient can neither accidentally nor purposefully reuse the single use lancet 10 of the present invention after it has been fired.

In the illustrated embodiment, the restrictor assembly 60 includes an abutment structure cooperatively disposed between the housing 20 and the lancet 30. The abutment structure is configured to physically prevent movement of the lancet back into the cocked orientation. Preferably, the abutment structure comprises a shoulder element 62 and a restrictor panel 64 configured to freely pass one another when the lancet 30 moves from the cocked orientation to the piercing orientation, but also configured to abut one another upon attempted movement of the lancet 30 back into the cocked orientation after it has moved into the piercing orientation. Looking to FIG. 4, the illustrated shoulder element 62 includes an at least partially sloped and preferably biased configuration, such as an elongate biased finger that at least partially retracts inward towards the body 32 of the lancet 30

6

so as to facilitate passage thereof past the restrictor panel 64. In this regard, preferably mating sloped surfaces are provided on the shoulder element 62 and the restrictor panel 64, thereby facilitating the sliding passages past one another, and indeed, promoting an at least partial retraction of the shoulder element to further facilitate this passage past one another, upon movement of the lancet 30 in a first direction towards the access opening 22 of the housing 20. The shoulder element 62 is also, however, structured to generally expand after it has passed the restrictor panel 64, such as back into its normal unretracted and/or un-compressed orientation, such that it will abut the restrictor panel 64 upon attempted movement of the lancet 30 in a second direction opposite the access opening 22 of the housing 20.

Although an opposite configuration could be just as effectively utilized, in the illustrated embodiment, the biased finger of the shoulder element 62 extends from the lancet 30, preferably generally toward the piercing tip 34 of the lancet 30, while the restrictor panel 64 protrudes from the housing 20, extending into the open interior 28 of the housing 20. Along these lines, the restrictor panel 64 includes a protruding element preferably with the aforementioned sloped configuration which downwardly slopes away from the piercing tip 34 of the lancet 30 facilitating the aforementioned sliding passage past the shoulder element 62.

So as to provide generally secure movement restriction through effective abutment, both the shoulder element 62 and the restrictor panel 64 each preferably include abutment surfaces 63 and 65, respectively. The abutment surfaces 63 and 65 are structured to generally engage and abut one another, as best illustrated in FIG. 4, thereby preventing movement of the lancet 30 back into the cocked orientation. In the illustrated embodiment, the abutment surfaces 63, 65 are generally flat, although it is recognized that interlocking fingers or wedges, and/or other types of engaging structures that prevent relative movement in at least one direction could also be effectively utilized.

Addressing further the restrictor assembly of the present invention, it is understood that a variety of different restrictor assemblies may be effectively utilized which prevent movement of a lancet 30 back into a cocked orientation after the lancet 30 has moved sufficiently forward and/or has moved into the piercing orientation. As such, the embodiment illustrated in FIGS. 2 through 5 is merely a single illustration of a preferred contemplated embodiment, and other alternative embodiments are also considered within the scope of the restrictor assembly of the present invention. By way of example, and looking specifically to FIG. 6, the actuation button 52 may comprise part of the restrictor assembly. In such an embodiment, a restrictor panel 25 is defined in the housing 20, and the actuation button 52 as part of the biased finger of the shoulder element, includes an abutment surface 54 which engages a confronting surface of the restrictor panel 25. In such an embodiment, the initially un-cocked orientation provides for the actuation button 52 to be initially disposed rearward of the restrictor panel 25 so as to permit movement of the lancet 30 at least initially into the cocked orientation. Moreover, in this embodiment, the previous embodiment, and/or any other alternative embodiment, if desired, the protective cover 40 may be equipped with an interior shield segment or other configuration which extends into the housing and maintains the biased finger of the shoulder element 62, or another component of the restrictor assembly, in a generally compressed and/or retracted orientation until the protective cover 40 is removed. As a result, in such an embodiment, so long as the protective cover 40 is maintained on the piercing tip 34, the lancet 30 is always able to return the

cocked orientation. Preferably, however, re-positioning of the protective cover onto the piercing tip in such a manner as to be able to “reset” the lancet 30, allowing its movement once again into the cocked orientation, will be prevented.

Since many modifications, variations and changes in detail can be made to the described preferred embodiment of the invention, it is intended that all matters in the foregoing description and shown in the accompanying drawings be interpreted as illustrative and not in a limiting sense. Thus, the scope of the invention should be determined by the appended claims and their legal equivalents.

Now that the invention has been described.

What is claimed is:

- 1. A single use lancet device comprising:
 - a housing;
 - a lancet having a piercing tip;
 - said lancet moveable relative to said housing at least between a cocked orientation and a piercing orientation;
 - a biasing element structured to bias said lancet at least temporarily into said piercing orientation;
 - a restrictor, at least part of said restrictor being independent of said biasing element and said lancet, and when engaged, said restrictor being structured to prevent said lancet from moving back into said cocked orientation, after movement of said lancet into said piercing orientation, as a result of an implement contacting and pushing said lancet;
 - said restrictor comprising an abutment structure including a biased finger having a shoulder element and a restrictor panel including a protruding element;

said protruding element including a sloped configuration structured to facilitate passage thereof past said biased finger upon said lancet moving to said piercing orientation;

said restrictor panel and said shoulder element structured to pass one another upon said lancet moving from said cocked orientation to said piercing orientation and to abut one another upon attempted movement of said lancet into said cocked orientation after movement into said piercing orientation; and

at least one of said shoulder element and said restrictor panel structured to retract out of a normal unretracted orientation during passage past one another and to expand back to said normal unretracted orientation after passage past one another, so as to facilitate passage of said restrictor panel and said shoulder element past one another in a first direction corresponding to movement of said lancet from said cocked orientation to said piercing orientation and to block movement of said restrictor panel in a second direction, generally opposite to the first direction, subsequent to said passage past one another in the first direction.

2. A single use lancet as recited in claim 1 wherein said biasing element comprises a spring.

3. A single use lancet as recited in claim 1 further comprising an actuator, said actuator including a button structured to protrude from said housing when said lancet is disposed in said cocked orientation.

4. A single use lancet as recited in claim 1 further comprising a protective cover structured to at least partially and removably cover said piercing tip of said lancet at least prior to movement of said lancet into said cocked orientation.

* * * * *