



US009669131B2

(12) **United States Patent**
Nowakowski

(10) **Patent No.:** **US 9,669,131 B2**

(45) **Date of Patent:** **Jun. 6, 2017**

(54) **METHODS OF CLOSING WOUNDS**

(2013.01); *A61B 2017/00641* (2013.01); *A61M 25/0662* (2013.01); *A61M 2025/0681* (2013.01)

(71) Applicant: **Closys Corporation**, St. Louis Park, MN (US)

(58) **Field of Classification Search**

CPC *A61B 17/00491*; *A61B 17/0057*; *A61B 2017/00637*; *A61B 2017/00641*; *A61B 2017/0065*

(72) Inventor: **Karol L. Nowakowski**, Circle Pines, MN (US)

See application file for complete search history.

(73) Assignee: **St. Croix Surgical Systems, LLC**, Circle Pines, MN (US)

(56) **References Cited**

(*) Notice: Subject to any disclaimer, the term of this patent is extended or adjusted under 35 U.S.C. 154(b) by 451 days.

U.S. PATENT DOCUMENTS

3,223,083 A 12/1965 Cobey
4,048,064 A 9/1977 Clark

(Continued)

(21) Appl. No.: **14/146,139**

(22) Filed: **Jan. 2, 2014**

FOREIGN PATENT DOCUMENTS

(65) **Prior Publication Data**

US 2014/0193512 A1 Jul. 10, 2014

EP 0466178 6/1997
JP H4-355377 7/1994
WO 99/01195 1/1999

Related U.S. Application Data

OTHER PUBLICATIONS

(63) Continuation of application No. 13/852,094, filed on Mar. 28, 2013, now Pat. No. 8,652,169, which is a continuation of application No. 13/724,520, filed on Dec. 21, 2012, now Pat. No. 8,568,448, which is a continuation of application No. 11/337,278, filed on Jan. 23, 2006, now Pat. No. 8,652,168, which is a continuation of application No. 10/291,278, filed on Nov. 8, 2002, now Pat. No. 6,989,022, which is a continuation of application No. 09/732,423, filed on (Continued)

Orlikowski, Effect of Delay and Storage on Whole-Blood Clotting Analysis as Determined by Thrombelastography, *Journal of Clinical Monitoring*, 1993, vol. 9, pp. 5-8.

Primary Examiner — Dianne Dornbusch

(74) *Attorney, Agent, or Firm* — Gardella Grace P.A.

(51) **Int. Cl.**

A61B 17/00 (2006.01)
A61L 24/00 (2006.01)
A61M 25/06 (2006.01)

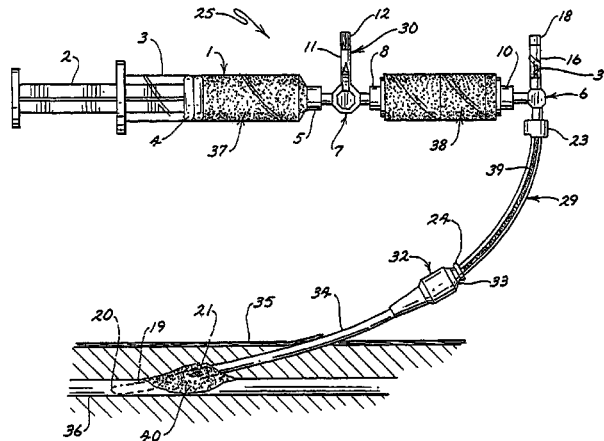
(57) **ABSTRACT**

Wound closure methods and apparatuses are provided which utilize blood fluid by activating the clotting cascade of the blood fluid outside the body within a substantially enclosed sterile container then introducing coagulated blood to the wound site to complete clotting. Methods and apparatuses for providing ways of inhibiting anticoagulants and slowing fibrin clot degradation are also disclosed. Kits for practicing the invention singularly or in combination with and/or associated with preferred procedures are also disclosed.

(52) **U.S. Cl.**

CPC *A61L 24/0005* (2013.01); *A61B 17/0057* (2013.01); *A61B 17/00491* (2013.01); *A61B 2017/0065* (2013.01); *A61B 2017/00637*

7 Claims, 4 Drawing Sheets



Related U.S. Application Data

Dec. 7, 2000, now Pat. No. 6,478,808, which is a continuation of application No. 09/212,080, filed on Dec. 15, 1998, now Pat. No. 6,159,232.

(60) Provisional application No. 60/069,834, filed on Dec. 16, 1997.

(56) **References Cited**

U.S. PATENT DOCUMENTS

4,265,233	A	5/1981	Sugitachi et al.	5,624,669	A	4/1997	Leung et al.
4,277,463	A	7/1981	Tomic	5,648,070	A	7/1997	Brian et al.
4,347,243	A	8/1982	Schneider	5,648,265	A	7/1997	Epstein
4,359,049	A	11/1982	Redl et al.	5,674,394	A	10/1997	Whitmore
4,361,552	A	11/1982	Baur, Jr.	5,676,689	A	10/1997	Kensey et al.
4,373,023	A	2/1983	Langer et al.	5,700,559	A	12/1997	Sheu et al.
4,381,776	A	5/1983	Latham, Jr.	5,716,375	A	2/1998	Fowler
4,565,740	A	1/1986	Golander et al.	5,739,288	A	4/1998	Edwardson et al.
4,852,568	A	8/1989	Kensey	5,741,223	A	4/1998	Janzen et al.
4,935,204	A	6/1990	Seidel et al.	5,741,283	A	4/1998	Fahy
5,000,854	A	3/1991	Yang	5,750,657	A	5/1998	Edwardson et al.
5,030,215	A	7/1991	Morse et al.	5,763,410	A	6/1998	Edwardson et al.
5,151,192	A	9/1992	Matkovich et al.	5,763,411	A	6/1998	Edwardson et al.
5,165,938	A	11/1992	Knighton	5,770,194	A	6/1998	Edwardson et al.
5,192,300	A	3/1993	Fowler	5,782,860	A	7/1998	Epstein et al.
5,209,776	A	5/1993	Bass et al.	5,788,662	A	8/1998	Antanavich et al.
5,226,877	A	7/1993	Epstein	5,795,571	A	8/1998	Cederholm-Williams et al.
5,275,616	A	1/1994	Fowler	5,810,810	A	9/1998	Tay et al.
5,292,332	A	3/1994	Lee	5,814,066	A	9/1998	Spotnitz
5,310,407	A	5/1994	Casale	5,830,130	A	11/1998	Janzen et al.
5,318,524	A	6/1994	Morse et al.	5,843,124	A	12/1998	Hammerslag
5,383,896	A	1/1995	Gershony et al.	5,885,647	A	3/1999	Larm et al.
5,405,607	A	4/1995	Epstein	5,916,236	A	6/1999	Muijs Van de Moer et al.
5,413,571	A	5/1995	Katsaros et al.	5,948,425	A	9/1999	Janzen
5,437,292	A	8/1995	Kipshidze et al.	5,957,952	A	9/1999	Gershony et al.
5,443,481	A	8/1995	Lee	5,962,026	A	10/1999	Edwardson et al.
5,447,502	A	9/1995	Haaga	5,964,782	A	10/1999	Lafontaine et al.
5,496,332	A	3/1996	Sierra et al.	5,968,090	A	10/1999	Ratcliff et al.
5,510,102	A	4/1996	Cochrum	5,980,972	A	11/1999	Ding
5,529,577	A	6/1996	Hammerslag	6,007,563	A	12/1999	Nash et al.
5,532,311	A	7/1996	Sirvio et al.	6,033,427	A	3/2000	Lee
5,571,181	A	11/1996	Li	6,077,507	A	6/2000	Edwardson et al.
5,585,007	A	12/1996	Antanavich et al.	6,096,798	A	8/2000	Luthra et al.
5,591,205	A	1/1997	Fowler	6,146,771	A	11/2000	Wirt et al.
5,601,602	A	2/1997	Fowler	6,159,232	A	12/2000	Nowakowski
				6,197,289	B1	3/2001	Wirt et al.
				6,200,532	B1	3/2001	Wu et al.
				6,482,223	B1	11/2002	Nowakowski et al.
				6,605,294	B2	8/2003	Sawhney
				6,733,471	B1	5/2004	Ericson et al.
				6,887,974	B2	5/2005	Pathak
				6,896,926	B2	5/2005	Qiu et al.
				6,926,965	B2	8/2005	Qiu et al.
				6,989,022	B2	1/2006	Nowakowski
				7,297,725	B2	11/2007	Winterton et al.
				7,771,454	B2	8/2010	Michlitsch
				2007/0231366	A1	10/2007	Sawhney et al.
				2013/0006300	A1	1/2013	Michlitsch

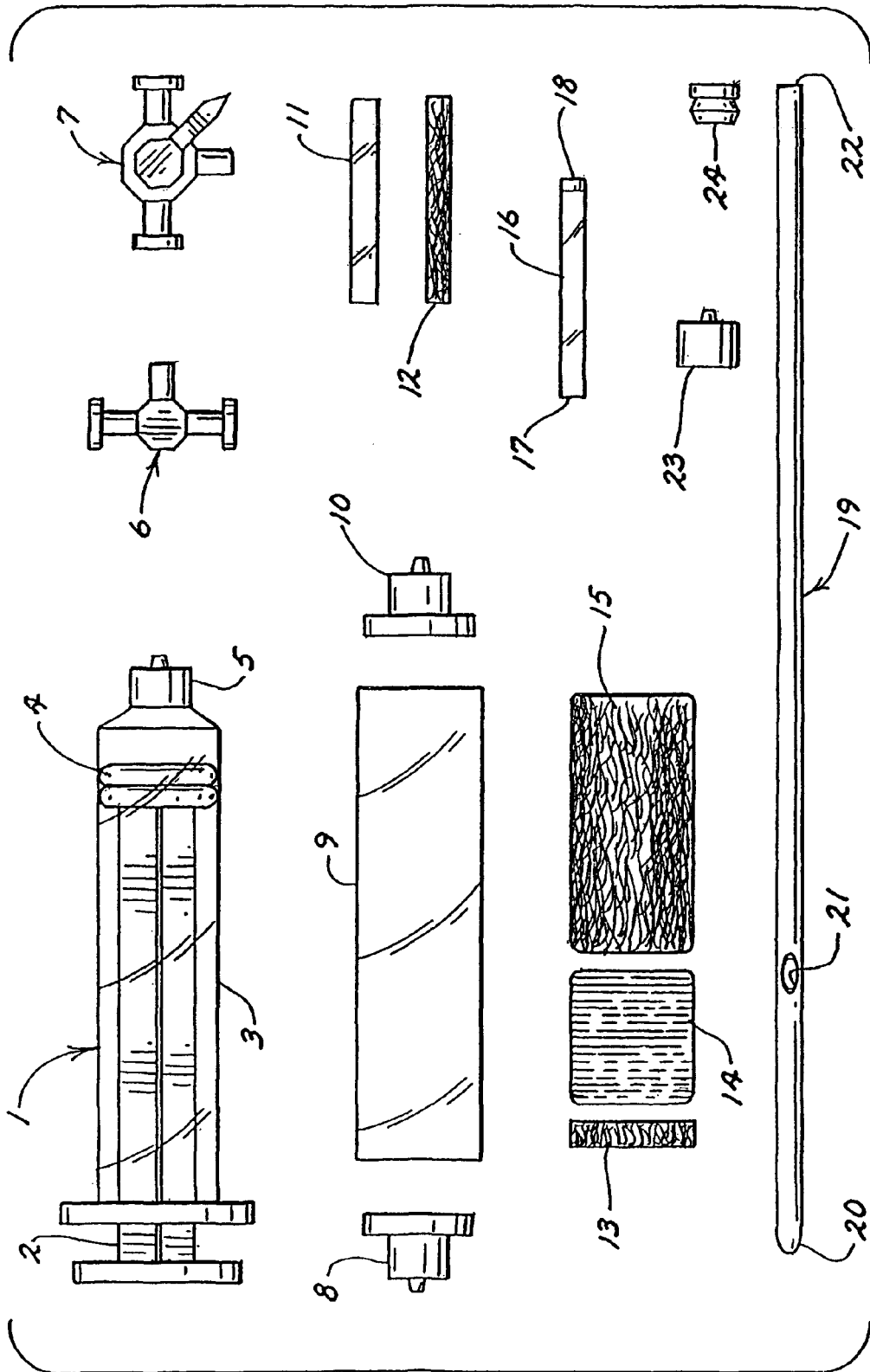


FIG. 1

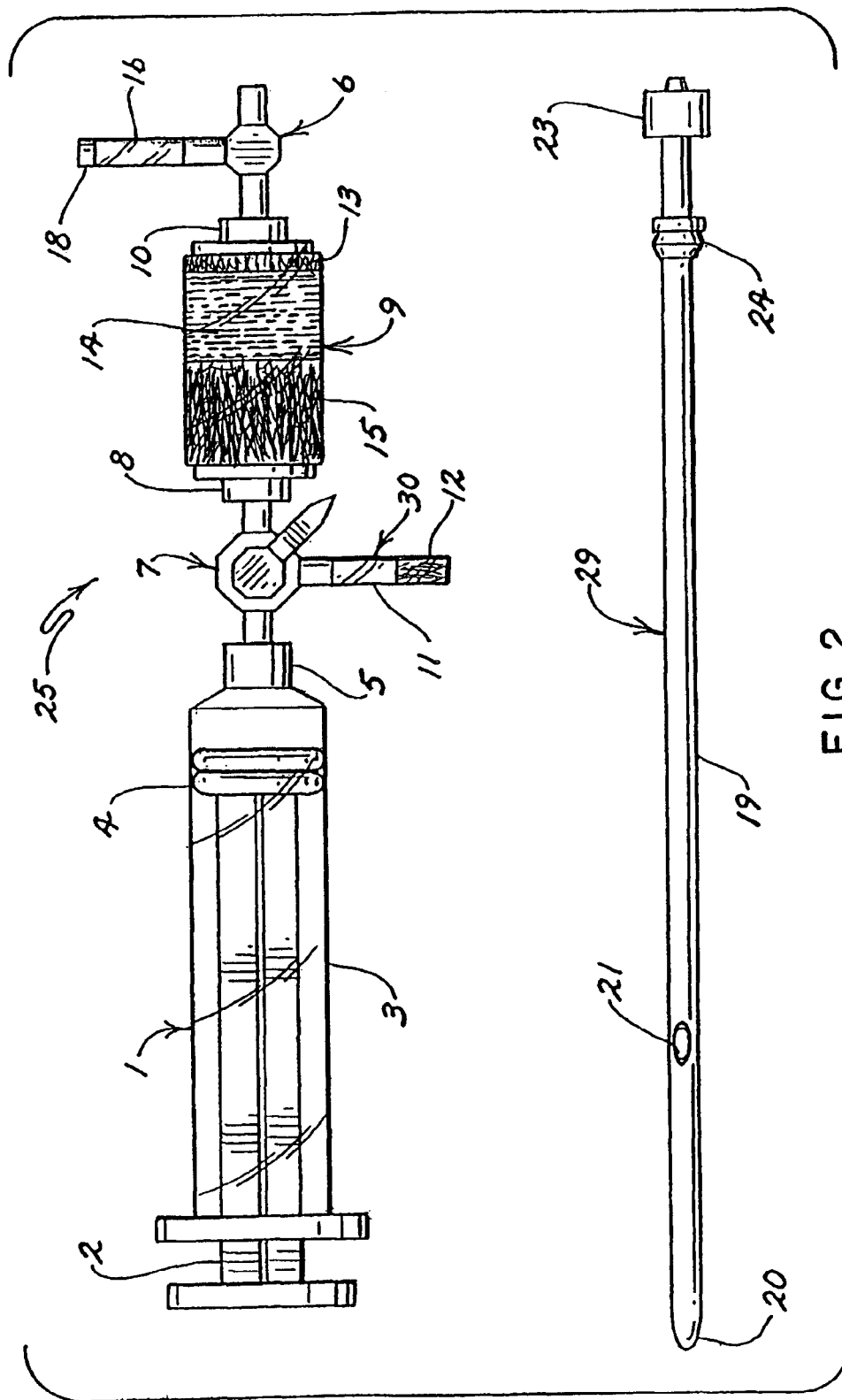


FIG. 2

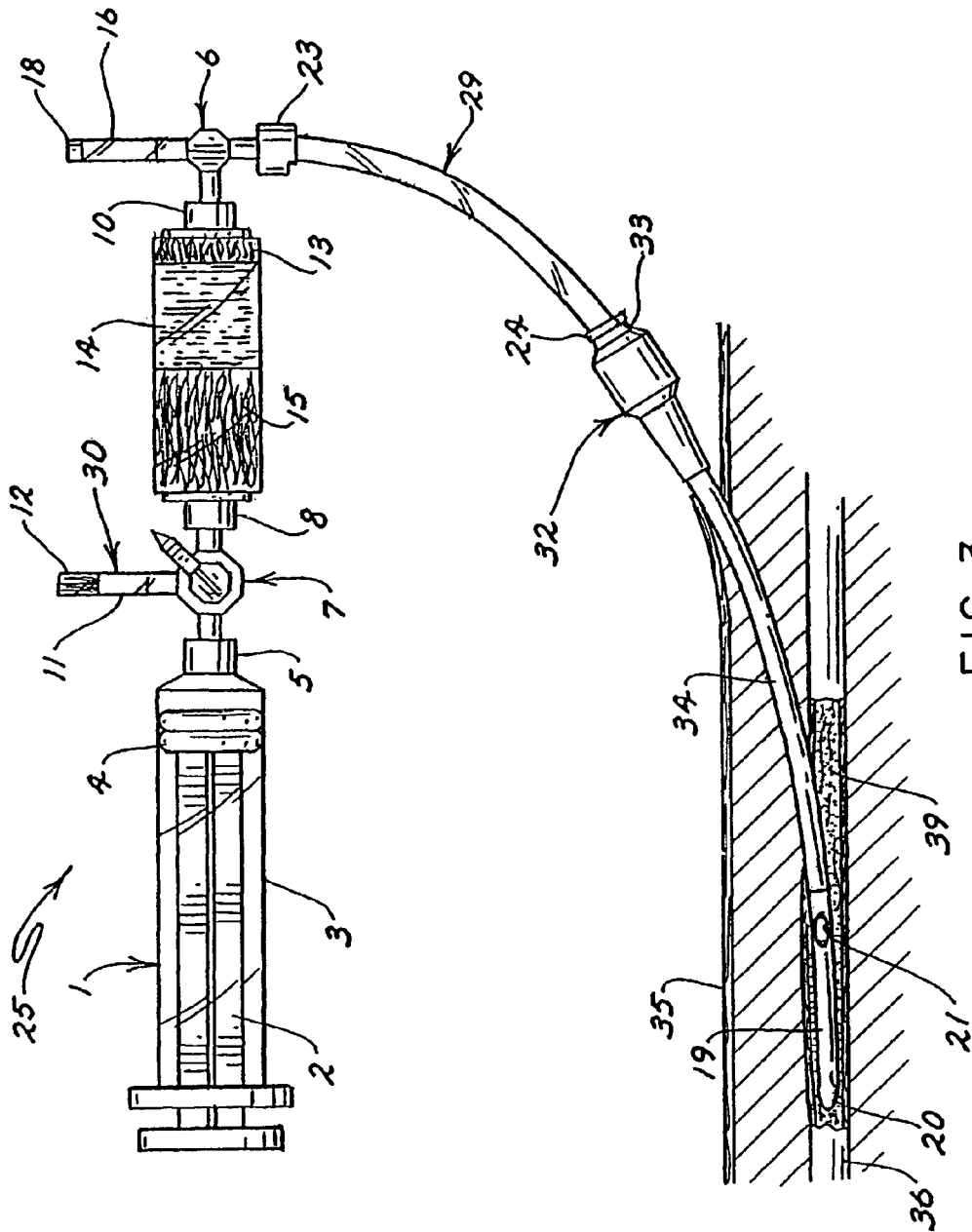
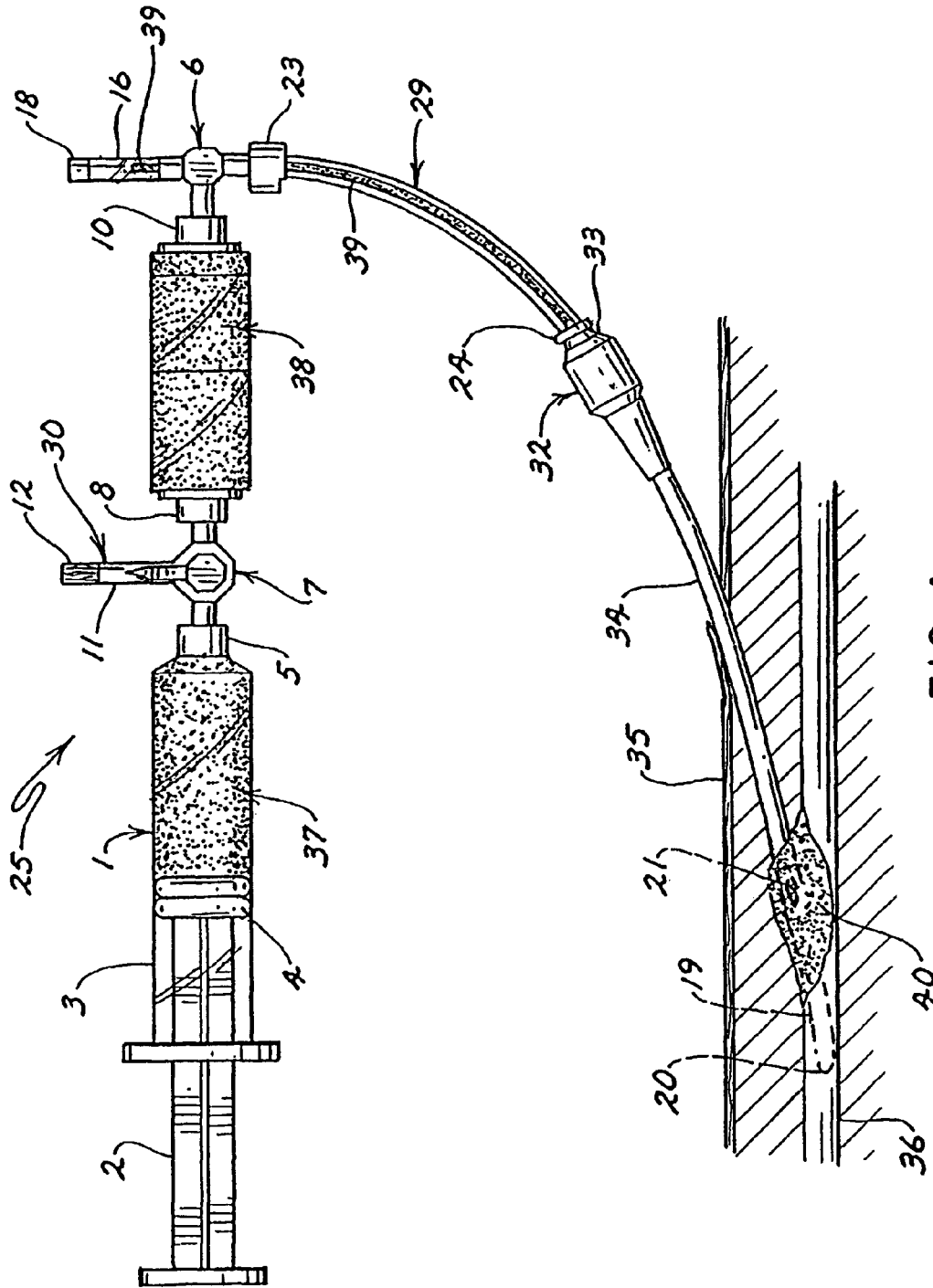


FIG. 3



METHODS OF CLOSING WOUNDS**CROSS-REFERENCE TO RELATED APPLICATIONS**

This is a continuation of U.S. patent application Ser. No. 13/852,094, filed Mar. 28, 2013 (now U.S. Pat. No. 8,652,169), which is a continuation of U.S. patent application Ser. No. 13/724,520, filed Dec. 21, 2012 (now U.S. Pat. No. 8,568,448), which is a continuation of U.S. patent application Ser. No. 11/337,278, filed Jan. 23, 2006 (now U.S. Pat. No. 8,652,168), which is a continuation of U.S. patent application Ser. No. 10/291,278, filed Nov. 8, 2002 (now U.S. Pat. No. 6,989,022), which is a continuation of U.S. patent application Ser. No. 09/732,423, filed Dec. 7, 2000 (now U.S. Pat. No. 6,478,808), which is a continuation of U.S. patent application Ser. No. 09/212,080, filed Dec. 15, 1998 (now U.S. Pat. No. 6,159,232), which claims benefit of U.S. Provisional Patent Application 60/069,834, filed Dec. 16, 1997, all of which are incorporated by reference in their entirety.

FIELD OF THE INVENTION

This invention concerns novel methods and apparatuses for medical applications, specifically wound closure applications. More particularly, the invention manipulates blood fluids, or its components, in new ways to close tissue or vascular wounds.

BACKGROUND

Numerous medical applications exist where sealing of biological tissue is desired. U.S. Pat. No. 5,510,102 to Cochrum identifies many of these, including for treating trauma of liver, spleen, pancreas, lung, bone, etc., for cardiovascular and vascular applications, such as microvascular anastomoses, vascular grafts, intraoperative bleeding, and aortic repair, for thoracic surgery, such as lung biopsy, for transplant of heart, renal, pancreas, lung, bone or bone marrow, for neurosurgery, such as nerve anastomoses or CSF leak repair, for endoscopic surgery, such as hemostasis in hepatic trauma or bile duct repair, for interventional radiology, such as hemostasis for percutaneous liver biopsy or vascular occlusion, for gastrointestinal surgery, such as colonic anastomoses, for obstetrics and gynecology, such as rectovaginal fistulas, for pediatric and fetal surgery, for plastic surgery and burn repairs, such as grafting process of cultured epidermis, for dermatology, such as hair transplants, for dental surgery, for ophthalmic cataract surgery, for urology, for correction of urinary fistulas and such others. With such broad application of the present invention possible, one is selected for illustrative continuity purposes throughout this document. The selected application is sealing of a vascular wound resulting from percutaneous entry as is frequently done in the performance of angiography, angioplasty, and atherectomy procedures.

Percutaneous vascular access is typically done in the context of performing some minimally invasive surgical procedure. Minimally invasive techniques are used to reduce trauma to the patient. Reduced trauma typically translates to improved patient comfort, less procedural complications, and lower costs. The vessel accessed is typically the femoral or radial artery. Access involves placement of an introducer's distal tip beneath the patient's skin and through the arterial wall. To the extent possible, percutaneous access preserves the integrity of tissue covering the artery. As a

result, when the introducer is to be removed the arterial access site is not exposed and the arterial wound is preferably closed without cutting down through the overlying tissue to expose the site.

To accomplish hemostasis at the wound, numerous methods of post-introducer arterial closure have been invented. Most of these are similar to each other in many respects with some novel differentiating characteristic separating them. All of them rely upon the clotting cascades being initiated at the wound site. All prior art devices may be broadly classified into two groups—those that passively support onset of the clotting cascades at the wound site and those that actively cause the clotting cascades at the wound site. By example, mechanical methods of holding the wound closed by clamping or suturing to prevent hemorrhaging are passive methods because they merely prevent continual flushing of the site as the clot attempts to take hold. To a lesser degree the body also does this naturally by vascular constriction. The second grouping—active clotting at the wound site—includes those methods which place a clot inducing material at the wound site. Such clot inducing formulations are many and typically either supply thrombin directly or stimulate thrombin release at the wound site.

Disadvantages of the prior art vary based on the method employed. Generally speaking, passive devices like clamping or suturing are either complex or expensive. Clamping, for example, can be labor intensive to administer manually and is uncomfortable for the patient by any means. Suturing, on the other hand, is complex and expensive because the wound site is typically small, remote, and blind to the physician placing the suture. Active devices are often costly and potentially dangerous. Active devices typically require placement of a clot-inducing foreign material in the patient which necessitates either expensive pretesting for potential allergic reactions or accepting the occasional adverse reaction which could lead to anaphylactic shock and even death as reported in *J. Trauma*, 31:408 (1991). Transmission of infectious diseases can occur when the material used was manufactured from pooled human blood as reported in *Oph. Surg.*, 23:640 (1992). Autologous preparations like fibrin glue as described in U.S. Pat. No. 5,674,394 to Whitmore are well known, but significant preparation with the associated labor and material costs are required, and typically an additional thrombin material must still be added at the wound site.

Despite the need for a device and method which overcomes the limitations of the prior art, none insofar as is known has been proposed or developed until the present invention.

Accordingly, it will be appreciated that there is a need for an efficient way of closing wounds. The present inventions provide advantages over the prior devices and the prior methods used to close wounds, and also offers other advantages over the prior art and solves other problems associated therewith.

SUMMARY OF THE INVENTION

This present invention provides methods of closing a wound including the steps of treating a blood fluid such that the clotting cascade is initiated and transporting the treated blood fluid to the wound to form a clot at the wound, thereby preventing fluid from passing through the wound. The invention further provides the clotting cascade initiation apparatus including a clotting cascade initiation apparatus within which a blood fluid can be received, the blood fluid being useful for treatment of a wound within a patient, said

apparatus including a substantially enclosed sterile containment chamber within which the blood fluid can be received and retained, and a procoagulating agent within the substantially enclosed sterile containment chamber wherein a clotting cascade can be initiated when the blood fluid is accepted in to the sterile containment chamber and exposed to the wound within the patient subsequent to the initiation of the clotting cascade such that the clotting cascade can be completed and a clot can form within the wound. The invention further provides the method of using the clotting cascade initiation apparatus including the steps of providing a means to substantially neutralize an anticoagulant. The invention further provides the method of using the clotting cascade initiation apparatus including the steps of providing a means to substantially neutralize an anticlot. The invention further provides the method of using the clotting cascade initiation apparatus including providing a kit to conveniently practice the method.

It is believed that the present invention offers significant advantages over the prior art methods and apparatuses. By activating the blood fluid clotting cascade within a substantially enclosed sterile container outside the patient prior to placement at the wound site, a myriad of clot performance enhancing possibilities are allowed which would otherwise be difficult or barred from practice if they had to be performed in the patient's body at the wound site. With such an expanded capability to manipulate the blood fluid, it is believed dramatic improvements may be realized in clot formation control, efficacy, reliability, safety, cost performance; anticoagulant inhibition control, efficacy, reliability, safety, cost performance; anticlot inhibition control, efficacy, reliability, safety, cost performance; and general apparatus ergonomic user friendliness, efficacy, reliability, safety, cost performance, and the like, should be attainable.

These and various other advantages and features of novelty that characterize the present invention are pointed out with particularity in the claims annexed hereto informing a part hereof. However, for a better understanding of the present invention, its advantages and other objects obtained by its use, reference should be made to the drawings, which form a further part hereof and to the accompanying descriptive matter, in which there is illustrated and described preferred embodiments of the present invention.

BRIEF DESCRIPTION OF THE DRAWINGS

The invention will be further described in connection with the accompanying drawings, in which:

FIG. 1 is a mosaic pictorial of example apparatus components;

FIG. 2 is a pictorial view of the two principal apparatus component assemblies used for illustration;

FIG. 3 is a pictorial of the assembled apparatus example as it is positioned initially in a patient; and

FIG. 4 is a pictorial of a method and apparatus example as positioned for return of blood fluid.

DETAILED DESCRIPTION OF THE PREFERRED EMBODIMENTS

As used herein, the following terms have the following meanings: "Blood fluid" means a fluid containing natural components of whole blood, whether derived from whole blood, whole blood extracts, or products of ex vivo cell cultures, the blood fluid containing sufficient blood components to enable a portion of the blood fluid to clot subsequent to the initiation of a clotting cascade; "Clotting cascade(s)"

means those chemical reactions occurring in blood which result in clot formation; "Clot" means a solidified mass of blood fluid having at least 90% of the available fibrin polymer cross-linked; "Biocompatible" means an agent is regarded by the regulating government body to be acceptable for implant in the human body; "Procoagulant" means a component capable of causing the blood fluid to form clot; "Anticoagulant" means a component capable of preventing blood fluid clot formation; "Homogenous clot activation" means the blood fluid volume begins to form clot at substantially the same time and rate throughout its volume; and "Anticlot" means any of the naturally occurring blood fluid components which play a role in dissolution of a fibrin clot. All patents, patent applications, and references cited herein are hereby incorporated by reference.

The current invention concerns a novel method and apparatus for use in hemostatic closure of tissue wounds. The invention activates the clotting cascade of the blood fluid then transports the treated blood fluid to the wound in the patient such that the blood fluid can come into contact with the patient proximate the wound such that a clot is formed in the wound which prevents fluid from passing through the wound. The invention provides the opportunity to manipulate the blood fluid in respects needed to achieve the desired clot formation in the wound. This typically includes the elements of basic clot formation, including but not limited to, converting fibrinogen to a fibrin monomer then fibrin polymer which ultimately becomes a cross-linked fibrin polymer; control of anticoagulants including, but not limited to heparin, coumadin, aspirin, Integrilin, Reapro, or a streptokinase enzyme; and ultimately control of dissolution of the fibrin clot involving, but not limited to, serine proteases. By containing blood fluid to be used in wound clot formation and activating the clotting cascade under controlled sterile conditions outside the patient, the present invention method and apparatus provides the opportunity to manipulate the blood fluid used to form a wound clot in many ways not before possible.

An apparatus to be used for sterile enclosed containment of the blood fluid may exist in many forms. A representative example of such enclosures would include syringes, cartridges, vials, test tubes, jars, bags, balloons, pouches, trays, dishes, bowls, tubing, catheters, cannula in general, and the like. A common feature to such containers would include the ability to keep the container substantially enclosed thereby preventing a level of contamination or loss of sterility unacceptable to the user. In practice, one or more containers may be used separately or in combination. For example, a syringe connected to a catheter may be regarded as two containers or a single container with a transfer means, depending on the context of the discussion it is used in. Both contexts are acceptable and not intended to be limiting. Likewise, a single container may have one or more chambers internal to it. As a result, a single container with multiple chambers may be referred to as a single container or multiple containers. Again, both referrals are acceptable and should be interpreted in the context of the discussion and not be interpreted as to be limiting.

Generally, the containers have at least one fluid communication element associated with it which connects the inside to the outside of the container. A fluid communication element may have a normally open hole such as a luer fitting, a normally closed hole such as a septum, or a selective opening such as a molecular sieve or semipermeable membrane, and the like.

Procoagulant refers to any element causing the blood fluid to form clot. Procoagulants may be any such acting material,

5

combination of materials, or mechanical activity. Mechanical procoagulants include blood fluid agitation, thermal induction, lysis, and the like. Procoagulant materials include those of biological origin such as cotton, thrombin, and the like. Procoagulant further includes inorganic materials like glass and the like. Procoagulant additionally includes synthetic organic materials like aminocaproic acid and the like, or polymers like dacron, nylon, polypropylene, silicone, and the like. Procoagulants may be used singularly or in combination.

Procoagulants, as with anticoagulant inhibitors and anticlot inhibitors discussed further on, may exist as an integral function of some other component, a coating on some other component, or be contained in some other component. Using procoagulants for illustrative purposes, an integral function example would be a glass walled container and the like. Glass causes the blood fluid to start clot formation while it also serves the functions of maintaining containment and sterility of the blood fluid. A coating example would be a static mixer having a surface bonded with diatomaceous earth and the like. An example of procoagulant containment in some other component may be either the presence of cotton loose within a container, the holding of thrombin in at least one chamber of multiple chambers in a container, or a container within another container, such as an inner sealed breakable vial containing aminocaproic acid, an inner container made from porous microbeads infused with aminocaproic acid, and the like.

Procoagulants, anticoagulant inhibitors, anticlot inhibitors and the like, may be added at the time of use, either before, during, or after and either singularly, sequentially, or in any combination with each other or with the blood fluid. Depending on the phase state of the material—gaseous, liquid, or solid, those skilled in the art can combine known hardware elements to implement the transfer.

As a preferred embodiment, the combining of procoagulant, anticoagulant inhibitor, anticlot inhibitor, and the like, either before, during, or after and either singularly, sequentially, or in any combination with blood fluid, preferably should be accomplished for homogenous respective functional results throughout the blood fluid. By example, a glass walled container can combine the functions of procoagulant, containment, and maintenance of sterility, however, unless the container is small, such as with a bundle of capillary-like tubes within a larger container, homogenous activation of the clotting cascade within the blood fluid does not occur. Specifically, a glass wall enclosing an undesirable large space would rapidly activate the clotting cascade of only that blood fluid close to the glass wall. Blood fluid at a distance from the wall reacts slower or not at all. The less than desirable result is that blood fluid at the glass wall forms a boundary layer of mature clot—that having substantial cross-linked fibrin polymer—which typically has little use because its adhesive capability and structure are often disrupted and destroyed during transport to the wound site. Likewise, the other zones of the blood fluid without clotting cascade activation do not clot in the wound site as desired. This clotting mechanism may be used but the aforementioned inferior results are to be expected. Hence it is a preferred embodiment to provide ways to improve homogeneity of the desired blood fluid reaction. Apparatus examples accomplishing this include a static mixer, dynamic mixer, a porous matrix, and the like. Examples of a porous matrix include glass beads or cotton in a container—both provide a high surface area for intimate contact and turbulence within the blood fluid as it passes through the matrix.

6

Thus, it may otherwise be stated that flowing blood fluid is preferred over pooled static blood and turbulent flow is preferred over laminar flow.

With regard to procoagulant, anticoagulant inhibitor, anticlot inhibitor and like materials, they may constitute more than one function, such as also making a static mixer, and the like, or they be separate as discussed above. This brings forth other embodiments and advantages of the invention. Specifically, it is also possible to classify procoagulant, anticoagulant inhibitor, anticlot inhibitor, and the like agents collectively as either catalytic or non-catalytic materials. By example, cotton is a catalytic material in the context that blood fluid is combined with it to initiate a reaction (procoagulation) in the blood fluid. It is then separated, trace cotton fiber notwithstanding, and substantially retained from the blood fluid prior to returning the blood fluid to the wound site. To the contrary, the liquid drug protamine sulfate may be added to the blood fluid as a non-catalytic material, for example via an injection port septum on the enclosed sterile container, to initiate a reaction (inhibit the anticoagulant heparin) and stay with the blood fluid when it is returned to the wound site. By further example, diethylaminoethyl cellulose (DEAE), a catalytic material, may be held inside of a container via filtration methods and the like. When heparin anticoagulated blood fluid is added to the container, DEAE cellulose binds with the heparin removing it from the blood fluid thus keeping both the heparin and itself from returning to the wound site, trace presence remaining in blood fluid notwithstanding. In the interest of avoiding adverse patient outcomes, like an allergic response, it is a preferred embodiment of the present invention to not leave significant foreign materials in the blood fluid that is being returned to the wound site. As such, a benefit of the present invention is that by manipulating blood fluid to initiate the clotting cascade outside the patient, it is possible to use many more agents in catalytic form for procoagulation, anticoagulation inhibition, anticlot inhibition, and the like, than would be allowed if the selection was limited to agents that had to be biocompatible, e.g., approved for implant in the body. This increased selection allows for reduction or elimination of compromises in product efficacy, reliability, and safety. Further, even when working with non-catalytic implantable agents, the invention has new benefits such as the ability to ensure appropriate blood fluid mixing, concentration, clot volume and the like when performed outside the body.

Anticoagulant inhibitor is used to prevent any clot inhibiting agents present in the blood fluid from performing their function. An anticoagulant inhibitor may be specific or general in function. By example, thrombin acts as a procoagulant but can serve double duty as an anticoagulant inhibitor simply by being present in volumes large enough to overwhelm the volume of anticoagulant present in the blood fluid. With the exception of protein deficiencies associated with hemophilia, anticoagulation typically occurs as the result of adding a foreign agent to the blood. Such agents typically include heparin, coumadin, aspirin, Integrilin, Reapro, or a streptokinase enzyme. In catalytic form, polymers of selective electrical charge, diethylaminoethyl cellulose, and the like, may be placed in the blood fluid, singularly or in combination with an anticoagulant inhibiting drug and the like, to attract and hold an anticoagulant. In the non-catalytic form, protamine sulfate and the like may be used to render inactive a drug like heparin. Examples and the preferred manner and form of introduction have been discussed above.

Anticlot inhibitor is a term used to describe anything that impairs the function of fibrin clot degradation. Degradation

7

of fibrin clots is naturally a function of plasmin, a serine protease that circulates as the inactive proenzyme, plasminogen. Anticlot inhibitors thus may serve in one way to disrupt the function of plasmin, plasminogen, and the like. Anticlot inhibitors may have value in extending the life of a wound sealing clot if desired. Examples of such inhibitors would be tranexamic acid, plasminogen binding material (PBM) available from Bioforma Research & Consulting, Inc., and the like. They may be applied in substantially the same way as discussed for anticoagulant inhibitors and procoagulants. Examples of the preferred manner and form of introduction have been discussed above.

The preferred embodiments of the apparatus of the present invention may be highly varied and is typically dependent on the individual application considering clinical situation, physician preference, and the like. As such, a clinical situation is selected and physician preference stated here for purposes of providing an illustrative example of one form of the invention apparatus. Presentation of this scenario is intended to be an instructive example of how the invention may be adapted to individual needs and should not be interpreted in a limited context as to how the invention applies. When used as a reference, those skilled in the art will be able to alter configurations and attributes of the apparatus to the same and other needs without departing from the scope and spirit of the present invention. The present example selected is that of post-introducer arterial wound closure following an angiographic procedure and the like. Post-introducer arterial wound closure typically involves the closure of a wound within an arterial wall such as the femoral artery, radial artery, and the like. Such wounds are typically subcutaneous in the sense that the artery is covered by tissue rather than being exposed by cut down through the tissue until the artery is visible to the practitioner. In the present illustration, an apparatus is configured for use typically with autologous whole blood.

FIG. 1 shows a typical array of components required to practice the invention when used to hemostatically close a post-introducer arterial wound. An advantage of the present invention apparatus example is that the components used are with rare exception standard off-the-shelf components commonly used throughout the medical industry and recognizable to those skilled in the art. A polymer 12 cc syringe 1 consisting of a plunger rod 2 connected to a fluid sealing piston 4 is slidably placed within a cylinder 3 thereby allowing the cylinder to receive and expel fluids and the like through the distal port 5 of the syringe 1. A three-way connector 6 permits fluid communication between its three ports. A three-way valve connector 7 permits selective fluid communication between its three ports. Luer lock cylinder cap fittings 8 and 10, typically made of polycarbonate, are used to form a container when assembled to the ends of cylinder 9, also typically made of polycarbonate. Tubing section 11 represents a short section of substantially clear tubing typically made from the polymer polypropylene and the like. A porous material 12 typically made from cotton, open cell polyurethane, and the like will be used as a component in the fabrication of a bacteria resistant air vent. The porous materials of 13 and 15 represent both filtration and procoagulant materials and are typically both made of cotton and the like and typically resemble a cotton-ball consistency. Item 14 represents the anticoagulant binding material diethylaminoethyl (DEAE) cellulose. Item 16 represents the construct of a simple pulsatile indicator consisting of a substantially clear tube typically made of a polymer and having one end open 17 and the opposing end 18 closed either by addition of a plug or a melting and the like of the

8

tube material. Tube 19 represents a length of tubing made of polyethylene and the like which will be used as a catheter. The outer diameter of tube 19 is typically the same French size as that specified for the introducer with which it is intended to be used. The distal end 20 is closed to fluid flow and forms an atraumatic tip for placement in an artery. The port 21 is proximal to the distal end 20 by typically 4 cm and typically approximates two-thirds the inner diameter of the tube and is placed through one wall of the tube 19 thereby permitting fluid communication between the outside of the tube with the inside of the tube extending fully to the proximal end 20 of tube 19. Item 23 represents a mating connector for assembly to and use with the proximal end 20 of tube 19 and at least one open port of the three-way connector 6. Item 24 represents a snap collar intended to be slidably placed over tube 19 and bonded to the outside of tube 19 along its length between port 21 and proximal end 22. The contour of the snap fit of collar 24 is configured to connect with any one of several different brands of manufacture of introducer, an example of which is illustrated in FIG. 3.

FIG. 2 represents a typical assembly of the subcomponents in FIG. 1 into a blood fluid processor 25 and a blood fluid transfer catheter 29. The assembly 25 represents the three-way connector 6 attached to open end of the pulsatile indicator 16 and distal end of the assembly of either cylinder cap fittings 8 or 10 from FIG. 1 as fitted to the cylinder 9 of FIG. 1 therein containing distally the cotton material 13, medially the diethylaminoethyl cellulose material 14, and proximally the cotton material 15. The function of the cotton material 13 is primarily that of a filter which is used to retain the loose fibrous diethylaminoethyl (DEAE) cellulose material 14. The DEAE cellulose material serves to bind with and retain the anticoagulant, heparin, in the blood fluid to be used. The function of the cotton material 15 is to serve as a filter to retain the DEAE cellulose and also as a procoagulant of the blood fluid. Item 30 represents the construct of a bacteria resistant air vent. Item 12 from FIG. 1 placed in the distal end of tube 11 from FIG. 1. The proximal end of item 30 is attached to one port of the three-way valve 7 of FIG. 1 which in turn mates the syringe port 5 of FIG. 1 with the proximal end cap connector 8 of FIG. 1 which is part of the aforementioned assembly containing the cotton and DEAE. The item of 29 represents the completed catheter assembly discussed above.

FIG. 3 represents the completed apparatus assembly in-place within the introducer and patient as it would typically be used. Catheter 29 is shown placed through the introducer 32 with proximal end 33 snap fitted to the catheter and extending beyond the distal end 34 until port 21 is in fluid communication with the inside of artery 36 which is substantially enclosed within living tissue 35. Accordingly, blood fluid flows through port 21 up through catheter 29 and into the pulsatile indicator 16 and the containing apparatus assembly 31. The arterial systolic/diastolic pressure variation causes blood fluid within the pulsatile indicator 16 to vary compression of the entrapped air space within 16 thus providing positive indication of the presence of port 21 within the artery. The three-way valve of 31 is turned to permit withdrawal of the syringe plunger thereby encouraging blood fluid to flow through the cotton and DEAE cellulose. As this occurs trapped air within the syringe may be exhausted by switching the three-way valve to the exhaust side and advancing the plunger. Once substantially exhausted of air, the three-way valve is returned to the position which permits blood fluid to enter the syringe upon withdrawal of the plunger. As blood fluid flows through the

apparatus toward the accumulating syringe, DEAE binds with and removes heparin from the blood fluid and the cotton present causes activation of the clotting cascade within the blood fluid as it passes through the cotton on its way to the accumulating syringe.

FIG. 4 represents the placement of blood fluid having an activated clotting cascade at the wound site. Both the catheter and introducer are withdrawn from the patient until there is a cessation of movement within the blood fluid 39 within the pulsatile indicator thus indicating that the catheter's distal port is now outside the artery. Once this has been established, the syringe plunger is advanced thereby driving clot-activated blood fluid 40 out the distal catheter port and depositing it about the wound where clotting continues. As the blood fluid 40 continues to advance to a mature clot, proximal pressure is applied to the artery and both the introducer and catheter are fully removed from the patient. After typically 3 to 5 minutes, proximal direct pressure may be eliminated and the procedure considered complete. Although not presented in this example, anticlot inhibition may have also been used if desired as previously discussed. Those skilled in the art will observe that blood fluid between the distal catheter port and the DEAE cellulose material escaped removal of anticoagulant. Experimentation has shown that such residual anticoagulant does not inhibit clot formation in the considerable larger volume of activated blood fluid. However, if this were a problem, it certainly would be possible to have a closed loop apparatus so that blood fluid does not travel the same fluid communication conduit to and from the wound area. Alternatively, an anticoagulant inhibitor may be placed within the catheter starting at the distal port and extend all the way back through to the proximal end of the device if desired. These alternatives merely illustrate examples of the tremendous latitude available to a product designer within the present invention.

In providing the user with a functional construct of the present invention, it may be desirable to provide the user with a kit of components bundled together for ease of use. As with other aspects of the invention illustrated earlier, this invention aspect can take many forms and is typically dependent on clinical application, user preferences, and the like. As such, the following is merely an illustrative example of what a kit may consist of and should not be interpreted as a limitation of the present invention. For the sake of continuity with previous illustrations, this illustration will be in the context of a typical kit for use with minimally invasive angiographic procedures and the like. Thus, the kit may contain a wound closure apparatus of the present invention

singularly or in combination with one or more of the following: an introducer, guidewire, dilator, obturator, collapsible catheter sheath, Seldinger needle, balloon catheter, infusion catheter, stent, scalpel, suture line, needle, pouch, tray, tray lid, instructions for use, adhesive identification label, sterility indicator, and the like.

It is to be understood, however, that even though numerous characteristics and advantages of the present invention have been set forth in the foregoing description, together with details of the structure and function of present invention, the sequence or order of the specific steps, or the actual compositions or materials used may vary somewhat. Furthermore, it will be appreciated that this disclosure is illustrative only and that changes may be made in detail, especially in matters of shape, size, arrangement of parts or sequence or elements of aspects of the invention within the principles of the invention to the full extent indicated by the broad general meaning of the terms in which the appended claims, which form a further part hereof, are expressed.

What is claimed is:

1. A method of percutaneously closing a puncture in the wall of an artery of a patient, comprising:
 - introducing a catheter percutaneously into the artery of the patient;
 - homogenously exposing the patient's arterial whole blood to a porous matrix that is not of biological origin;
 - situating the exposed blood at a position proximate the puncture as the blood is clotting;
 - removing the catheter from the artery as the blood is clotting; and
 - holding the exposed blood at the position as the blood continues to clot;
 - thereby forming a hemostatic closure comprising the patient's whole blood.
2. The method of claim 1, wherein the porous matrix comprises beads.
3. The method of claim 1, wherein the hemostatic closure comprises a cross-linked polymer.
4. The method of claim 3, wherein the cross-linked polymer comprises clotted whole blood.
5. The method of claim 3, further comprising transporting the cross-linked polymer from a position outside the patient's body to a position proximate the puncture.
6. The method of claim 1, wherein the exposing occurs outside of the patient.
7. The method of claim 1, wherein the exposed blood, at the time of the situating, is actively clotting.

* * * * *