



US007891085B1

(12) **United States Patent**
Kuzma et al.

(10) **Patent No.:** **US 7,891,085 B1**
(45) **Date of Patent:** **Feb. 22, 2011**

(54) **ELECTRODE ARRAY ASSEMBLY AND METHOD OF MAKING SAME**

(75) Inventors: **Janusz A Kuzma**, Parker, CO (US);
Anne M Pianca, Valencia, CA (US)

(73) Assignee: **Boston Scientific Neuromodulation Corporation**, Valencia, CA (US)

(*) Notice: Subject to any disclaimer, the term of this patent is extended or adjusted under 35 U.S.C. 154(b) by 639 days.

(21) Appl. No.: **11/329,907**

(22) Filed: **Jan. 11, 2006**

Related U.S. Application Data

(60) Provisional application No. 60/643,093, filed on Jan. 11, 2005.

(51) **Int. Cl.**
H01R 43/00 (2006.01)
A61N 1/00 (2006.01)

(52) **U.S. Cl.** **29/825**; 607/116

(58) **Field of Classification Search** 29/825;
607/115-122

See application file for complete search history.

(56) **References Cited**

U.S. PATENT DOCUMENTS

3,769,984 A 11/1973 Muench

5,555,618 A *	9/1996	Winkler	29/825
6,055,456 A	4/2000	Gerber	
6,205,361 B1	3/2001	Kuzma et al.	
6,216,045 B1 *	4/2001	Black et al.	607/122
6,249,708 B1 *	6/2001	Nelson et al.	607/122
6,551,302 B1 *	4/2003	Rosinko et al.	604/505
2005/0215945 A1 *	9/2005	Harris et al.	604/66

* cited by examiner

Primary Examiner—A. Dexter Tugbang

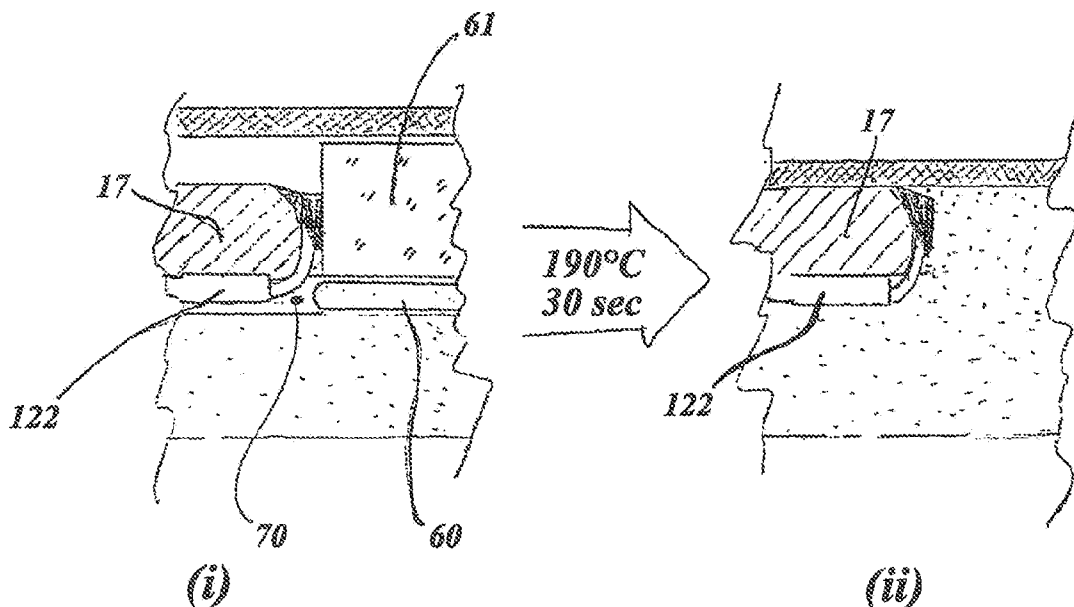
Assistant Examiner—David P Angwin

(74) *Attorney, Agent, or Firm*—Frommer Lawrence & Haug LLP; Bruce E. Black

(57) **ABSTRACT**

A lead assembly and a method of making a lead are provided. The method of making a multi-contact lead assembly comprises providing conductive contacts located at an end of a lead body, disposing conductive wires in conductor lumens formed in the lead body, and connecting the conductive wires to the conductive contacts. The method further includes placing spacers between pairs of conductive contacts and inserting monofilament in at least a portion of at least one of the conductor lumens not occupied by the conductor wires. The method also includes reflowing at least one of the spacers or monofilament into at least one portion of at least one of the conductor lumens by heating the spacers and monofilament to a temperature to cause thermal flow or melting of at least one of the spacers or monofilament.

19 Claims, 5 Drawing Sheets



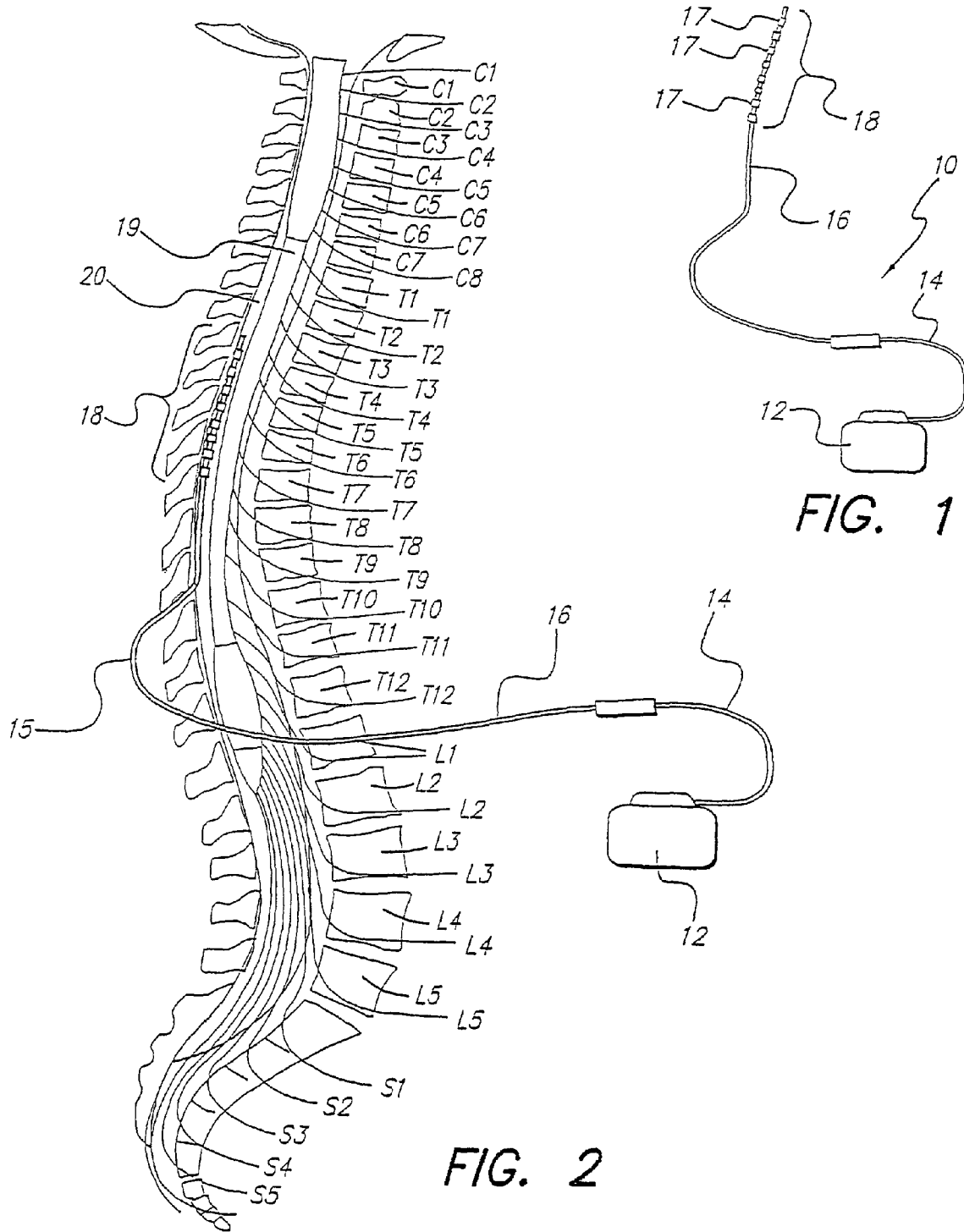


FIG. 1

FIG. 2

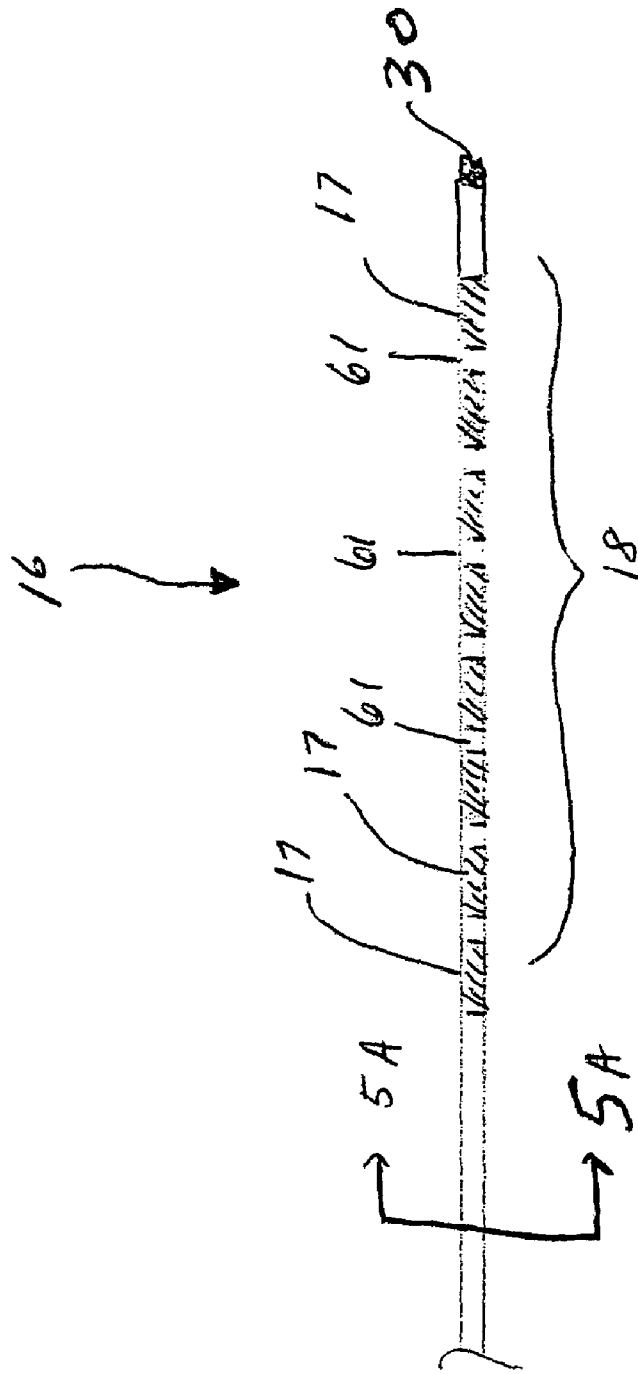
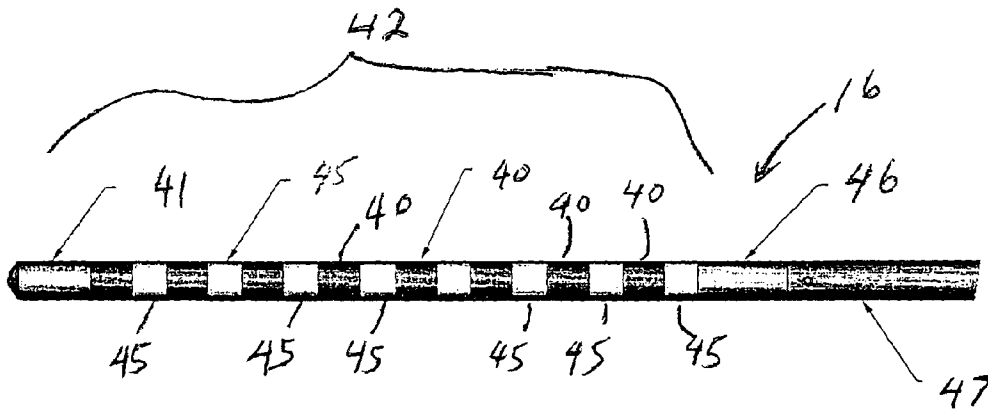
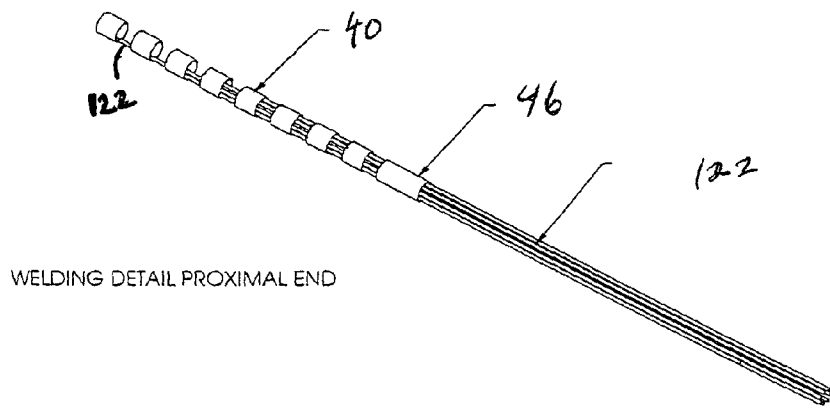


FIG. 3A



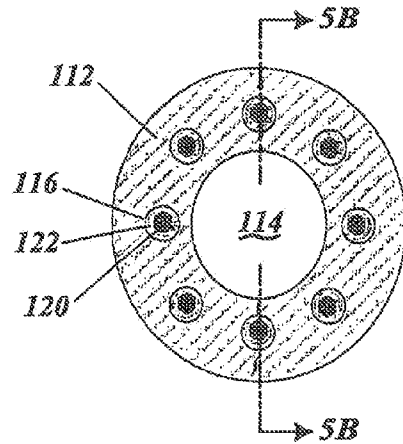


FIG. 5A

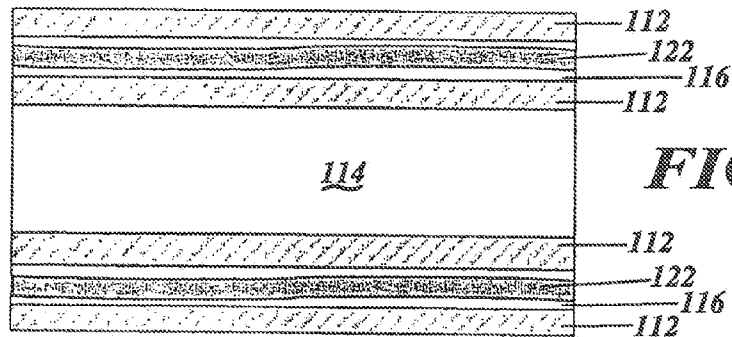


FIG. 5B

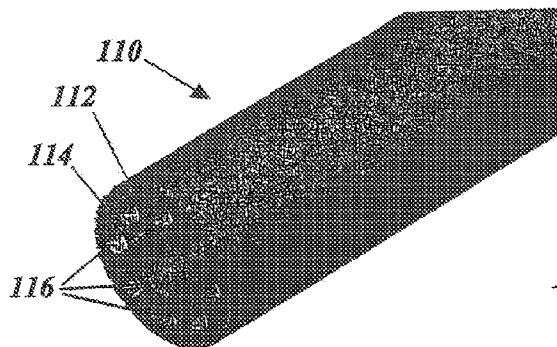


FIG. 5C

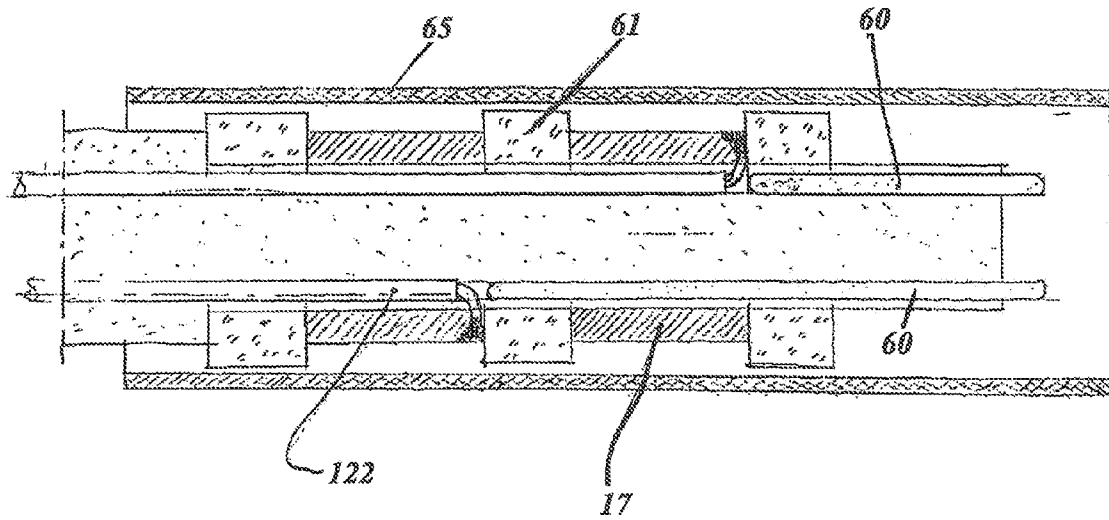


FIG. 6A

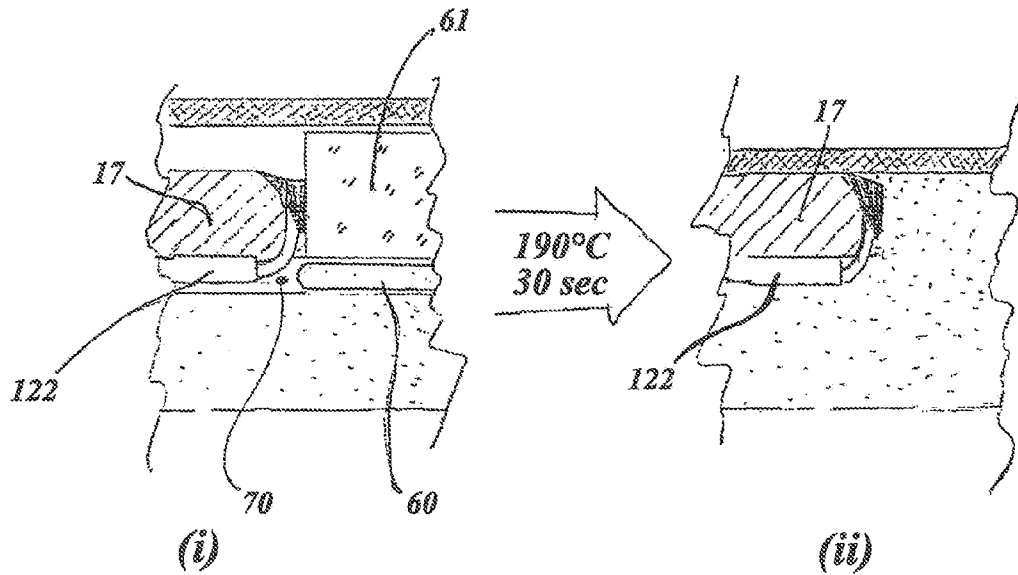


FIG. 6B

ELECTRODE ARRAY ASSEMBLY AND METHOD OF MAKING SAME

The present application claims the benefit of U.S. Provisional Patent Application Ser. No. 60/643,093, filed Jan. 11, 2005, which application is herein incorporated by reference in its entirety.

FIELD OF THE INVENTION

The present invention relates to implantable leads for providing electrical stimulation and, more particularly, relates to leads having multiple electrode contacts and methods of making such leads.

BACKGROUND

Many types of implantable leads are currently used to treat a variety of maladies. Two common treatment applications use leads having multiple electrode contacts. Cochlear stimulator systems use a multiple electrode contact lead inserted into one of the cochlear chambers to stimulate the cochlear nerve. Another application where a multiple electrode contact lead is used is the treatment of chronic pain through stimulation of the spinal cord.

Spinal cord stimulation systems generally have two implantable components: an implantable pulse generator (IPG) and at least one lead connected to one output of the IPG. Generally, however, the IPG is a multi-channel device capable of delivering electrical current through the electrode contacts of the lead. The term "lead" used herein will refer to an elongate device having any conductor or conductors, covered with an insulated sheath and having at least one electrode contact attached to the elongate device, usually at the distal portion of the elongate device. The lead can have an inner stylet lumen running through most of the length of the lead and which lumen has an opening at the proximal end of the lead. A stylet may be placed into this stylet lumen during steering and implantation of the lead. The inserted stylet in the lumen can help stiffen the lead so that the stylet/lead combination may be more easily inserted through tissue.

There are two types of leads that may be used with the IPG. The first type is a paddle lead, which has a multiplicity of electrode contacts spread out over a flat, paddle-like surface that is attached to one end of the lead. A paddle lead advantageously permits the electrode contacts to be spaced apart to provide wide coverage over a stimulation area. A disadvantage presented with a paddle lead is that it usually requires a laminectomy or laminotomy, which are highly invasive surgical procedures necessary to implant the large, non-isodiametric paddle.

A second type of lead that is commonly used is a percutaneous lead, which has multiple electrode contacts positioned along the distal portion of an elongate lead. U.S. Pat. No. 6,205,361 issued to Baudino et al. describes the making of a multi-contact electrode array for a lead. The distal end of the lead may be about the same thickness or diameter as the remainder of the lead. The percutaneous lead is dimensionally configured for tunneling to a target stimulation site. No invasive surgical procedure such as a laminotomy is required; the percutaneous lead may be placed through an epidural type needle reducing surgical trauma.

The method of making a multi-contact percutaneous lead can be involved. In general, it is desirable to make the lead efficiently, with the fewest number of process steps, maximize the manufacturing yield, and hence reduce the cost of goods of building the leads. There is thus a continual need to

improve the design of a percutaneous lead in order to improve its performance and to improve the method of manufacturing the lead.

BRIEF SUMMARY

A method of making a lead is provided. In one embodiment of the invention the method comprises: providing a plurality of conductive contacts located at the distal end of the stimulation lead; connecting a conductor wire to each of the conductive contacts; placing spacers between pairs of adjacent conductive contacts; placing monofilament within void spaces not occupied by a conductor wire, wherein the monofilament is the same material as the spacers; placing a heat shrink tubing around the spacers, conductive contacts and monofilament; and heating the spacers and monofilament just below the melting temperature to cause thermal fusion between the monofilament and spacer.

The conductive contacts may be connector contacts located at the proximal portion of the lead, which contacts are used to connect to the IPG, or the conductive contacts may be electrode contacts located somewhere on the lead (e.g., usually at the distal end of the lead).

In another embodiment of the method of making the lead, the method comprises: providing a plurality of conductive contacts located at the proximal end of the stimulation lead; connecting a conductor wire to each of the conductive contacts; placing spacers between pairs of adjacent conductive contacts; placing monofilament within void spaces not occupied by a conductor wire, wherein the monofilament is a different material than the spacers; placing a heat shrink tubing around the spacers, conductive contacts, and monofilament; and heating the spacers and monofilament to a temperature to cause thermal flow or melting of at least one of the spacers or monofilament.

Hence, while the monofilament and spacers may be the same material with the same melting temperatures, that is an optional part of the invention. The monofilament and spacers may actually be different materials, e.g., a type of thermoplastic polyurethane monofilament and another type thermoplastic polyurethane spacer, with different hardness and melting points in order to yield a particular stiffness.

In an embodiment of the invention, a lead assembly is provided comprising: a plurality of electrically conductive contacts; spacers placed between each adjacent contacts; a conductor wire connected to each conductive contact; and monofilament placed into void spaces not occupied by conductor wire, wherein the monofilament is made from the same insulative material as the spacer; and wherein the spacer and monofilament are thermally fused from heat applied to the lead assembly, which heat is just below the melting temperature of the spacer and the monofilament material.

In yet another embodiment, a lead assembly is provided comprising: a plurality of electrically conductive contacts; spacers placed between each adjacent contacts; a conductor wire connected to each conductive contact; and monofilament placed into void spaces not occupied by conductor wire, wherein the monofilament is made from a different insulative material as the spacer; and wherein the spacer and monofilament are heated to a temperature to cause either the spacer or monofilament material to thermally reflow or melt.

The monofilament and spacer may be the same thermoplastic material to have the same melting point and to thereby allow thermal fusion upon heating at a temperature just below the melting temperature of the material or the monofilament and spacer may have different melting points.

BRIEF DESCRIPTION OF THE DRAWINGS

The above and other aspects of the present invention will be more apparent from the following more particular description thereof, presented in conjunction with the following drawings wherein:

FIG. 1 shows a generalized spinal cord stimulation system with a percutaneous lead connected to an implantable pulse generator ("IPG");

FIG. 2 shows an illustration of the percutaneous lead implanted into the epidural space of a human spinal cord;

FIG. 3A shows a side view of the distal end of a percutaneous lead.

FIG. 3B shows a side view of the proximal (connector) end of the percutaneous lead shown in FIG. 3A;

FIG. 4 shows a view of the proximal end of the lead assembly showing the connector contacts and conductor wires that connect to each connector contact;

FIG. 5A shows a cross-sectional view of the percutaneous lead shown in FIG. 3A at line 5A-5A;

FIG. 5B shows a cross-sectional view of the percutaneous lead shown in FIG. 5A along line 5B-5B;

FIG. 5C shows a perspective view of the lead body, having a central stylet lumen and surrounding smaller lumens for containing conductor wires;

FIG. 6A shows a close-up, partial, longitudinal view of the lead assembly at the distal portion of the lead; and

FIG. 6B depicts how polyurethane monofilament or a thermoplastic material is used to fill the voids and is incorporated into the lead by applying heat.

Corresponding reference characters indicate corresponding components throughout the several views of the drawings.

DETAILED DESCRIPTION OF THE INVENTION

The following description is of the best mode presently contemplated for carrying out the invention. This description is not to be taken in a limiting sense, but is made merely for the purpose of describing the general principles of the invention. The scope of the invention should be determined with reference to the claims.

FIG. 1 shows a generalized stimulation system that may be used in spinal cord stimulation (SCS), as well as other stimulation applications. Such a system typically comprises an implantable pulse generator ("IPG") 12, an optional lead extension 14, a lead 16 and an electrode array 18. The electrode array 18 includes a plurality of electrode contacts 17. In a percutaneous lead, the electrode contacts 17 can be arranged in an in-line electrode array 18 at the distal end of the lead 16. Other electrode array configurations can also be used. The IPG 12 generates stimulation current pulses that are applied to selected electrode contacts 17 within the electrode array 18.

The proximal end of the lead extension 14 can be removably connected to the IPG 12 and a distal end of the lead extension 14 can be removably connected to a proximal end of the lead 16. The electrode array 18 is formed on a distal end of the lead 16. The in-series combination of the lead extension 14 and lead 16 conduct the stimulation current from the IPG 12 to electrode contacts 17 of the electrode array 18. It is noted that the lead extension 14 need not always be used with the neural stimulation system 10. Instead, the lead extension 14 may be used when the physical distance between the IPG 12 and the electrode array 18 requires its use, or for the purpose of a temporary trial procedure.

The IPG 12 contains electrical circuitry, powered by an internal primary (one-time-use-only) or a rechargeable bat-

tery, which through the use of electrical circuitry can output current pulses to each stimulation channel. Communication with the IPG can be accomplished using an external programmer (not shown), typically through a radio-frequency (RF) link.

FIG. 2 shows a transverse, mid-sagittal view of a spinal cord and a generalized, implantable, spinal cord stimulation system. The stimulation system shown is being used as a spinal cord stimulator (SCS) system. In such an application, the lead 16 and, more particularly, the electrode array 18 are implanted in the epidural space 20 of a patient in close proximity to the spinal cord 19. Because of the lack of space near the lead exit point 15 where the electrode lead 16 exits the spinal column, the IPG 12 may be implanted in the abdomen or above the buttocks. Use of lead extension 14 facilitates locating the IPG 12 away from the lead exit point 15.

FIG. 3A shows, in accordance with the invention, a distal portion of a percutaneous stimulating lead 16. The stimulating lead 16 is used to stimulate neural tissue by delivering electrical stimulus pulses through at least one of the electrode contacts 17. The electrode contacts 17 can be separated by electrode contact spacers (or an insulative material) 61 that insulate the electrode contacts 17 from each other. A radio-opaque marker 30 located at the distal tip of the lead 16 may be optionally included. Alternatively, the tip of the lead may be the same material as the remainder of the lead insulation. The IPG 12 may be configured to permit connection to the two stimulating leads, each having eight electrode contacts 17. A pair of stimulating leads 16 may be connected to an IPG 12 and an electrical circuit may be created between one electrode contact on the first lead and another electrode contact located on the second lead. The IPG 12, for example, may have sixteen independently programmable outputs that allow programming of pulse amplitude, pulse width and frequency of the pulse width. The electrode contacts 17 are to be made of a bio-compatible, electrically conductive electrode material such as platinum/iridium alloy, platinum, titanium or the like.

As an example, the stimulating lead 16 may have a diameter of between about 0.03 to 0.07 inches for spinal cord stimulation applications. An insertion cannula (not shown), e.g., a 14 gauge insertion needle may be used, while a 0.05 inch diameter stimulating lead is inserted within the cannula to help implant the stimulating lead 16. The stimulating lead 16 may come in a variety of lengths, e.g., 30, 50, 70 and 90 cm. A practitioner can extend the length of any of the available lead lengths by opting to use an extension lead 14 (shown in FIG. 1). The proximal male end of the extension lead 14 should be configured to be insertable into the lead connector of the IPG and the distal female end of the extension lead should be configured to accept the proximal connector end of the stimulating lead 16.

FIG. 3B shows, in accordance with the invention, a depiction of the proximal end of the lead 16. This proximal lead end, including the eight, electrically conductive, connector contacts 40, and a contact tip element 41, collectively will be called herein as the proximal lead connector end 42 of the stimulating lead 16. Connector contact spacers 45 are placed between the connector contacts 40. The spacers 45 may be made from an implantable grade polyurethane such as Pellethane® 55D thermoplastic material. The contacts 40 may be made from a non-corrosive, electrically conductive material, e.g., platinum/iridium alloy or platinum. Contact tip 41, however, is not electrically connected to any conductor and contact tip 41 may merely serve as a hard surface for a mechanical contact securing device, such as a set screw, which may be used to secure the lead connector end 42 with the connector block of the IPG 12. Contact tip 41 is optional and does not

5

need to be included as part of the lead. Instead, the contact tip of the lead may be of similar or the same insulation material as the remainder of the lead **16** or lead body **110** (FIG. **5C**).

Preferably the lead **16** is substantially isodiametric, meaning that the diameter along the lead's entire length is equal or nearly equal. However, the lead **16** does not need to be isodiametric. For example, the connector contacts **40** at the proximal end may be larger (oversized) or smaller in diameter compared to the remainder of the lead **16** or lead body **110** (shown in FIG. **5C**). Likewise, the electrode contacts **17** may be larger (oversized) or smaller in diameter compared to the remainder of the lead **16** or lead body **110** (shown in FIG. **5C**).

FIG. **4** shows a proximal lead assembly with each of the connector contacts **40** welded to a respective one of conductors **122**. Each of the eight connector contacts **40**, as shown, are connected to a conductor **122** which, in turn, are connected to a respective electrode contact **17** at the distal end of the stimulating lead **16**. The insulating material between the connector contacts **40** and around the conductors **122** is not shown in FIG. **4** for purposes of better illustrating the connection between each conductor and its respective connector contact. The connection may be a weld. Cylindrical element **46** is optional and is not connected to any conductor. Cylindrical element **46** may be used as a contact element for a mechanical securing device such as a set screw in order to secure the lead **16** to the IPG **12**. Alternatively, or in addition, the cylindrical element **46** may function as a radiopaque element, provided that the material used for element **46** is radiopaque.

FIG. **5A** shows a cross-sectional view of the lead of FIG. **3A** along line **5A-5A**.

FIG. **5B** shows a partial, cross-sectional view of the lead along the line **5B-5B**.

FIG. **5C** shows a perspective view of an exemplary lead body **110** of the lead **16**, excluding conductor wires. The lead body is that portion of the lead insulation **112** that is between the distal electrode contact array **18** and the array of connector contacts **40** (FIG. **4**) at the proximal lead connector end **42**. The lead body **110** may be extruded as a one-piece component. Note the central stylet lumen **114** and the surrounding eight conductor lumens **116**.

FIGS. **5A** and **5B** show an exemplary embodiment of an insulation section **112** of the lead body **110** having eight lumens **116** containing the conductor (wires) **122**, having individual strands **120**. For example 15 or 16 individual conductor strands **120** may be braided or bundled into a single conductor **122**. Also shown is a central lumen **114** that may be used to accept an insertion stylet (not shown) within the lumen to facilitate lead implantation. The opening of the lumen occurs at the proximal end of the lead **16**. The lead body **110** may be a biocompatible, insulating lead material. Preferably the lead body **110** is made from a polyurethane. In particular the material may be Pellethane® thermoplastic material, e.g. 55D, 65D, or other durometer hardness. As previously indicated for FIG. **5C**, the lead body **110** shown in FIG. **5B** may be extruded as one piece.

FIG. **6A** shows a partial view of a longitudinal, cross-section at the distal end of the lead, in accordance with an embodiment of the invention. FIG. **6A** shows a ring-like electrode contact **17** (which may be platinum, for example), multi-stranded conductor **122** and electrode contact spacer **61** (or an insulative material). The spacer **61**, which is ring-like in configuration, may be made of polyurethane insulative material, e.g., Pellethane®. Monofilament **60**, also may be made of thermoplastic Pellethane® material or other insulation material, e.g., polyester. During manufacture, the monofilament **60** may be inserted into the void spaces that are not filled by

6

the conductor **50**. A heat shrink tube **65** is also shown placed around the electrode contacts **17** and conductor **122** assembly. The heat shrink tube **65** may be PTFE (e.g., Teflon® material) or a polyester heat shrink material. The heat shrink tube can be used during manufacturing and is not part of the stimulation lead.

FIG. **6B** shows a two-frame, time-elapsd illustration of a partial view of the distal end of the lead as in FIG. **6A** showing the conductor **122** connected (e.g., welded) to the electrode contact **17**. The first frame (i) of FIG. **6B** shows the sequence in which the monofilament **60** fills a large part of the void space **70**. The part of the lead assembly shown is then placed into a heat, for example, at 190 degrees Celsius for a period of 30 seconds. The heat that may be used, e.g., for polyurethane material (such as Pellethane®), may range from about 140 to 250 degrees Celsius for a period of about between 15 to 120 seconds. However, importantly, the heat applied to the spacer and monofilament material, should be just below the melting temperature of the material. At this just-below-melting temperature, the spacer and monofilament will reflow and thermally fuse together as shown in the second frame (ii). The spacer **61** and the monofilament **60** may be exactly the same material with the same melting temperature in order to facilitate thermal fusion. For example, the material may be the same implantable grade polyurethane such as Pellethane 55D or 75D.

Alternatively, however, the monofilament may be of a different material than the spacer to alter the mechanical characteristic of the final lead assembly. The monofilament and spacer may have different melting points or very close melting points. The monofilament and spacers may be the same type of material but with different formulations, e.g., to provide different hardness. For example, the monofilament may be a 55D (durometer hardness) material and the spacer may be a 75D material. The predetermined temperature chosen to heat both the monofilament and spacers should cause at least one of the materials used to thermally reflow or, alternatively to melt. In some cases, the temperature may be chosen that one material melts while the other material thermally reflows.

While FIGS. **6A** and **6B** show the distal end of the lead, the same process of using a monofilament to fill up void spaces may be used at the proximal end of the lead assembly. At the proximal end of the lead assembly, the conductive contacts are not electrode contacts but, are instead, electrically conductive connector contacts **40** that must be in electrical connection with complementary contacts in the IPG connector. The connector contact spacers **45** at the proximal end of the lead (shown in FIG. **3B**) are placed between adjacent connector contacts **40**. In one embodiment of the invention, the connector contact spacers **45** may be oversized—that is, the spacers may have an initial diameter that is larger than the final lead diameter. The proximal connector end of the lead assembly **42** may then be heated to a temperature (just below melting point of the spacer and monofilament) for a duration of time previously described in order to produce thermal fusion of the connector contact spacer **45** and monofilament **60** to create a continuous reflow of material between the spaces not occupied by the connector contacts **40** and conductor wires **122**.

Alternatively, the monofilament **60** and spacer **45** may be different materials with different melting points or about the same melting points.

Hence, the method of placing monofilament into void spaces not occupied by the conductor **122**, may be used solely at the distal end of a lead, solely at the proximal end of a lead, or may be employed concurrently at both ends of a lead. If only one end of a lead employs monofilament, the other end

of the lead may employ another method to finish the build, e.g., overmolding using a mold or injecting material such as epoxy, e.g., Hysol® into the void spaces between the contacts and conductor wires.

Example

The following steps illustrates one example embodiment of a method for making the lead, in accordance with the invention. Embodiments of the method can include one or more of the following steps (although not necessarily in the order presented). (1) A braided or bundled, insulated, multi-filament conductor, e.g., having 2-200 filaments, can be ablated of insulation at one end to expose the conductor. (2) The exposed end of the conductor can be welded to an electrode contact (located on the distal end lead assembly). (3) Oversized, distal lead spacers may be placed between the electrode contacts. (4) The multi-lumen tube (lead body) may be pre-cut with ablated section located at the distal and proximal ends. (5) Each end of the conductor cable can be inserted through the corresponding conductor lumens in the lead body. (6) The oversized spacers can be placed between each ring-like electrode contact at the distal end of the lead assembly; the spacers **61** may be “oversized”, meaning that they may have a diameter greater than the lead body **110** and in addition, the diameter of the electrode contacts **17** may be oversized compared to the diameter of the lead body **110**. (7) The distal end of each conductor cable can be welded to the ring-shaped electrode contact. (8) Polyurethane monofilament may be placed inside the void space as shown in FIG. **6A**, and inside any empty conductor lumens **116**. (9) A heat shrink tube or wrap, preferably, made from PTFE (Teflon) or polyester, can be placed over the distal end of the lead assembly and over the electrode array; this distal end can be placed into a high temperature block, e.g., between about 140-250 degrees Celsius for a period of about 30 to 120 seconds. (10) The distal assembly can be removed from the heat and the shrink tube or wrap can be removed. (10) Optionally, the distal tip of the lead can be formed using an RF welder.

Post processing of the lead is not always required. For example, grinding of the distal or proximal ends of the leads is not necessary with this method of manufacturing, although optionally, a centerless grinding process may be used, if desired.

The method of making the distal and proximal part of the lead, in accordance with the present invention, eliminates most, if not all tooling, including eliminating the use of molds.

The method of making a lead and the resulting multi-contact lead, in accordance with the invention, provides advantages over conventional leads and methods of making a lead. A prior method of making the distal portion of the lead uses epoxy to fill the voids between the spacer **61** and the contacts **17**. This has certain disadvantages. For instance, use of an epoxy requires a curing step, e.g., of up to eight hours, adding to the total time required to build a lead. With use of epoxy, there may also be some variation in stiffness of the final lead assembly post-cure because the epoxy is generally a different material than the insulative body or spacers and because curing may occur unevenly. The use of like materials, e.g., polyurethane lead body, polyurethane spacers and polyurethane monofilament can yield a better bond between these parts.

Although the lead and method of making the lead are described in the context of a spinal cord stimulation lead, it will be understood by those skilled in the art that the same lead, albeit with appropriate dimensions for a particular appli-

cation, and the method of making the lead may be used to make a multi-contact lead suitable for use in other applications, such as deep brain stimulation, cardiac stimulation and peripheral nerve stimulation.

While the invention herein disclosed has been described by means of specific embodiments and applications thereof, numerous modifications and variations could be made thereto by those skilled in the art without departing from the scope of the invention set forth in the claims.

What is claimed is:

1. A method of manufacturing a stimulation lead having a proximal end and a distal end, comprising:
 - providing a plurality of conductive contacts located at an end of a lead body of the stimulation lead;
 - disposing a plurality of conductor wires in a plurality of conductor lumens formed in the lead body;
 - connecting at least one of the plurality of conductor wires to each of the conductive contacts;
 - placing spacers between pairs of adjacent conductive contacts, wherein portions of the conductor lumens are located beneath the plurality of conductive contacts and the spacers;
 - inserting monofilament into at least one portion of at least one of the conductor lumens of the lead body that is not occupied by the conductor wires; and
 - reflowing at least one of the spacers or monofilament into at least one portion of at least one of the conductor lumens not occupied by the conductive wires by heating the spacers and monofilament to a temperature to cause thermal flow or melting of at least one of the spacers or monofilament.
2. The method of claim 1, wherein either the spacers or monofilament is polyurethane.
3. The method of claim 2, wherein the monofilament is a thermoplastic material.
4. The method of claim 3, wherein the heat applied is between about 140 to 250 degrees Celsius.
5. The method of claim 4, wherein the heat is applied for between about 15 to 120 seconds.
6. The method of claim 1, wherein the spacers are oversized in diameter, relative to a predetermined final diameter of the lead.
7. The method of claim 1, wherein conductive contacts are in the form of rings.
8. The method of claim 1, wherein the conductive contacts are electrode contacts on the lead.
9. The method of claim 1, wherein the conductive contacts are connector contacts on the proximal end of the lead.
10. The method of claim 1, wherein the step of connecting a conductor wire to each of the electrode contacts is accomplished by welding each conductor wire to each respective contact.
11. The method of claim 1, wherein the monofilament is a different material than the spacers.
12. The method of claim 1, wherein the monofilament is the same material as the spacers.
13. The method of claim 5, wherein the heat applied is about 160 degrees Celsius for about 40 seconds.
14. The method of claim 1, wherein the plurality of electrically conductive contacts are located on the proximal end of the stimulation lead.
15. The method of claim 1, wherein the plurality of electrically conductive contacts are located on the distal end of the stimulation lead.
16. The method of claim 1, wherein the plurality of electrically conductive contacts and the spacers form a substan-

9

tially cylindrical body and wherein the conductor lumens are defined within the substantially cylindrical body.

17. The method of claim 1, wherein the monofilament is disposed in an orientation parallel to the conductor wires.

18. The method of claim 1, further comprising placing a heat shrink tubing around the spacers, conductive contacts,

10

and monofilament and removing the heat shrink tubing after reflowing at least one of the spacers or monofilament.

19. The method of claim 18, wherein the heat shrink tubing is made from a material selected from the group consisting of PTFE or polyester heat shrink material.

* * * * *