

(12) **United States Patent**
Rota et al.

(10) **Patent No.:** **US 9,801,696 B2**
(45) **Date of Patent:** **Oct. 31, 2017**

(54) **INSTRUMENT FOR DRILLING DENTAL ROOT CANALS**

(71) Applicant: **MAILLEFER INSTRUMENTS HOLDING SARL**, Ballaigues (CH)

(72) Inventors: **Gilbert Rota**, Vaux et Chantegrue (FR);
Paul-Henri Vallotton, Pampigny (CH)

(73) Assignee: **MAILLEFER INSTRUMENTS HOLDING SARL**, Ballaigues (CH)

(*) Notice: Subject to any disclaimer, the term of this patent is extended or adjusted under 35 U.S.C. 154(b) by 0 days.

(21) Appl. No.: **14/651,677**

(22) PCT Filed: **Jun. 7, 2013**

(86) PCT No.: **PCT/IB2013/001191**

§ 371 (c)(1),

(2) Date: **Jun. 12, 2015**

(87) PCT Pub. No.: **WO2014/118591**

PCT Pub. Date: **Aug. 7, 2014**

(65) **Prior Publication Data**

US 2015/0320517 A1 Nov. 12, 2015

(30) **Foreign Application Priority Data**

Jan. 30, 2013 (WO) PCT/IB2013/000108

(51) **Int. Cl.**

A61C 5/00 (2017.01)

A61C 5/02 (2006.01)

A61C 5/42 (2017.01)

(52) **U.S. Cl.**

CPC **A61C 5/023** (2013.01); **A61C 5/42** (2017.02)

(58) **Field of Classification Search**

CPC **A61C 5/023; A61C 5/42**
See application file for complete search history.

(56) **References Cited**

U.S. PATENT DOCUMENTS

4,842,451 A 6/1989 Dugger
5,503,554 A 4/1996 Schoeffel
(Continued)

FOREIGN PATENT DOCUMENTS

DE 102006007316 A1 8/2007
EP 0120542 A1 10/1984
(Continued)

OTHER PUBLICATIONS

International Search Report, dated Sep. 13, 2013, from corresponding PCT application.

(Continued)

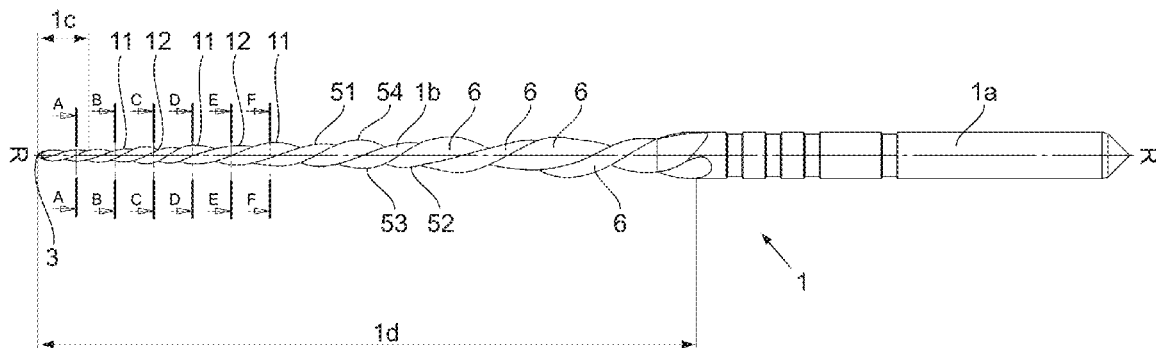
Primary Examiner — Eric D. Bertram

(74) *Attorney, Agent, or Firm* — Young & Thompson

(57) **ABSTRACT**

An instrument for drilling dental root canals includes a tapered rod having over at least a part of its length—the active part—a polygonal cross-section forming at least two cutting edges, the active part terminating by a point and being defined by an envelope of cylindrical or conical shape, whose longitudinal axis coincides with the instrument's axis of rotation. The active part has a first portion extending from the point and a second portion extending following the first portion towards the rear of the active part. At least one cross-section of the first portion has a center of mass located on the axis of rotation and the cutting edges are located on the envelope. Any cross-section of the second portion has a center of mass offset with respect to the axis of rotation and at least one cutting edge defined by the cross-section is located set back.

10 Claims, 4 Drawing Sheets



(56)

References Cited

U.S. PATENT DOCUMENTS

5,775,904	A	7/1998	Riitano	
5,836,764	A	11/1998	Buchanan	
5,921,775	A	7/1999	Buchanan	
5,938,440	A	8/1999	McSpadden	
6,106,296	A	8/2000	Johnson	
6,702,579	B1	3/2004	Hoppe et al.	
7,955,078	B2	6/2011	Scianamblo	
2004/0023186	A1	2/2004	McSpadden	
2004/0219485	A1	11/2004	Scianamblo	
2005/0100859	A1	5/2005	Graybill et al.	
2005/0282109	A1	12/2005	Hagemann	
2006/0111724	A1	5/2006	Yeung	
2006/0228668	A1*	10/2006	McSpadden A61O 5/023 433/102
2006/0228669	A1	10/2006	Scianamblo	
2006/0265858	A1*	11/2006	McSpadden A61C 5/023 29/558
2007/0015107	A1	1/2007	Mannschedel et al.	
2012/0034048	A1	2/2012	Krieg et al.	

FOREIGN PATENT DOCUMENTS

EP		0987076	A2	3/2000
EP		1184004	A2	3/2002
EP		1213074	A2	6/2002
EP		1340573	A1	9/2003
EP		1361831	A1	11/2003
FR		2798277	A1	3/2001
FR		2854054	A1	10/2004
FR		2935260	A1	3/2010
JP		52-156494	A	12/1977
JP		57-127608	A	8/1982
JP		62-241606	A	10/1987
JP		H06-320323	A	11/1994
JP		11-019812	A	1/1999

JP		2002-144122	A	5/2002
JP		2002-205213	A	7/2002
JP		2009502349		1/2009
JP		2009-108382	A	5/2009
SU		637207	A1	12/1978
WO		01/19279	A1	3/2001
WO		02/065938	A1	8/2002
WO		2004/098438	A1	11/2004
WO		WO2009001681	A1	8/2010
WO		2012038437		3/2012
WO		2014/118587	A1	8/2014

OTHER PUBLICATIONS

Japanese Office Action dated Jan. 18, 2017; Application No. 2015-554257.

European Office Action issued in Application No. 06007527.2, dated Jun. 17, 2009.

European Office Action issued in Application No. 04750878.3, dated Jun. 5, 2007.

European Office Action issued in Application No. 04751290.0, dated Jun. 5, 2007.

International Search Report and Written Opinion issued in Application No. PCT/US2014/051916, dated Feb. 4, 2015.

International Search Report and Written Opinion issued in Application No. PCT/US2014/051909, dated Dec. 22, 2014.

European Office Action issued in Application No. 06007527.2, dated Jul. 6, 2004.

“ProTaper Next: A Shift Up in Performance,” ProTaper Next Rotary Files, Jan. 2013, 1 pages.

European Search Report issued in Application No. 14838210.4, dated Mar. 8, 2014.

“Drilling Through Walls,” Ultimate Handyman, YouTube, <URL: <https://www.youtube.com/watch?v=fpFUxlcH2Lg>>, Sep. 23, 2011, retrieved from the internet Aug. 24, 2017, 3 pages.

* cited by examiner

Fig.1

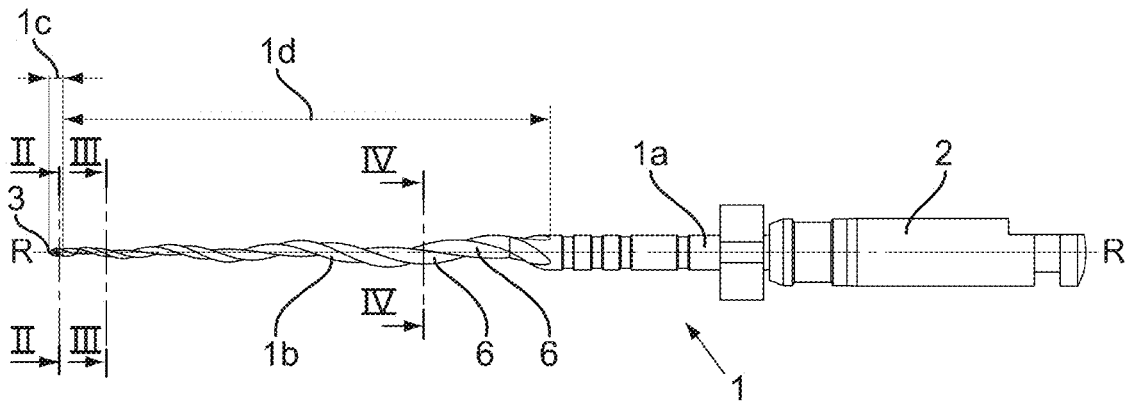


Fig.2

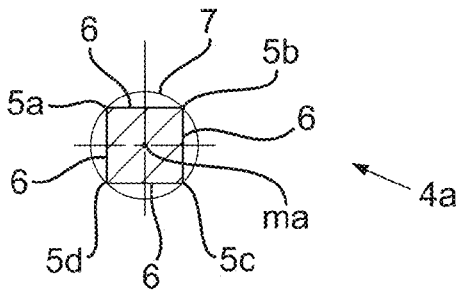


Fig.3

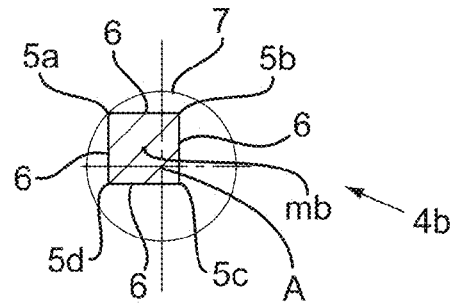


Fig.4

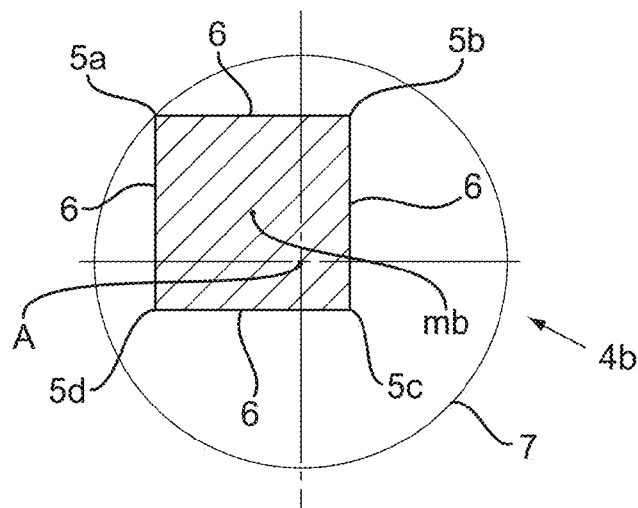


Fig.5

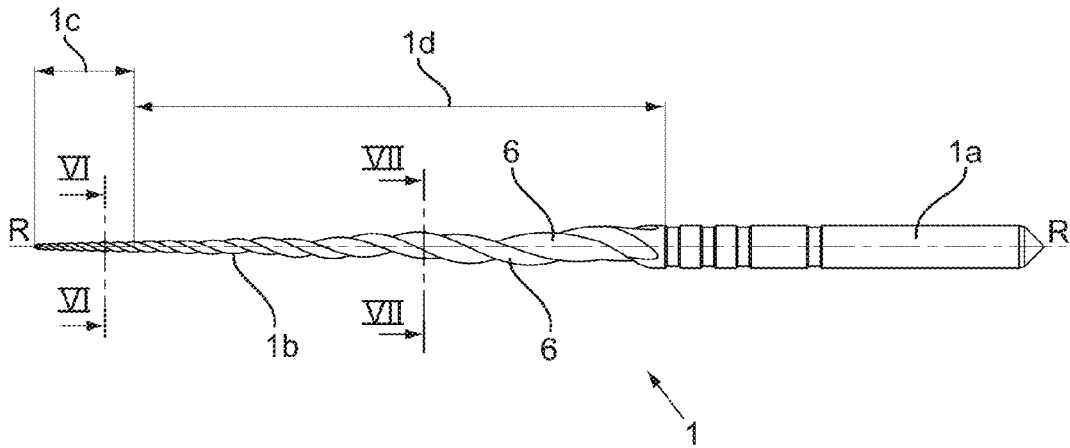


Fig.6

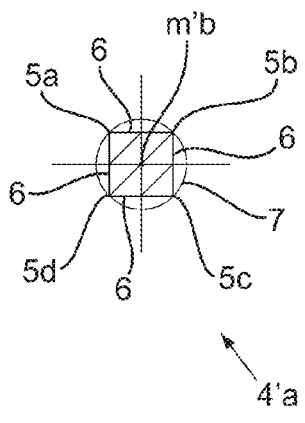


Fig.7

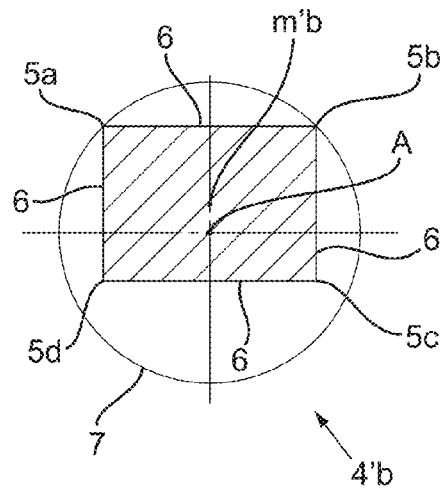


Fig.8

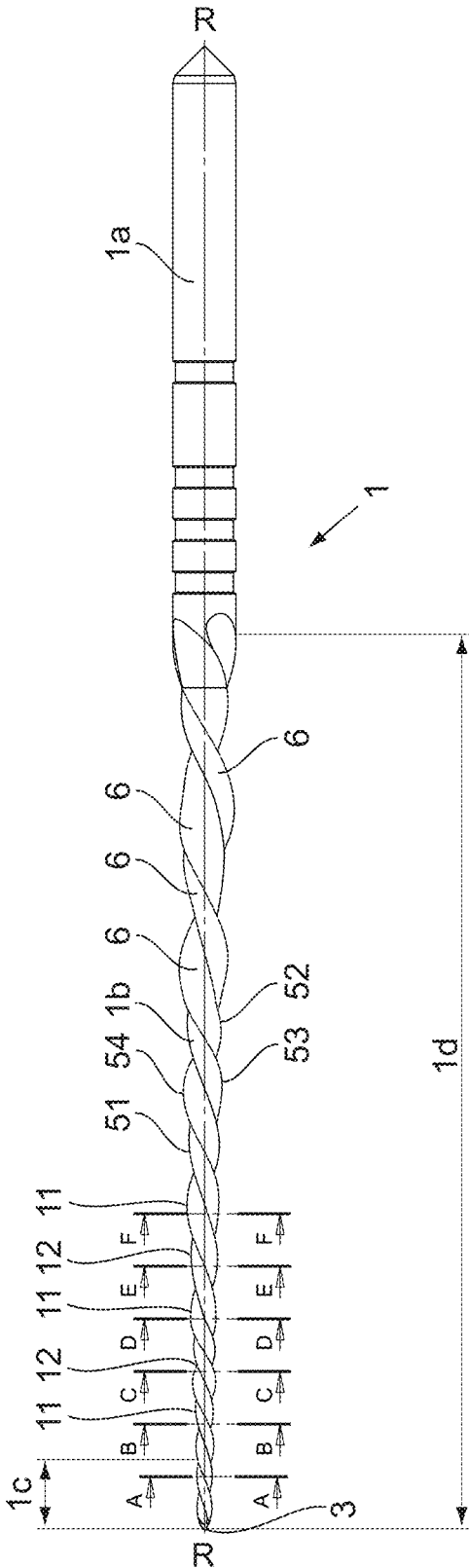


Fig.9

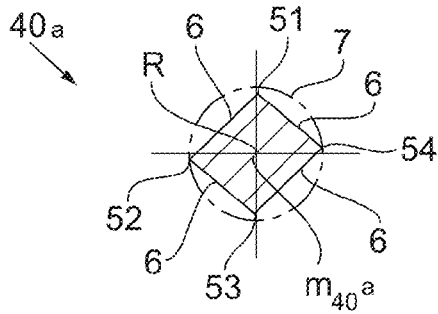


Fig.10

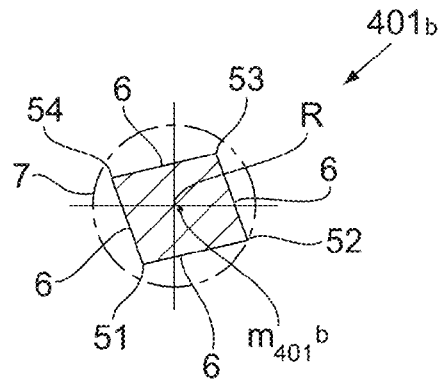


Fig.11

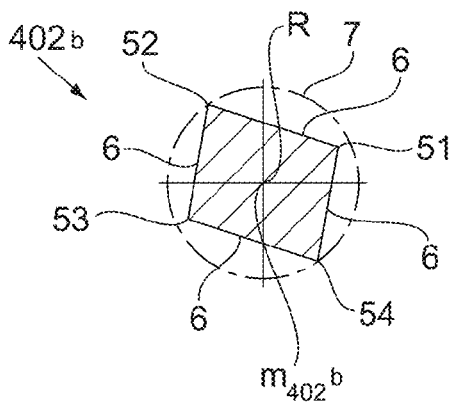


Fig.12

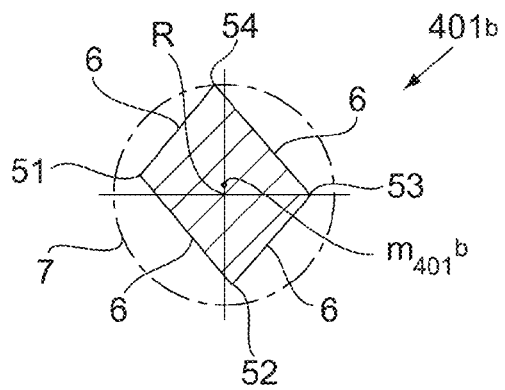


Fig.13

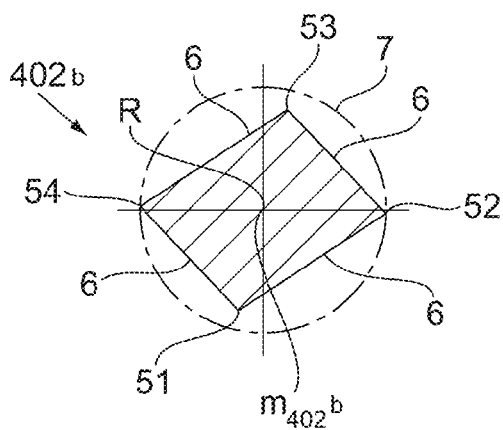
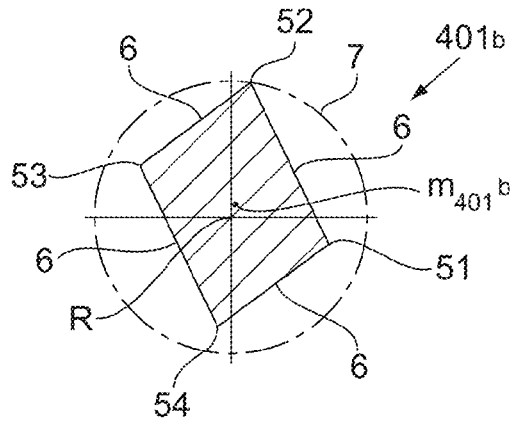


Fig.14



1

INSTRUMENT FOR DRILLING DENTAL ROOT CANALS

BACKGROUND OF THE INVENTION

Field of the Invention

The object of the present invention is an instrument for drilling dental root canals.

Description of the Related Art

The treatment of an infected dental root is carried out by extracting the pulp using special instruments, then by shaping the root canal using successive drilling procedures, traditionally carried out with instruments of varying size and conicity. The final operation consists of filling the root canal.

The shaping of the root canal consists initially of enlarging the canal in its crown and medial parts to permit, as a second step, easier treatment of the apical part of the canal by mechanical cleaning the infected tissues.

An instrument designed for drilling dental root canals generally has a tapered rod fitted into a handle to permit it to be driven manually or mechanically and comprising, on at least part of its length, helicoidal flutes with a constant or non-constant pitch, and having at least one cutting edge.

Used in continuous rotation, this type of instrument may have a tendency to screw itself into the canal. Apart from the screwing action, another problem occurring in the production of instruments for drilling root canals is that of the strength and flexibility of the instruments. Indeed, when the instrument is too flexible it may bend or break before the practitioner has been able to complete the operation and when the instrument is too rigid, it follows the curvature of the dental root canal only with difficulty.

Numerous instruments have been developed in response to these problems. Document EP 1 361 831 describes an instrument for drilling dental canals comprising a base, a cutting section and a guiding section, the cutting section being defined by an envelope of a cylindrical or conical shape, the longitudinal axis of which coincides with the axis of rotation of the instrument. The cutting section has clearance zones disposed set-back with respect to the envelope, alternating with drilling zones disposed on said envelope.

This alternating arrangement of zones on the envelope and set back from the envelope makes it possible to reduce the risk of screwing the instrument into the dental canal. Furthermore, the axis of the cutting section can be offset with respect to the axis of the envelope. This makes it possible to deepen the clearance zones and to make the evacuation of the debris during treatment more effective.

Document U.S. Pat. No. 7,955,078 describes an endodontic instrument for preparation of dental root canals comprising a body shaped to turn about an axis of rotation. The body has a centre of mass which is not located on the axis of rotation of the instrument, thus giving the impression that the instrument is undulating ("swaggering") when it is rotated. An instrument such as this has greater flexibility and thus makes it possible to follow the complex curves of a dental root canal most effectively.

However, in these two documents the axis of the active part is offset with respect to the axis of rotation of the instrument over the whole length of said active part and in particular the axis of the point of the instrument is offset. This can generate a beating motion of the point within the canal. It thus becomes difficult to ensure optimum dimensioning of the canal during treatment, in particular in its apical portion. Moreover, a point with its axis offset also has

2

the disadvantage of pushing the debris back towards the apical portion rather than evacuating it towards the top of the canal.

The aim of the present invention is to produce an instrument for drilling dental root canals which obviates the stated disadvantages. In particular, one aim of the present invention is thus to produce an instrument which is flexible while being strong, reliable and effective and which makes it possible at the same time to respect the initial path of the root canal to be treated and to ensure optimum dimensioning of the canal in its apical portion after treatment.

BRIEF SUMMARY OF THE INVENTION

The object of the present invention is an instrument for drilling dental root canals.

BRIEF DESCRIPTION OF THE DRAWINGS

The drawings schematically illustrate by way of example a plurality of embodiments of the instrument in accordance with the invention.

FIG. 1 illustrates a first embodiment of an instrument for drilling dental root canals in accordance with the invention.

FIG. 2 is a cross-sectional view at the line II-II of the instrument shown in FIG. 1.

FIG. 3 is a cross-sectional view at the line III-III of the instrument shown in FIG. 1.

FIG. 4 is a cross-sectional view at the line IV-IV of the instrument shown in FIG. 1.

FIG. 5 illustrates a second embodiment of an instrument for drilling dental root canals in accordance with the invention.

FIG. 6 is a cross-sectional view at the line VI-VI of the instrument shown in FIG. 5.

FIG. 7 is a cross-sectional view at the line VII-VII of the instrument shown in FIG. 5.

FIG. 8 illustrates a third embodiment of an instrument for drilling dental root canals in accordance with the invention.

FIG. 9 is a cross-sectional view at the line A-A of the instrument shown in FIG. 8.

FIG. 10 is a cross-sectional view at the line B-B of the instrument shown in FIG. 8.

FIG. 11 is a cross-sectional view at the line C-C of the instrument shown in FIG. 8.

FIG. 12 is a cross-sectional view at the line D-D of the instrument shown in FIG. 8.

FIG. 13 is a cross-sectional view at the line E-E of the instrument shown in FIG. 8.

FIG. 14 is a cross-sectional view at the line F-F of the instrument shown in FIG. 8.

DETAILED DESCRIPTION OF THE PREFERRED EMBODIMENTS

In a first embodiment shown in FIG. 1 the instrument in accordance with the invention comprises a rod 1 fitted at one of its ends 1a in a handle 2 permitting either manual actuation of the instrument or preferably its engagement in a hand-held part providing mechanical driving of the said instrument. In particular, the instrument 1 is intended to be driven in rotation about its axis of rotation R.

The rod 1 has an active part 1b extending to the other end 3—the point 3—of the rod 1. Said active part 1b is preferably tapered and conical, narrowing to the point 3 of the rod 1. Alternatively, the active part 1b or the whole rod 1 could be cylindrical rather than conical.

3

The active part **1b** has a polygonal cross-section (the sides of which are straight or curved) and comprises cutting edges. More particularly in this first embodiment, the active part **1b** has, over its whole length, a square cross-section **4** forming four cutting edges **5a**, **5b**, **5c**, **5d** defining between them four helicoidal flutes **6**, one flute being the face defined between two successive cutting edges of the active part **1b**. The active part **1b** is defined by an envelope **7** which is substantially tapered and has its longitudinal axis coinciding with the axis of rotation R of the instrument.

The particular feature of the instrument in accordance with the invention resides in the fact that the active part **1b** has a first portion **1c** extending from the point **3** towards the rear of the active part **1b** and of which the centre of mass is located on the axis of rotation R of the instrument and a second portion **1d** extending from the end of the first portion **1c** to the rear of the active part **1b** and of which at least one cross-section has a centre of mass which is not located on the axis of rotation R of the instrument but is offset with respect to said axis R. In the first embodiment shown in FIGS. **1** to **4**, any cross-section of the second portion **1d** of the active part **1b** of the instrument **1** has a centre of mass which is not located on the axis of rotation R but is offset with respect to said axis.

More precisely, and as shown in FIG. **2**, in accordance with the invention any cross-section **4a** of the first portion **1c** has its centre of mass m_a on the axis of rotation R of the instrument. Moreover, in this first embodiment the four edges **5a**, **5b**, **5c**, **5d** of such a cross-section **4a** are located on the envelope **7**. Thus the first portion **1c** and in particular the point **3** are centred with respect to the axis of rotation R of the instrument or in other words the longitudinal axis of the first portion **1c** coincides with said axis of rotation R.

As shown in FIGS. **3** and **4**, in the first embodiment, any cross-section **4b** of the second portion **1d** of the active part **1b** has its centre of mass m_b offset with respect to the axis of rotation R of the instrument and preferably a single cutting edge **5a** of such a cross-section **4b** is located on the envelope **7**, the other cutting edges **5b**, **5c** and **5d** being disposed inside said envelope **7**. Thus in the first embodiment the whole of the second portion **1d** of the active part **1b** is off-centre with respect to the axis of rotation R of the instrument.

Thus an effective instrument is obtained because its point **3** is centred, does not generate any beating within the canal and has four active cutting edges.

Such an instrument in accordance with the invention can be obtained from a rod with a circular cross-section, preferably made from a nickel-titanium alloy, by providing therein helicoidal flutes by machining (milling), these flutes defining cutting edges such that the cross-section of the rod **1** is polygonal over the whole length of its active part **1b**. In order to achieve the particular geometry of the active part **1b** in accordance with the invention, the flutes **6** of the second portion **1d** of the active part **1b** are overcut with respect to the flutes **6** of the first portion **1c** in order to obtain at least one cross-section **4b** of said second portion **1d** of which at least one cutting edge is set back within the envelope **7** and of which the centre of mass m_b is offset with respect to the axis of rotation R. Thus on the second portion **1d** of the active part **1b** material is removed from the instrument in accordance with the invention, which makes it more flexible on this second portion than a traditional instrument which would have, over its whole active part, a cross-section with its centre of mass centred on the axis of rotation and all its

4

edges inscribed on the envelope. By virtue of the present invention, an instrument is obtained which is effective at its point **3** while being flexible.

Preferably, in the first embodiment, the second portion **1d** has a progressive offset with respect to the axis of rotation R in the direction of the rear of the instrument: i.e. a cross-section of the second portion **1d** close to the point has its centre of mass less offset proportionally to the surface of the cross-section with respect to said axis of rotation R than a cross-section of the second portion **1d** closer to the rear of the instrument. In terms of machining the instrument, this produces flutes **6** which are overcut proportionally more and more along the second portion **1d** of the active part **1b** with respect to the flutes of the first portion **1c**. Thus in this first embodiment the flexibility of the instrument is adjustable and in particular increases progressively towards the rear of the active part **1b**.

Preferably, the first portion **1c** of the active part extends over a length of 3 millimeters starting from the point **3** of the active part **1b**. In a still more preferred manner, said first portion **1c** has a length of 1 millimeter.

FIGS. **5** to **7** show a second embodiment of an instrument in accordance with the invention in which the active part **1b** has, over its whole length, a rectangular cross-section **4'** forming four cutting edges **5a**, **5b**, **5c**, **5d** defining four helicoidal flutes **6**, one flute being the face defined between two successive cutting edges of the active part **1b**. As in the first embodiment, the active part **1b** is defined by an envelope **7** which is substantially tapered and has the axis of rotation R of the instrument as its longitudinal axis.

The active part **1b** also has a first portion **1c** extending from the point **3** towards the rear of the active part **1b** and having its centre of mass located on the axis of rotation R of the instrument and a second portion **1d** extending from the end of the first portion **1c** to the rear of the active part **1b** and of which at least one cross-section has a centre of mass offset with respect to the axis of rotation R of the instrument. Preferably, and as in the first embodiment, any cross-section of the second portion **1d** of the instrument in accordance with the second embodiment has a centre of mass offset with respect to the axis of rotation R.

In this second embodiment, and as shown in FIG. **6**, any cross-section **4'a** of the first portion **1c** is square and has its centre of mass $m'a$ on the axis of rotation R of the instrument. Furthermore, the four edges **5a**, **5b**, **5c**, **5d** of such a cross-section **4'a** are located on the envelope **7** of the instrument. As shown in FIG. **7**, any cross-section **4'b** of the second portion **1d** of the active part **1b** has its centre of mass $m'b$ offset with respect to the axis of rotation R of the instrument. In contrast to the first embodiment, for each cross-section **4'b** of the second portion **1d** of the active part **1c** of the instrument in accordance with the second embodiment, two cutting edges **5a** and **5b** are on the envelope **7**, the two other cutting edges **5c** and **5d** being disposed inside said envelope **7**.

The other considerations relating to the first embodiment remain valid for this second embodiment.

As shown in FIGS. **6** and **7**, the cross-sections **4'a** and **4'b** of the first and second portions **1c**, **1d** are not necessarily symmetrical, the cross-section **4'a** preferably being square, while the cross-section **4'b** may be rectangular.

FIGS. **8** to **14** show a third embodiment of an instrument in accordance with the invention, in which the active part **1b** of the instrument has, over its whole length, a polygonal cross-section **40** of a parallelogram shape, forming four cutting edges **51**, **52**, **53**, **54** defining four helicoidal flutes **6**, one flute being the face defined between two successive

5

cutting edges of the active part **1b**. As in the previous embodiments, the active part **1b** is defined by an envelope **7** which is substantially tapered and has the axis of rotation **R** of the instrument as its longitudinal axis.

In accordance with the invention, the active part **1b** has a first portion **1c** extending from the point **3** towards the rear of the active part **1b** and having its centre of mass located on the axis of rotation **R** of the instrument. In this third embodiment, and as shown in FIG. **9**, any cross-section **40a** of the first portion **1c** is in the form of a parallelogram and has its centre of mass m_{401a} on the axis of rotation **R** of the instrument. Moreover, in this embodiment, two diagonally opposed cutting edges **52**, **54** of such a cross-section **40a** are located on the envelope **7** of the instrument, while the other pair of diagonally opposed cutting edges **51**, **53** is located set back within the envelope **7**.

In accordance with the invention, the active part **1b** also has a second portion **1d** extending from the end of the first portion **1c** to the rear of the active part **1b**, of which at least one cross-section has a centre of mass which is not located on the axis of rotation **R** of the instrument but which is offset with respect to said axis **R**. In the third embodiment of the invention, and as shown in FIGS. **8** and **10** to **14**, the second portion **1d** has an alternating arrangement of first zones—off-centre zones **11**—in which any cross-section **401b** has a centre of mass m_{401b} offset with respect to the axis of rotation **R** of the instrument and second zones—centred zones **12**—in which any cross-section **402b** has a centre of mass m_{402b} located on the axis of rotation **R** of the instrument. The zone of the second portion **1d** directly adjacent to the first portion **1c** of the active part **1b** of the instrument is an off-centre zone **11** (see FIG. **8**).

FIGS. **11** and **13** each show a cross-section **402b** of a centred zone **12** located along the second portion **1d** of the active part **1b** of the instrument, while FIGS. **10**, **12** and **14** each show a cross-section **401b** of an off-centre zone **11** located along said second portion **1d**.

Preferably, and as shown in FIGS. **11** and **13**, for each cross-section **402b** of a centred zone **12**, two diagonally opposed cutting edges **52**, **54** are located on the envelope **7** of the instrument, while the other pair of diagonally opposed cutting edges **51**, **53** is located set back within the envelope **7**.

In a similar, preferred manner, and as shown in FIGS. **10**, **12** and **14**, for each cross-section **401b** of an off-centre zone **11**, a single cutting edge **52**, **54** appertaining to the pair of diagonally opposed cutting edges **52**, **54** located on the envelope along the first portion **1c** of the active part **1b** of the instrument is located on the envelope **7** of the instrument, while the other cutting edges are located set back within the envelope **7**.

Thus, apart from the alternation between the centred and off-centre zones **12**, **11** on the second portion **1d** of the active part **1b** of the instrument, in this third embodiment, said second portion **1d** also has an alternating arrangement between the cutting edges located on the envelope. The succession of the different zones on the second section **1d** of the instrument in accordance with the third embodiment can be described as follows:

The first zone of the second portion **1d** immediately adjacent to the first portion **1c** of the active part **1b** of the instrument is an off-centre zone **11**. For each cross-section **401b** of this off-centre zone **11**, only one of the two diagonally opposed cutting edges **52**, **54** located on the envelope **7** for any cross-section **40a** of the first portion **1c**—the first cutting edge **52**—is located on the envelope **7** of the instrument, the second

6

of these cutting edges **54** and the second pair of diagonally opposed cutting edges **51**, **53** being set back within the envelope **7** (FIG. **10**);

The second zone is a centred zone **12**. For each cross-section **402b** of this centred zone **12**, the first and second diagonally opposed cutting edges **52**, **54** are again on the envelope **7** of the instrument, the second pair of diagonally opposed edges **51**, **53** still being set back within the envelope **7** (FIG. **11**);

The third zone is again an off-centre zone **11**. However, in this zone the second cutting edge **54** diagonally opposed to the first **52** and which was set back within the envelope on the first zone is now located on the envelope **7**, while the first cutting edge **52** is then located within the envelope **7**, the second pair of diagonally opposed cutting edges **51**, **53** still being set back within the envelope **7** (FIG. **12**).

The following zone shown in FIG. **13** is similar to the first zone and the alternating arrangement thus extends along the second portion **1d** of the active part **1b** of the instrument.

Thus the instrument in accordance with the third embodiment has two cutting edges **52**, **54** which are located on the envelope for any cross-section **40a** of the first portion **1c** of the active part **1b** and for any cross-section **402b** of the centred zones **12** of the second portion **1d** of the active part **1b** but of which at least one of the two is set back within the envelope **7** for any cross-section **401b** of an off-centre zone **11** of the second portion **1d**, two off-centre zones **11** separated by a centred zone **12** not having the same cutting edge on the envelope **7**.

In variations, the second pair of diagonally opposed cutting edges **51**, **53** could be located on the envelope **7** of the instrument for any cross-section of the active part **1b** or for any cross-section of the first portion **1c** or for any centred cross-section **12** of the second portion **1d**. The second pair of diagonally opposed cutting edges **51**, **53** could also follow the same alternating arrangement described above as the first pair of cutting edges **52**, **54** along the second portion **1d** of the active part **1b** of the instrument.

The other considerations relating to the first two embodiments remain valid for this third embodiment.

In particular, the first portion **1c** of the active part preferably extends over a length of 3 millimeters from the point **3** of the active part **1b**. In a still more preferred manner, said first portion **1c** has a length of 1 millimeter.

Thus as in the first two embodiments described above, the instrument in accordance with the third embodiment is effective since it has a point **3** which is centred and does not generate beating in the canal and permits precise shaping of said canal. Said instrument is also flexible at the rear owing to the presence of the off-centre zones on the second portion **1d** of its active part **1b**. However, in contrast to the first two embodiments in which the whole of the second portion **1d** is off-centre and thus may generate a beating motion at the rear of the instrument, the alternating arrangement of centred and off-centre zones as described in the third embodiment makes it possible to ensure that the instrument is flexible while avoiding beating by ensuring the shape of the envelope generated by the instrument in rotation. Thus the instrument in accordance with the third embodiment retains all the advantages described in relation to the first two embodiments while reducing the beating motion at the rear of the instrument, a motion which could reduce the precision and speed of treatment of the dental root canal.

The embodiments presented above describe polygonal cross-sections with straight sides. It is clear that said sides could be curved. Consequently, the term “polygonal” should

be understood in its general sense meaning “which has a plurality of sides” and covering equally a geometric shape with straight or curved sides.

The instrument in accordance with the invention could obviously have other known features such as variable conicity. Similarly, the flutes can be oriented equally to the right or left or even have a variable pitch.

In a general manner, the active part of an instrument in accordance with the invention has, over its whole length, a polygonal cross-section forming at least two cutting edges. The active part is defined by an essentially conical or cylindrical envelope, the longitudinal axis of which coincides with the axis of rotation of the instrument. The active part comprises a first portion extending from the point of the instrument and which is such that any cross-section of this first portion has its centre of mass on the axis of the envelope and defines at least two cutting edges which are all located on said envelope. The active part also comprises a second portion extending following the first portion towards the rear of the active part and which is such that at least one cross-section of this second portion has a centre of mass which is not located on the axis of the envelope but which is offset with respect to this axis and defines cutting edges, of which at least one is located on the envelope and at least one is located set back within said envelope.

The instrument in accordance with the invention thus has a point which is centred with respect to the axis of rotation of the instrument and a rear part, of which at least one cross-section is off-centre. The centred point makes it possible to follow the initial path of the root canal, to avoid any beating motion within said canal in the vicinity of the point and to ensure dimensioning in the preparation of the apical part of the canal. Moreover, the centred point avoids debris descending towards said apical part of the canal and contributes to successful evacuation thereof. This evacuation is further facilitated by the fact that at least one cross-section of the rear part is off-centre: the debris in fact has more space to be carried out of the canal and the off-centring of at least one cross-section of the rear part of the instrument creates a dynamic effect which lifts the debris out of the canal.

Moreover, an instrument in accordance with the present invention makes it possible to ensure strength in the part close to the point in order thus to reduce the risk of breaking the instrument in its most fragile portion. The flexibility of the instrument is not thereby reduced, since the second portion having at least one off-centre cross-section of the instrument makes the instrument flexible and this flexibility can even be progressive towards the rear of the instrument either by adjusting the off-centring of the second portion of the active part of the instrument as described in the case of the first and second embodiments or by alternating centred cross-section with off-centre cross-section along the second portion of the active part of the instrument as described in the third embodiment. Thus the instrument can be rendered sufficiently flexible to follow the complex contour of a dental root canal.

Finally, the active cutting edges of the point of the instrument, i.e. those which are located on the envelope, ensure a good level of efficacy of the instrument. At the rear, the contact zones of the instrument are reduced since some of the edges are located set back within the envelope of the instrument, which makes it possible to reduce the screwing effect and superfluous forces on the rear part of the instrument.

Thus a high-performance instrument is produced having a good balance between efficacy, flexibility and resistance to breaking and to the screwing effect.

The invention claimed is:

1. An instrument for drilling dental root canals comprising:
 - a tapered rod defined by a single continuous taper function and having over at least an active part of its length a polygonal cross-section forming at least two cutting edges, said active part terminating by a point and being defined by an envelope of a cylindrical or conical shape along its entire length, the longitudinal axis of the envelope coinciding with the axis of rotation of the instrument,
 - wherein for any cross-section of the active part, at least one of the at least two cutting edges is located on the envelope,
 - said active part has a first portion extending from the point and a second portion extending following the first portion towards the rear of the active part,
 - any cross-section of the first portion has a center of mass located on the axis of rotation, said at least two cutting edges defined by said cross-section of the first portion being located on the envelope,
 - at least one cross-section of the second portion has a center of mass offset with respect to the axis of rotation, at least one cutting edge defined by said cross-section of the second portion being located set back within the envelope.
2. The instrument as claimed in claim 1, wherein any of the cross-sections of the second portion has a center of mass offset with respect to the axis of rotation, and
 - at least one cutting edge defined by said cross-section of the second portion is located set back within the envelope.
3. The instrument as claimed in claim 2, wherein exactly one cutting edge defined by any of the cross-sections of the second portion of the active part is located on the envelope.
4. The instrument as claimed in claim 3, wherein one of the cross-sections of the second portion of the active part that is located close to the point has a center of mass proportionally closer to the axis of rotation than the center of mass of one of the cross-sections of said second portion that is located at the rear of the active part.
5. The instrument as claimed in claim 2, wherein one of the cross-sections of the second portion of the active part that is located close to the point has a center of mass proportionally closer to the axis of rotation than the center of mass of one of the cross-sections of said second portion that is located at the rear of the active part.
6. The instrument as claimed in claim 1, wherein the second portion has an alternating arrangement of
 - centered zones in which any cross-section has a center of mass on the axis of rotation and said at least two cutting edges defined by said cross-section of the centered zones are located on the envelope, and
 - off-center zones in which any cross-section has a center of mass offset with respect to said axis of rotation and at least one cutting edge defined by said cross-section of the off-center zones is located set back within the envelope.
7. The instrument as claimed in claim 6, wherein the off-center zones alternate between
 - first zones in which for any cross-section a first of the at least two cutting edges defined by said cross-section of the first zones is located set back within the envelope while the second of the at least two cutting edges is located on the envelope, and
 - second zones in which for any cross-section, the second of the at least two cutting edges defined by said

cross-section of the second zones is located set back within the envelope while the first cutting edge is located on the envelope.

8. The instrument as claimed in claim 1, wherein the active part has over its entire length a polygonal cross-section with straight sides. 5

9. The instrument as claimed in claim 1, wherein the first portion of the active part has a square cross-section, and the second portion of the active part has a rectangular cross-section. 10

10. The instrument as claimed in claim 1, wherein the first portion of the active part has a length between 1 and 3 millimeters.

* * * * *