



US00D794205S

(12) **United States Design Patent**
Naber et al.

(10) **Patent No.:** **US D794,205 S**

(45) **Date of Patent:** **** Aug. 8, 2017**

(54) **COT FASTENER**

(71) Applicant: **Stryker Corporation**, Kalamazoo, MI (US)

(72) Inventors: **Brandon David Naber**, Portage, MI (US); **Kurosh Nahavandi**, Portage, MI (US)

(73) Assignee: **Stryker Corporation**, Kalamazoo, MI (US)

(**) Term: **15 Years**

(21) Appl. No.: **29/536,593**

(22) Filed: **Aug. 18, 2015**

(51) **LOC (10) Cl.** **24-01**

(52) **U.S. Cl.**
USPC **D24/184**; D12/14

(58) **Field of Classification Search**
USPC D24/183-184; D12/14, 133, 162, 223, D12/406; 296/19, 20, 65.04, 65.13, 296/65.14, 24.38; 410/7, 8, 77, 66, 69, 410/80, 104; 5/86.1, 511, 611
CPC ... A61G 1/02; A61G 1/04; A61G 1/06; A61G 1/048; A61G 1/013; A61G 1/0212; A61G 1/0237; A61G 1/0262; A61G 1/0293; A61G 1/0567; A61G 3/001; A61G 3/003; A61G 3/02; A61G 3/0236; A61G 3/0245; A61G 3/0254; A61G 3/0272; A61G 3/029; A61G 3/0816; A61G 3/0833; A61G 3/0875; A61G 3/0883; A61G 3/0891; B60N 2/0742; B60N 2/0745; B60N 2/12

See application file for complete search history.

(56) **References Cited**

U.S. PATENT DOCUMENTS

2,558,056 A * 6/1951 Mitchell A61G 3/0891 296/19
3,918,554 A * 11/1975 Bourgraf A61G 3/0891 296/19

5,092,722 A 3/1992 Reazer, III et al.
5,205,601 A 4/1993 Ferris
5,913,559 A 6/1999 Sexton et al.
7,287,794 B2 10/2007 Bourgraf, Jr. et al.
7,478,855 B2 * 1/2009 Lambarth A61G 1/0262 296/20
7,549,690 B2 * 6/2009 Bourgraf A61G 1/06 296/65.04
8,056,950 B2 * 11/2011 Souke A61G 1/04 5/611

(Continued)

FOREIGN PATENT DOCUMENTS

GB 2297730 A 8/1996
WO 2014123692 A1 8/2014
WO 2014124471 A1 8/2014

OTHER PUBLICATIONS

Stryker Corporation Power-Load TM Power-Loading Cot Fastener System Brochure, dated 2011.

Primary Examiner — Ian Simmons

Assistant Examiner — Mark Cavanna

(74) *Attorney, Agent, or Firm* — Warner Norcross & Judd LLP

(57) **CLAIM**

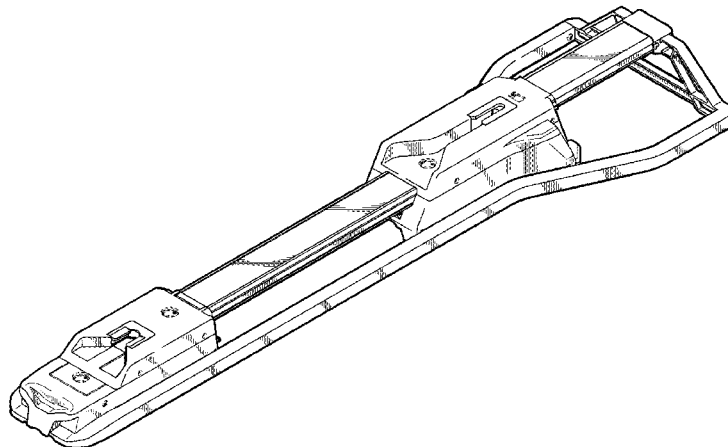
The ornamental design for a cot fastener, as shown and described.

DESCRIPTION

FIG. 1 is a perspective view of a cot fastener; FIG. 2 is a front elevation view thereof; FIG. 3 is a left side elevation view thereof; FIG. 4 is a rear elevation view thereof; FIG. 5 is a right side elevation view thereof; FIG. 6 is a top plan view thereof; and, FIG. 7 is a bottom plan view thereof.

The broken lines represent portions of the structure that forms no part of the claim.

1 Claim, 4 Drawing Sheets



(56)

References Cited

U.S. PATENT DOCUMENTS

8,382,181	B2 *	2/2013	Bourgraf	A61G 3/003 296/65.14
8,439,416	B2 *	5/2013	Lambarth	A61G 1/0262 296/20
8,444,195	B2 *	5/2013	Bourgraf	A61G 3/0272 5/611
RE44,884	E *	5/2014	Lambarth	A61G 1/0567 5/611
9,364,376	B2 *	6/2016	Crawford	A61G 3/0254
9,456,939	B2	10/2016	Lambarth et al.	
9,545,345	B1 *	1/2017	Akers, Jr.	A61G 3/0245
2017/0035628	A1 *	2/2017	Naber	A61G 1/013

* cited by examiner

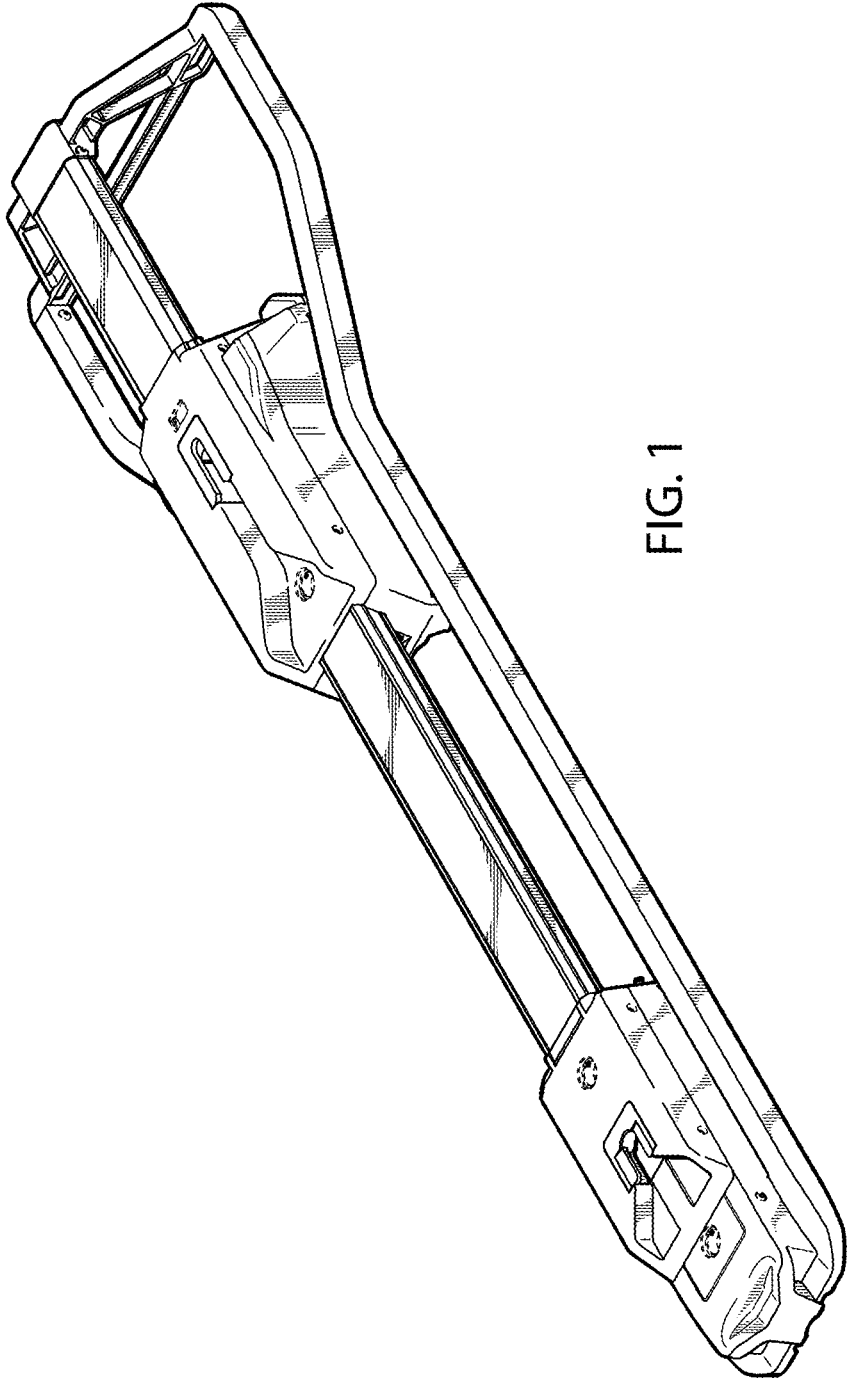


FIG. 1

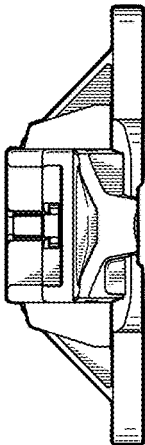


FIG. 2

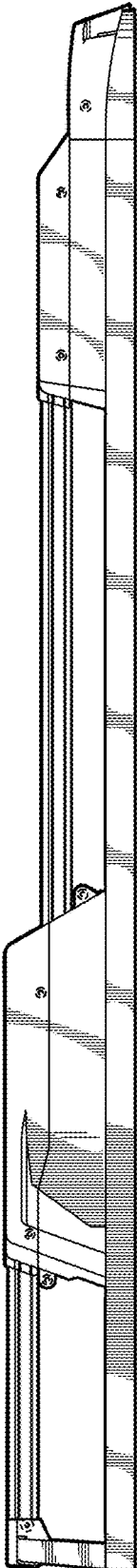


FIG. 3

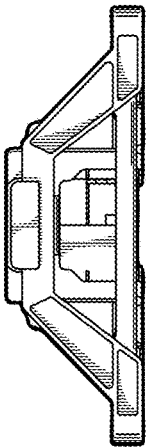


FIG. 4

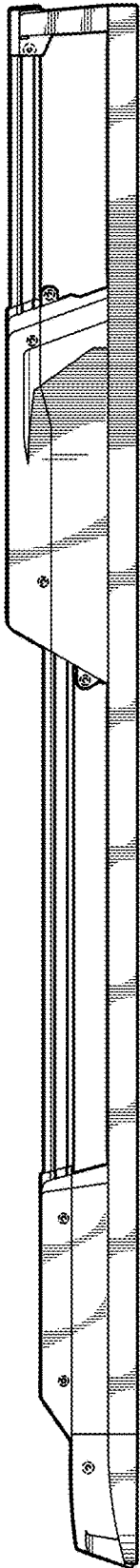


FIG. 5

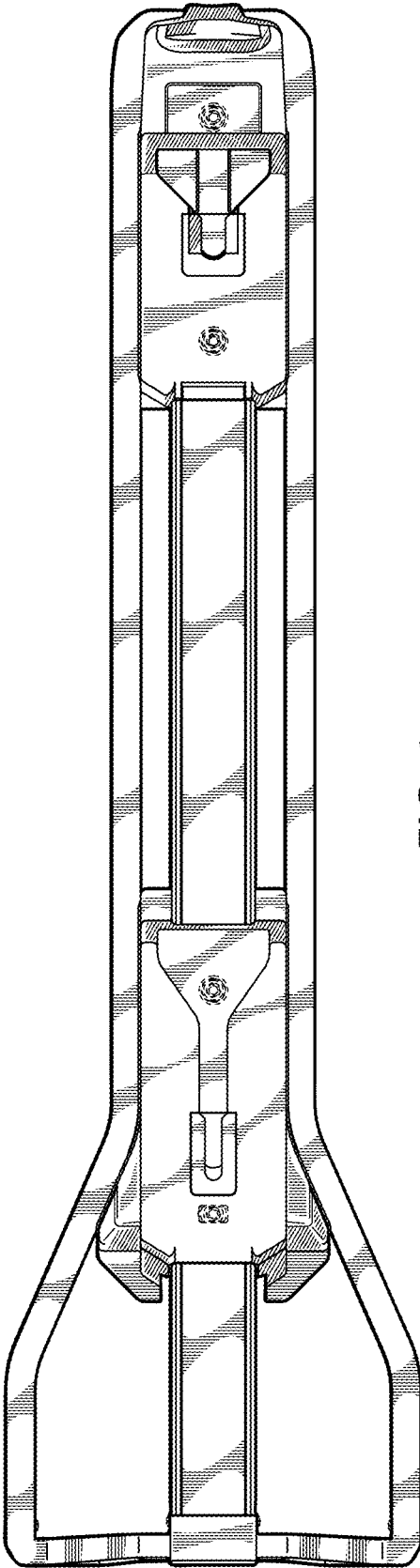


FIG. 6

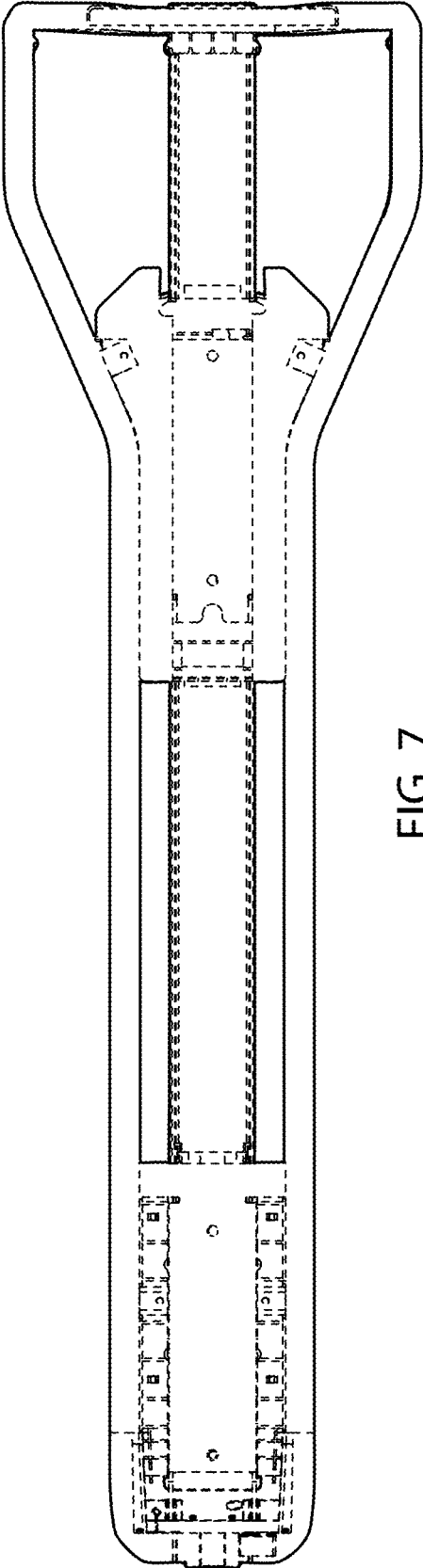


FIG. 7