



US00D875950S

(12) **United States Design Patent**  
**Naber et al.**

(10) **Patent No.:** **US D875,950 S**  
(45) **Date of Patent:** **\*\* Feb. 18, 2020**

(54) **COT FASTENER**

CPC ..... B01F 13/0025; B01J 2219/00292; B01J 2220/64; B01L 3/14; B01L 3/508-50825; B01L 3/52-523

(71) Applicant: **Stryker Corporation**, Kalamazoo, MI (US)

See application file for complete search history.

(72) Inventors: **Brandon David Naber**, Portage, MI (US); **Kurosh Nahavandi**, Portage, MI (US); **Nathan Wray Matheny**, Portage, MI (US); **Michael T. Brubaker**, Portage, MI (US); **Charles Louis Crouch**, Plainwell, MI (US); **Jason James Wroblewski**, Kalamazoo, MI (US); **Clifford Edwin Lambarth**, Portage, MI (US)

(56) **References Cited**

U.S. PATENT DOCUMENTS

2,558,056 A 5/1949 Mitchell  
3,918,554 A 11/1975 Bourgraf et al.  
(Continued)

FOREIGN PATENT DOCUMENTS

GB 2297730 A 8/1996  
WO 2014123692 A1 8/2014  
WO 2014124471 A1 8/2014

OTHER PUBLICATIONS

Stryker Corporation Power-Load TM Power-Loading Cot Fastener System Brochure, dated 2011.

*Primary Examiner* — Vy N Koenig

(74) *Attorney, Agent, or Firm* — Warner Norcross + Judd LLP

(73) Assignee: **Stryker Corporation**, Kalamazoo, MI (US)

(\*\*) Term: **15 Years**

(21) Appl. No.: **29/668,739**

(22) Filed: **Nov. 1, 2018**

**Related U.S. Application Data**

(63) Continuation of application No. 29/613,059, filed on Aug. 7, 2017, now Pat. No. Des. 833,623, which is a continuation of application No. 29/536,593, filed on Aug. 18, 2015, now Pat. No. Des. 794,205, application No. 29/668,739, which is a continuation of application No. 16/025,526, filed on Jul. 2, 2018, which is a continuation of application No. 15/290,004, filed on Oct. 11, 2016, now Pat. No. 10,058,464.

(57) **CLAIM**

The ornamental design for a cot fastener, as shown and described.

**DESCRIPTION**

FIG. 1 is a perspective view of a cot fastener showing the new design;  
FIG. 2 is a front elevation view thereof;  
FIG. 3 is a left side elevation view thereof;  
FIG. 4 is a rear elevation view thereof;  
FIG. 5 is a right side elevation view thereof  
FIG. 6 is a top plan view thereof; and,  
FIG. 7 is a bottom plan view thereof.

(Continued)

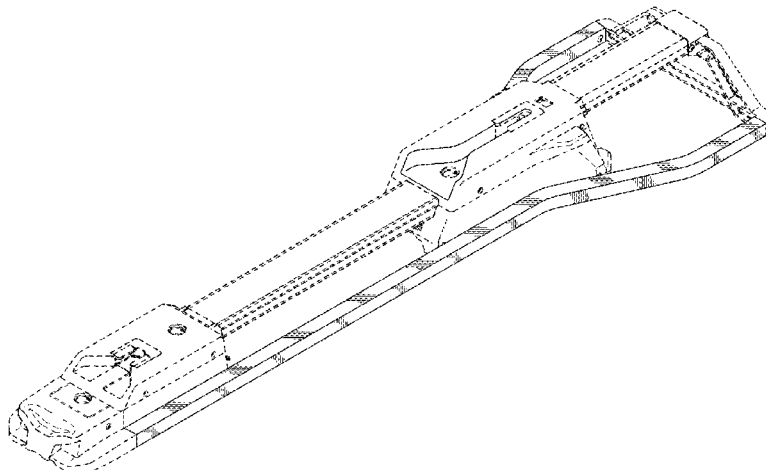
(51) **LOC (12) Cl.** ..... **24-01**

(52) **U.S. Cl.**

USPC ..... **D24/184**

(58) **Field of Classification Search**

USPC ..... D24/107, 108, 113, 114, 121, 133, 183, D24/184, 186, 190-192, 216, 222, 224, D24/225, 226, 227, 228, 229, 230, 231, D24/233; D34/28, 33, 35; D6/382, 383



The broken lines represent portions of the cot fastener that form no part of the claimed design.

**1 Claim, 4 Drawing Sheets**

(56)

**References Cited**

U.S. PATENT DOCUMENTS

5,092,722	A	3/1992	Reazer, III et al.
5,205,601	A	4/1993	Ferris
5,913,559	A	6/1999	Sexton et al.
D507,959	S *	8/2005	Mottini ..... D8/354
7,287,794	B2	10/2007	Bourgraf, Jr. et al.
7,478,855	B2	1/2009	Lambarth et al.
7,549,690	B2	6/2009	Bourgraf et al.
D644,087	S *	8/2011	Gallaty ..... D8/354

D645,967	S	9/2011	Sharps
8,056,950	B2	11/2011	Souke et al.
8,382,181	B2	2/2013	Bourgraf et al.
8,439,416	B2	5/2013	Lambarth et al.
8,444,195	B2	5/2013	Bourgraf et al.
RE44,884	E	5/2014	Lambarth
D753,831	S	4/2016	Tao et al.
9,364,376	B2	6/2016	Crawford et al.
9,456,939	B2	10/2016	Lambarth et al.
9,545,345	B1	1/2017	Akers, Jr.
D780,929	S	3/2017	Nurminen
D794,205	S *	8/2017	Naber ..... D12/14
D803,798	S *	11/2017	Au ..... D13/180
D813,140	S *	3/2018	Stent ..... D12/223
D817,161	S *	5/2018	Hamann ..... D8/375
D833,623	S *	11/2018	Naber ..... D24/184
D839,077	S *	1/2019	Rassat ..... D8/349
2017/0035628	A1	2/2017	Naber et al.

\* cited by examiner

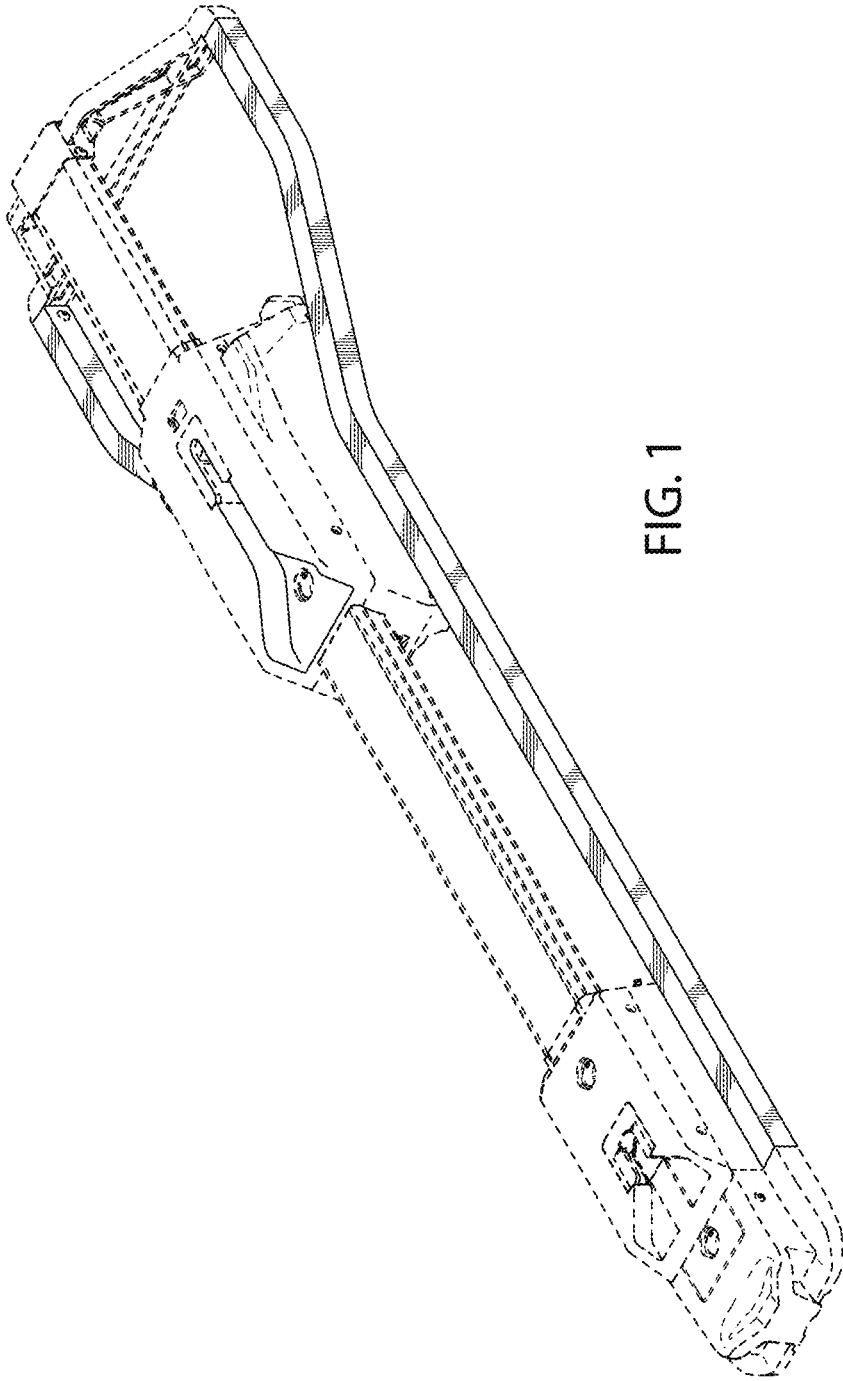


FIG. 1



FIG. 2

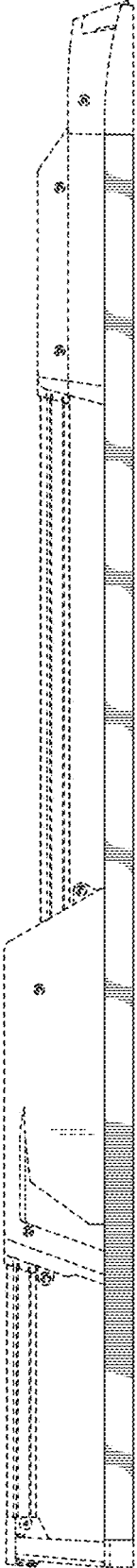


FIG. 3

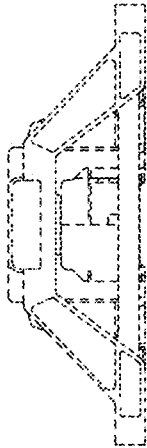


FIG. 4

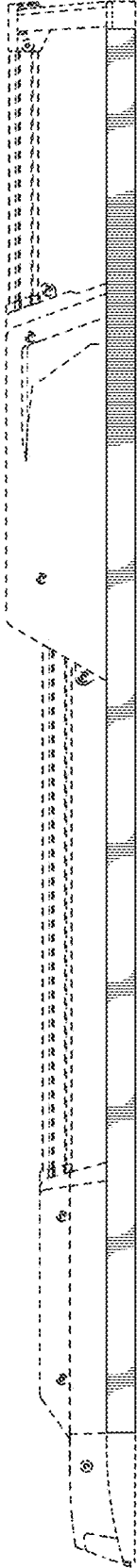


FIG. 5

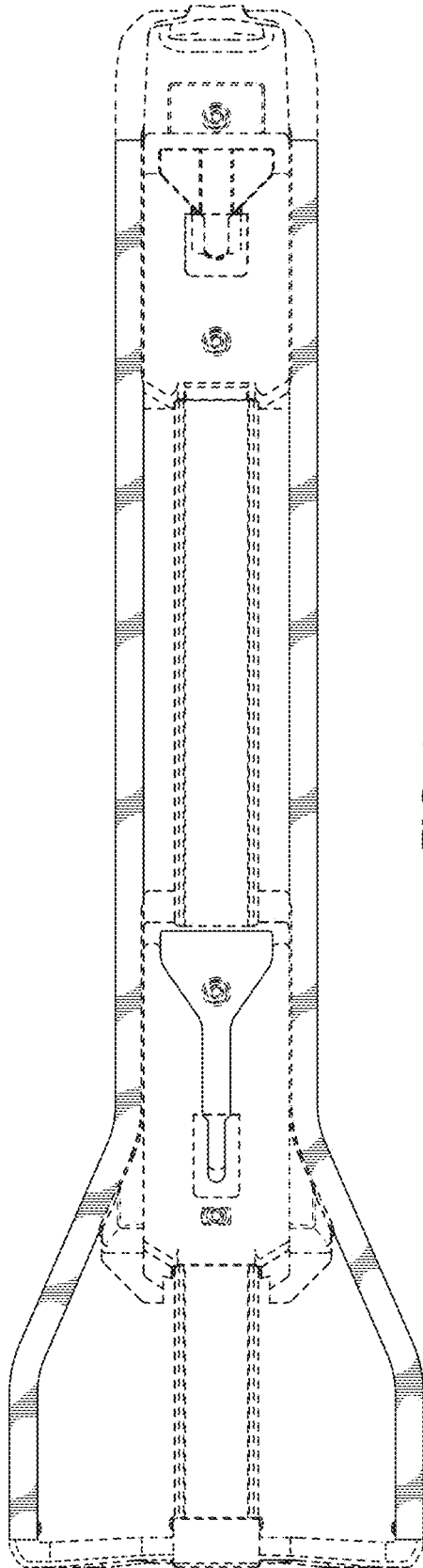


FIG. 6

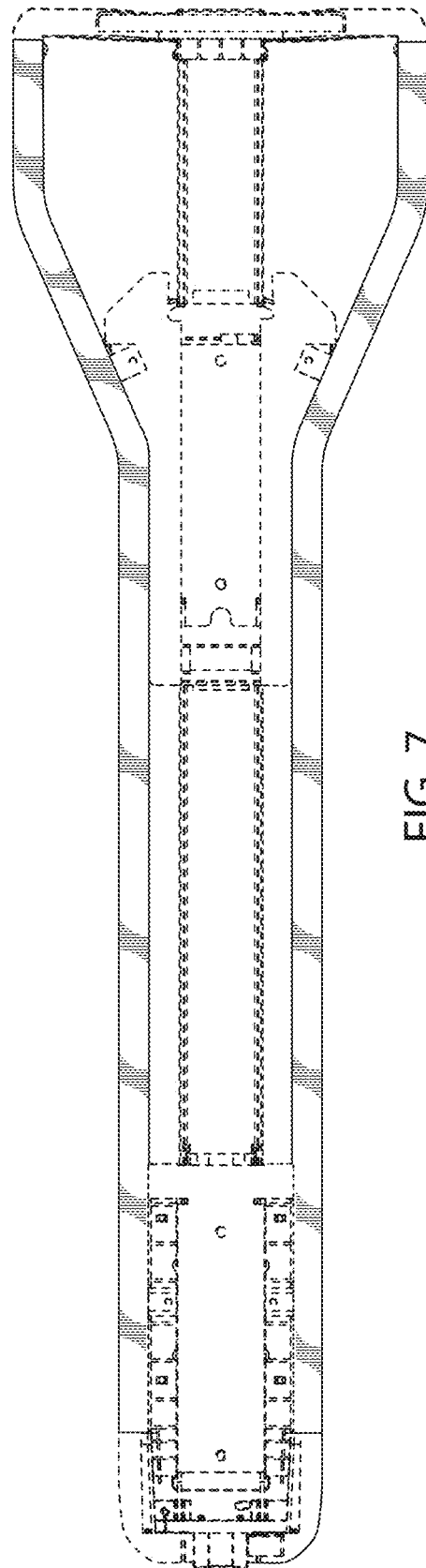


FIG. 7